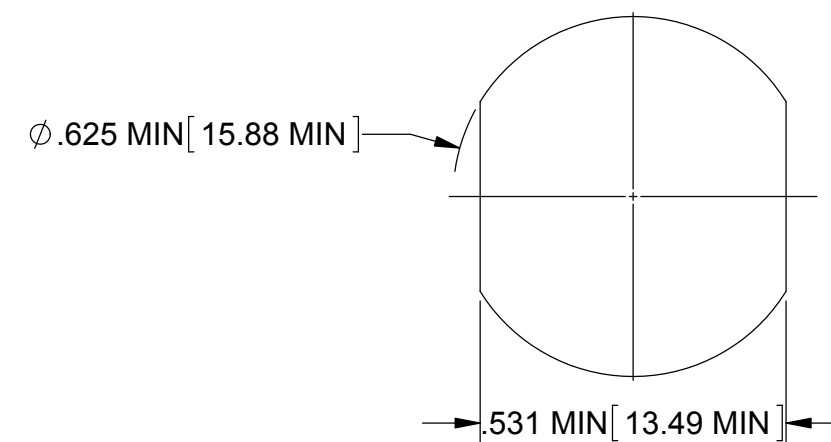
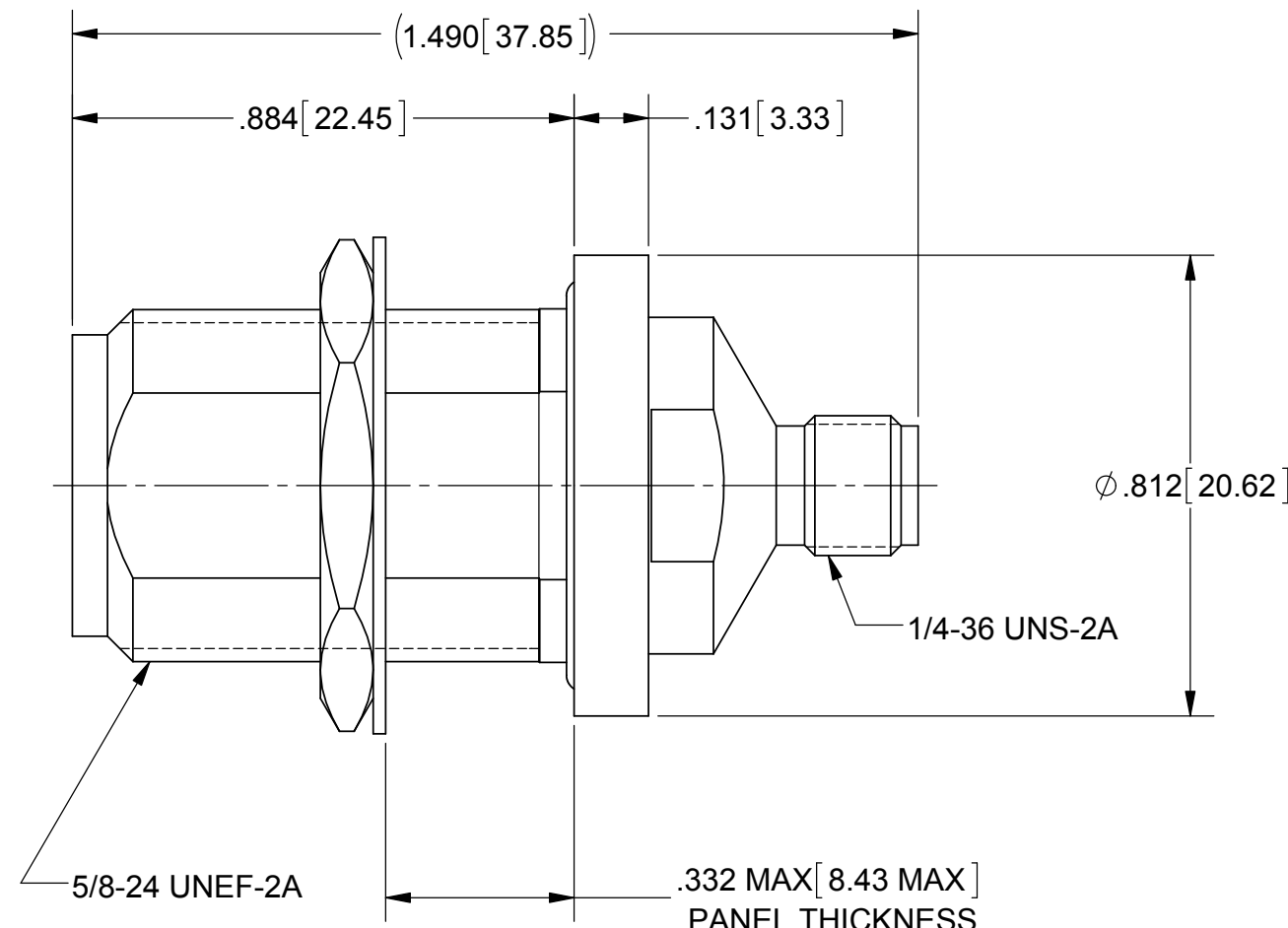
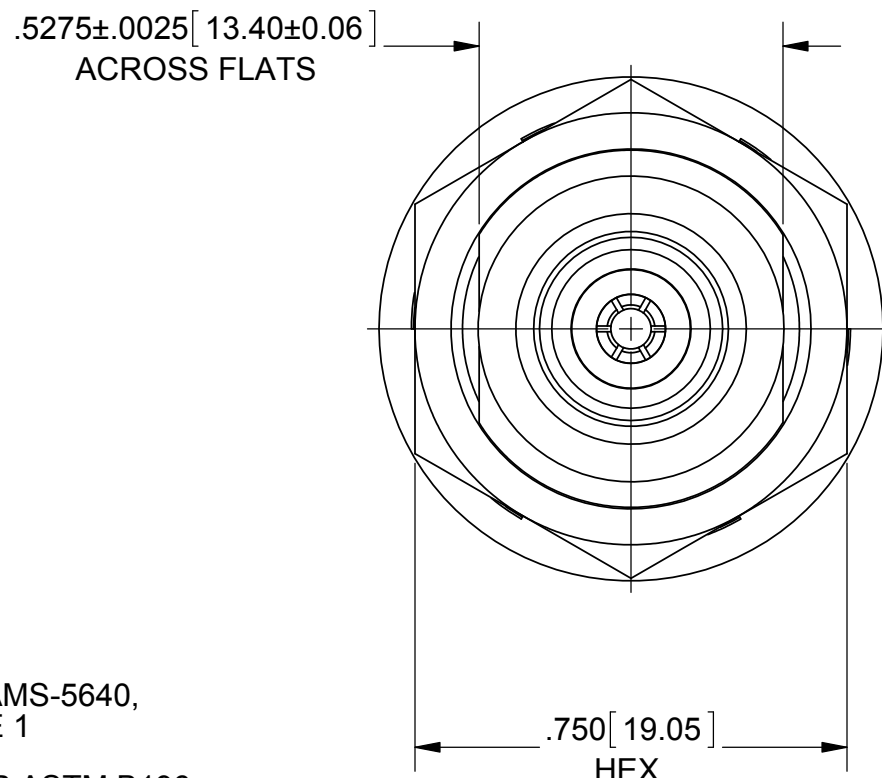
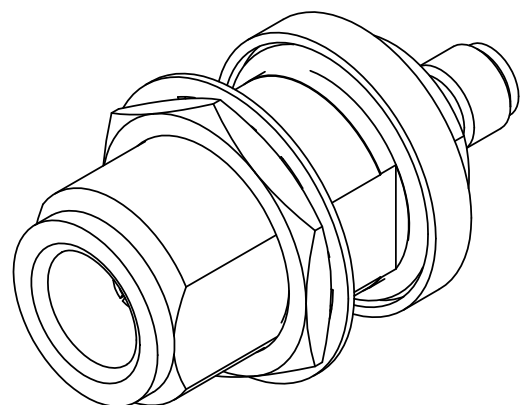


# PRODUCT DATA DRAWING

REVISION HISTORY			
REV	DESCRIPTION	DATE	APPROVED
B	DCN 41727	10/15	DAL



**MATERIAL:**

BODY, SLEEVE,  
LOCK WASHER &  
HEX NUT:

STAINLESS STEEL PER AMS-5640,  
ALLOY UNS S30300, TYPE 1

CONTACTS:

BERYLLIUM COPPER PER ASTM B196,  
ALLOY No. UNS C17300, TD04

INSULATORS::

PTFE PER ASTM D1710, TYPE I, GRADE 1, CLASS B

O-RING:

SILICONE RUBBER PER A-A-59588,  
CLASS 2B, GRADE 50/60

GLASS BEAD:

CORNING #7052 OR EQUIVELANT

PIN:

KOVAR PER ASTM F15

**FINISH:**

BODY, SLEEVE,  
LOCK WASHER &  
HEX NUT

PASSIVATED PER AMS-2700

CONTACTS:

GO LD PER ASTM B488, TYPE II,  
CODE C, CLASS .76, OVER NICKEL  
PER AMS-QQ-N-290, CLASS 1, .00005" MIN.

PIN:

NICKEL PER AMS-QQ-N-290, CLASS 1

**PERFORMANCE:**

IMPEDANCE:  
FREQ. RANGE:

50 OHMS  
DC TO 18.0 GHz

MATERIAL: SEE NOTES	DIMENSIONS ARE IN INCHES TOLERANCES: FRACTIONAL: ±1/64 ANGULAR: X° ±1'0" X"X' ±15'	UNLESS OTHERWISE SPECIFIED 1) ALL DIMENSIONS ARE IN INCHES (MILLIMETERS) 2) ALL DIMENSIONS ARE AFTER PLATING. 3) BREAK CORNERS & EDGES .005 R. MAX. 4) CHAM. 1ST & LAST THREADS. 5) SURFACE ROUGHNESS 63-MIL-STD-10. 6) DIA.'S ON COMMON CENTERS TO BE CONCENTRIC WITHIN .005 T.I.R. 7) REMOVE ALL BURRS	 Amphenol 2400 Centrepark West Drive, Suite 100 West Palm Beach, FL 33409 TITLE: PN JACK TO SMA JACK, HERMETIC SEAL, BLKHD MT ADAPTER SIZE B CAGE CODE 95077 DWG. NO. SF1104-6007 SCALE: 3:1 SHEET 1 OF 1
FINISH: SEE NOTES	DECIMAL: X ±.030 .XX ±.010 .XXX ±.005	INTERPRET DIMENSIONS AND TOLERANCES PER ASME Y14.5M - 1994	
SURFACE AREA: N/A	THIRD ANGLE PROJECTION	DRAWN: GPF 10/02/15	
PROPRIETARY THE INFORMATION CONTAINED IN THIS DRAWING IS THE SOLE PROPERTY OF SV MICROWAVE, INC. ANY REPRODUCTION IN PART OR AS A WHOLE WITHOUT THE WRITTEN PERMISSION OF SV MICROWAVE, INC IS PROHIBITED.		CHECKED: DAL 10/02/15	
		APPROVED: JM 03/01/79	

## X-ON Electronics

Largest Supplier of Electrical and Electronic Components

*Click to view similar products for [RF MIL Spec Connectors](#) category:*

*Click to view products by [Amphenol](#) manufacturer:*

Other Similar products are found below :

[M55339/38-00001](#) [M39012/69-0004](#) [M39012/95-0001](#) [M39012/56B3112](#) [M3933/25-88N](#) [M39012/55-3125](#) [UG-23D/U\(40\)](#) [UG-306/U\(40\)](#)  
[UG-492/U](#) [SMA6251A1-3GT50G-50B](#) [SMA1111A1-3GT50G-1-50](#) [M39012/28-0010](#) [M39012/55B3022](#) [M39012/26-0018](#) [M39012/26-0022](#)  
[M39012/26-0101](#) [M39012/26-0225](#) [SMA1111A2-3GT50G-5-50](#) [SMA1112A5-3GT50G-5-50](#) [SMA1112A6-3GT50G-1-50](#) [M39012/79-3108](#)  
[M39012/79B3001](#) [M39012/80-3107](#) [M39012/55-3030](#) [M39012/56-3126](#) [M55339/02-30001](#) [M55339/28-30001](#) [M55339/28-30002](#)  
[M55339/29-30001](#) [M55339/31-30001](#) [SMA2071A1-3GT50G-50](#) [1102-0003](#) [M39012/26-0011](#) [M39012/26-0012](#) [M39012/26B0006](#)  
[M39012/26B0015](#) [M39012/28-0022](#) [M39012/30-0101](#) [M39012/31-0002](#) [M39012/33-0001](#) [M39012/39-0501](#) [M39012/55-3006](#) [M39012/55-](#)  
[3007](#) [M39012/55-3009](#) [M39012/55-3026](#) [M39012/79-3008](#) [M39012/80B3002](#) [M39012/55-3106](#) [M39012/30-0118](#) [M39012/55-3008](#)