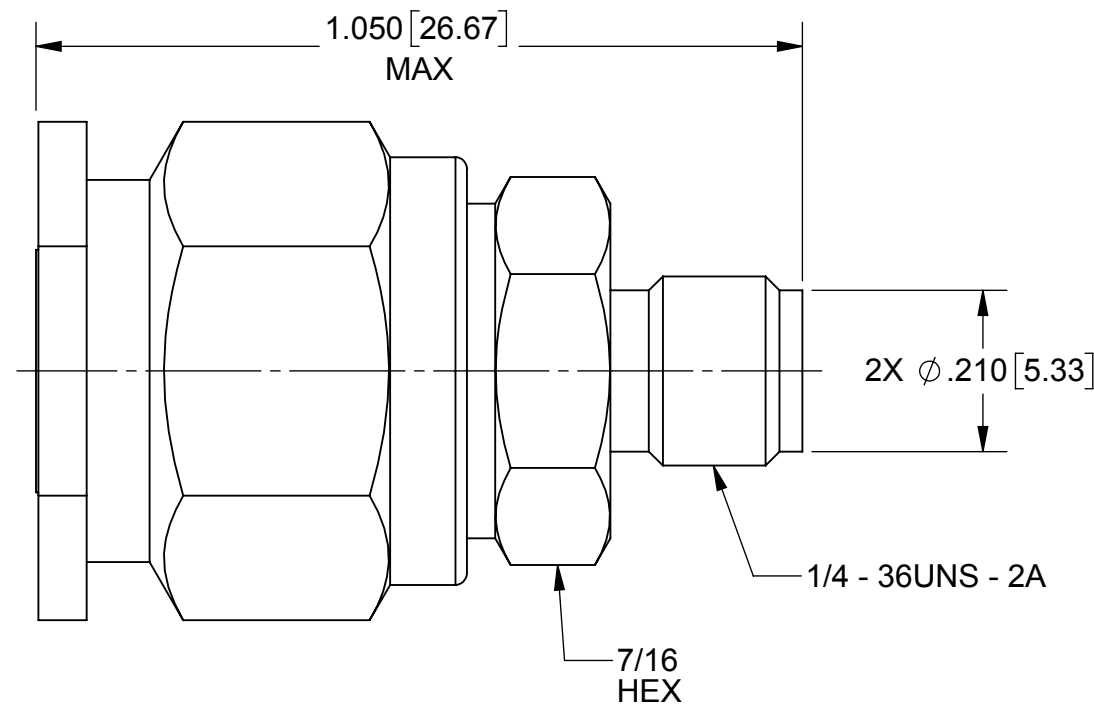
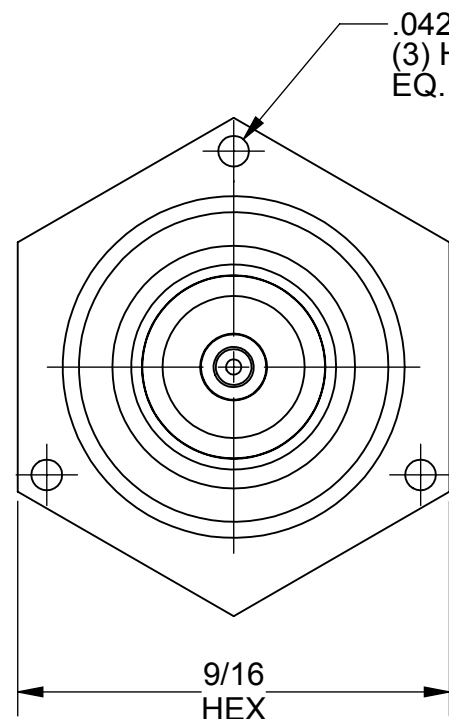


| REVISION HISTORY | | | |
|------------------|-------------|-------|----------|
| REV | DESCRIPTION | DATE | APPROVED |
| A | DCN 43148 | 02/17 | MAL |
| | | | |

PRODUCT DATA DRAWING



MATERIAL:

BODY & COUPLING NUT: STAINLESS STEEL PER AMS-5640, ALLOY UNS S30300, TYPE 1

CONTACT: BERYLLIUM COPPER PER ASTM B196, ALLOY No. UNS C17300, TD04

LOCK RING: PHOSPHOR BRONZE PER ASTM-B196, COND. TD04

INSULATORS: PTFE PER ASTM D1710, TYPE I, GRADE 1, CLASS B

GASKET: SILICONE RUBBER PER A-A-59588, CLASS 2B, GRADE 50/60

FINISH:

BODY & COUPLING NUT: PASSIVATE PER AMS 2700

CONTACT: GOLD PER ASTM B 488, TYPE II, CODE C, CLASS 1.52, OVER NICKEL PER AMS-QQ-N-290, CLASS 1, .00010" MIN.

PERFORMANCE:

IMPEDANCE: 50 OHMS
FREQ. RANGE: DC TO 18 GHz

| | |
|--|-----------|
| MATERIAL: | SEE NOTES |
| FINISH: | SEE NOTES |
| SURFACE AREA: | N/A |
| PROPRIETARY | |
| THE INFORMATION CONTAINED IN THIS DRAWING IS THE SOLE PROPERTY OF SV MICROWAVE, INC. ANY REPRODUCTION IN PART OR AS A WHOLE WITHOUT THE WRITTEN PERMISSION OF SV MICROWAVE, INC IS PROHIBITED. | |

| | |
|--|-----------------------------|
| DIMENSIONS ARE IN INCHES TOLERANCES: | |
| FRACTIONAL: ±1/64 | ANGULAR: X° ±1'0" X°X' ±15' |
| DECIMAL: X ±.030 | .XX ±.010 |
| | .XXX ±.005 |
| INTERPRET DIMENSIONS AND TOLERANCES PER ASME Y14.5M - 1994 | |
| THIRD ANGLE PROJECTION | |
| | |

| | |
|---|--------------|
| UNLESS OTHERWISE SPECIFIED | |
| 1) ALL DIMENSIONS ARE IN INCHES (MILLIMETERS) 2) ALL DIMENSIONS ARE AFTER PLATING. 3) BREAK CORNERS & EDGES .005 R. MAX. 4) CHAM. 1ST & LAST THREADS. 5) SURFACE ROUGHNESS 63 MIL-STD-10. 6) DIA.'S ON COMMON CENTERS TO BE CONCENTRIC WITHIN .005 T.I.R. 7) REMOVE ALL BURRS | |
| DRAWN: | VB 02/28/17 |
| CHECKED: | MAL 02/28/17 |
| APPROVED: | MAL 02/28/17 |

| | |
|--|-------------------------|
| | |
| 2400 Centrepark West Drive, Suite 100 West Palm Beach, FL 33409 | |
| TITLE: PTNC PLUG TO SMA JACK ADAPTER | |
| SIZE: B | CAGE CODE: 95077 |
| DWG. NO.: | SF1109-6005 |
| SCALE: 2:1 | SHEET 1 OF 1 |

X-ON Electronics

Largest Supplier of Electrical and Electronic Components

Click to view similar products for [RF Adapters - Between Series category:](#)

Click to view products by [Amphenol manufacturer:](#)

Other Similar products are found below :

[5945-9503-000](#) [MCX/F-SMA/M](#) [R192417010](#) [ADBJ20-E1-BJ379](#) [ADM2](#) [ADPL75-A1-PL75](#) [242191](#) [9317505](#) [AD130](#) [ADBJ20-E1-PL74](#)
[ADBJ20-E2-BJ79](#) [ADBJ77-E1-UPL20](#) [ADRMF370](#) [242190](#) [242215](#) [242228](#) [R125680000W](#) [R192430000](#) [UAD95](#) [1057367-1](#) [8311505](#)
[R114704000](#) [R451034500](#) [R451030500](#) [R451543000](#) [HDVDPN](#) [ADBJ20-K1-PL20](#) [R451570000](#) [R192419000](#) [R451034000](#) [J9](#) [J3WE-5](#)
[R451032500](#) [242201RP](#) [17K132-K00S5](#) [03K719-S22S3](#) [AD-RSMAF-RTNC](#) [53K156-K00N5](#) [53K160-KIMN1](#) [29S132-K01N5](#) [53S156-](#)
[K00N5](#) [02S119-S00E3](#) [28K132-K00N5](#) [02S109-K00S3](#) [27-8200TP](#) [242235](#) [ADBJ20-E1-BJ89](#) [ADP-SMAF-MMCXM](#) [000-2900](#) [321-102-](#)
[003 \(SMA-50/2-H155/W1.03 AU\)](#)