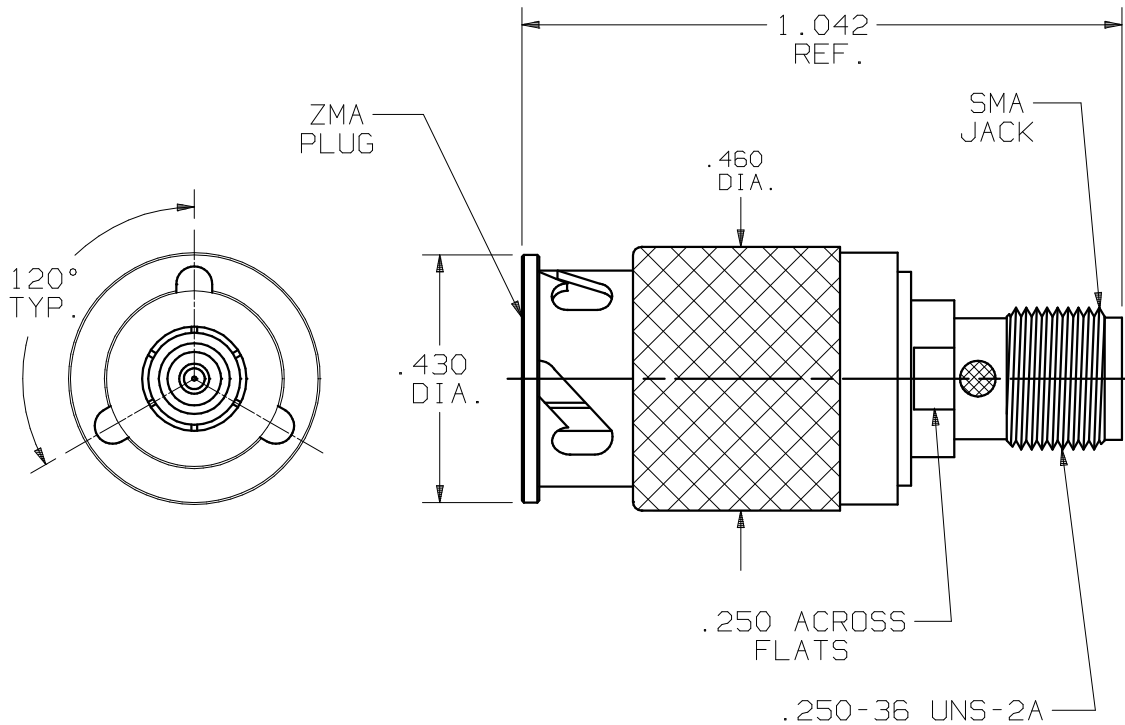


PRODUCT DATA DRAWING

CAD GENERATED DRAWING	DCN CONTROLLED DOCUMENT	DWG. NO. SF1122-6032
-----------------------------	-------------------------------	--------------------------------



MATERIALS:

BODY,
WASHERS,
COUPLING NUT: STAINLESS STEEL PER
AMS-5640, UNS S30300 (TYPE I), COND. A
INSULATOR: TEFLON PER ASTM-D-1457.
CONTACTS &
LOCK RING: BERYLLIUM COPPER PER ASTM-B196
COND. TDO4, ALLOY UNS-C17300.
SPRING: 17-7 PH STAINLESS STEEL.

FINISHES:

BODY,
SPRING,
WASHERS,
COUPLING NUT: PASSIVATE PER QQ-P-35C
CONTACTS: GOLD PER MIL-G-45204, TYPE I,
GRADE C, CLASS 0 OVER NICKEL PER QQ-N-290
CLASS 1

ELECTRICAL:

IMPEDANCE: 50 OHMS
FREQ. RANGE: DC-12.4 GHz
D.W.V.: 1000 VRMS
INSUL. RES.: 5,000 MEGOHMS MIN

SYM.	DESCRIPTION	DATE	APPR.	UNLESS OTHERWISE SPECIFIED:	DIMENSIONS ARE IN INCHES			SV Microwave, Inc. 2400 Centrepark West Drive, Suite 100 West Palm Beach, FL 33409
—	REL. DCN 24935	12/98	JM	1) ALL DIMENSIONS ARE AFTER PLATING. 2) BREAK CORNERS & EDGES .005 R. MAX. 3) CHAM. 1st & LAST THDS. 4) SURFACE ROUGHNESS 63 J MIL-STD-10. 5) DIAS. ON COMMON CENTERS TO BE CONCENTRIC WITHIN .005 T.I.R. 6) REMOVE ALL BURRS.	TOLERANCES: DECIMALS FRACTIONAL ANGULAR .X ±.030 X° ±1°0' .XX ±.015 ±1/64 X°X' ±15' .XXX ±.005			
A	REV. DCN 28217	04/02	STW		MATERIAL: SEE P/L FINISH: SEE P/L AREA: N/A			DWG. NO. SF1122-6032
				DRAWN: VMJ 12/03/98	SIZE	CAGE NO.	SCALE	
				CHECKED: JM 12/04/98	A	95077	3X	
				APPROVED: JM 12/04/98				

X-ON Electronics

Largest Supplier of Electrical and Electronic Components

Click to view similar products for [RF Adapters - Between Series](#) category:

Click to view products by [Amphenol](#) manufacturer:

Other Similar products are found below :

[5945-9503-000](#) [MCX/F-SMA/M](#) [R192417010](#) [ADBJ20-E1-BJ379](#) [ADM2](#) [ADPL75-A1-PL75](#) [242191](#) [9317505](#) [AD130](#) [ADBJ20-E1-PL74](#)
[ADBJ77-E1-UPL20](#) [ADRMF370](#) [242190](#) [242215](#) [242228](#) [R125680000W](#) [R192430000](#) [UAD95](#) [1057367-1](#) [8311505](#) [R114704000](#)
[R451034500](#) [R451030500](#) [R451543000](#) [HDVDPN](#) [ADBJ20-K1-PL20](#) [R451570000](#) [R192419000](#) [R451034000](#) [J9](#) [J3WE-5](#) [R451032500](#)
[242201RP](#) [17K132-K00S5](#) [03K719-S22S3](#) [AD-RSMAF-RTNC](#) [53K156-K00N5](#) [53K160-KIMN1](#) [02K119-K00E3](#) [29S132-K01N5](#) [53S156-](#)
[K00N5](#) [02S119-S00E3](#) [28K132-K00N5](#) [02S109-K00S3](#) [27-8200TP](#) [242235](#) [ADBJ20-E1-BJ89](#) [ADP-SMAF-MMCXM](#) [000-2900](#) [321-102-](#)
[003 \(SMA-50/2-H155/W1.03 AU\)](#)