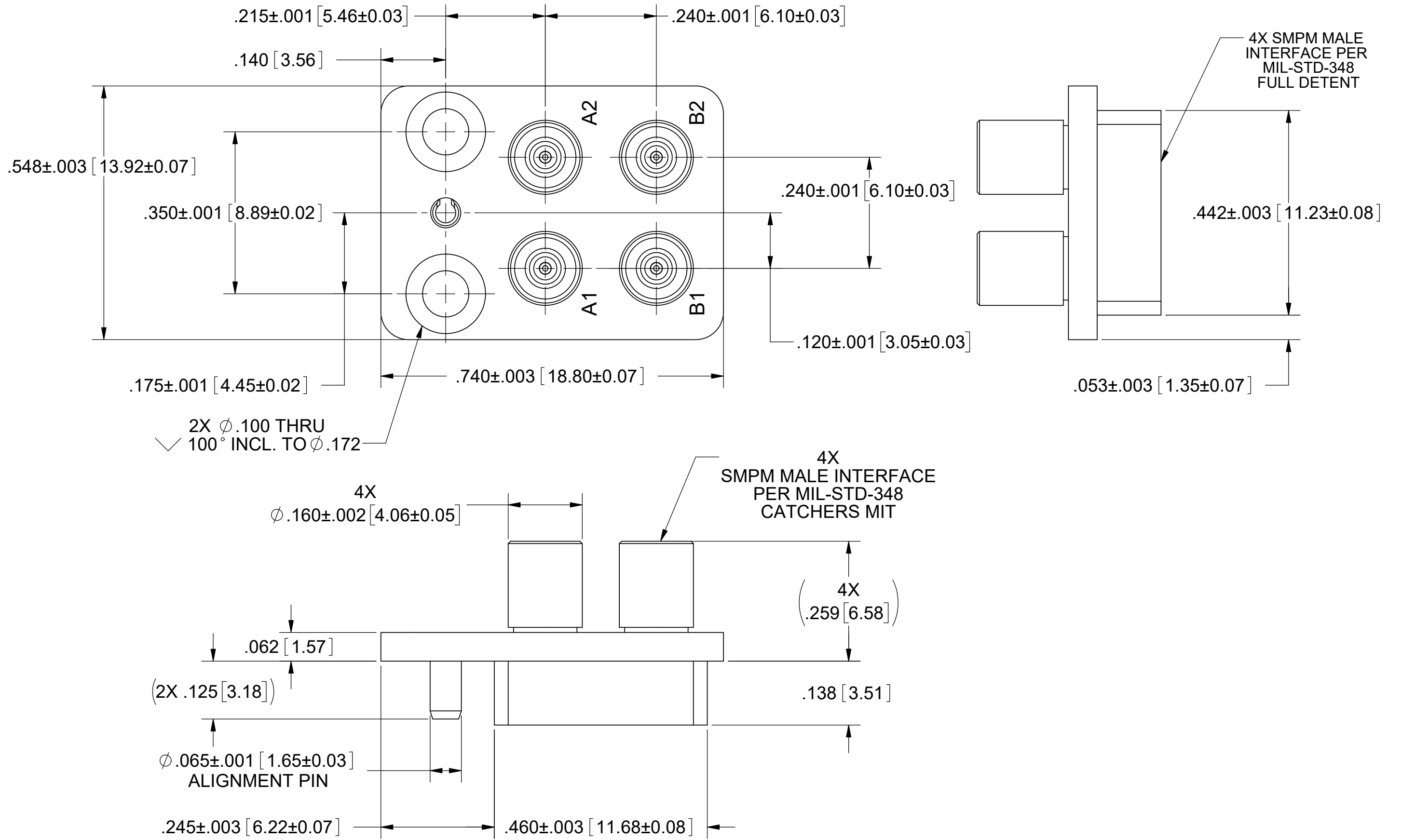


PRODUCT DATA DRAWING

REVISION HISTORY			
REV.	DESCRIPTION	DATE	APPROVED
B	DCN 42423	06/16	STW
C	DCN 48135	11/18	STW



MATERIAL:

FLANGE: STAINLESS STEEL PER AMS-5640, ALLOY UNS S30300, TYPE 1.

SPRING PINS: STAINLES STEEL PER ASTM A313, ALLOY UNS S30200, TYPE 302.

CONTACTS & SMPM BODIES: BERYLLIUM COPPER PER ASTM B196, ALLOY No. UNS C17300, TD04.

INSULATORS: PTFE PER ASTM D1710, TYPE I, GRADE 1, CLASS B.

FINISH:

FLANGE & SPRING PINS: PASSIVATED PER AMS-2700.

CONTACTS & SMPM BODIES: GOLD PER ASTM B488, TYPE II, CODE C, CLASS 1.27, OVER NICKEL PER AMS-QQ-N-290, CLASS 1, .00005" MIN.

PERFORMANCE:

IMPEDANCE: 50 OHMS

FREQ. RANGE: DC TO 18.0 GHZ

VSWR: 1.30:1 DC TO 18.0 GHZ

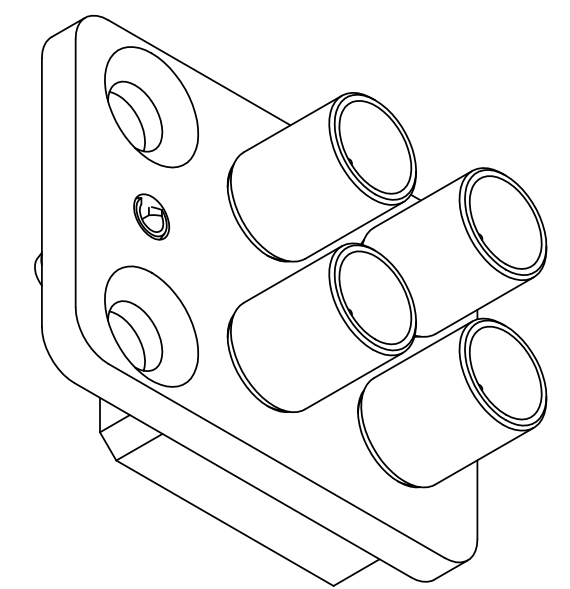
INSERTION LOSS: .03 X SQRT(F IN GHZ))

DWV: 1000 VRMS

OPERATING TEMP.: -55°C TO +125°C

ENGAGEMENT: 2.5 LBS MIN CATCHERS MIT
4.5 LBS MIN FULL DETENT

DISENGAGEMENT: 1.5 LBS MAX. CATCHERS MIT
6.5 LBS MAX. FULL DETENT



MATERIAL: SEE NOTES

FINISH: SEE NOTES

DO NOT SCALE DRAWING

PROPRIETARY

THE INFORMATION CONTAINED IN THIS DRAWING IS THE SOLE PROPERTY OF SV MICROWAVE, INC. ANY REPRODUCTION IN PART OR AS A WHOLE WITHOUT THE WRITTEN PERMISSION OF SV MICROWAVE, INC. IS PROHIBITED.

DIMENSIONS ARE IN INCHES

TOLERANCES:

ANGULAR: $\pm 1^\circ$

ONE PLACE DECIMAL $\pm .030$

TWO PLACE DECIMAL $\pm .010$

THREE PLACE DECIMAL $\pm .005$

INTERPRET DIMENSIONS AND TOLERANCES PER ASME Y14.5M - 1994

THIRD ANGLE PROJECTION

UNLESS OTHERWISE SPECIFIED:

- ALL DIMENSIONS ARE AFTER PLATING.
- BREAK CORNERS & EDGES R.005 MAX.
- CHAMFER 1ST AND LAST THREAD.
- SURFACE ROUGHNESS 63 PER MIL-STD-10.
- DIA'S ON COMMON CENTERS TO BE CONCENTRIC WITHIN .005 T.I.R.
- REMOVE ALL BURRS.

DRAWN: JMC 01/05/11

CHECKED: STW 01/06/11

APPROVED: STW 01/06/11

E.M. SIMULATION: N/A

SV Microwave, Inc.[®]

2400 Centrepark West Drive, Suite 100
West Palm Beach, FL 33409

TITLE: VITA 67.1 BACKPLANE
4 PORT MODULE

SIZE	CAGE CODE	DWG. NO.
C	95077	SF1132-6037

SCALE: 5:1

SHEET 1 OF 1

X-ON Electronics

Largest Supplier of Electrical and Electronic Components

Click to view similar products for [RF Adapters - Between Series](#) category:

Click to view products by [Amphenol](#) manufacturer:

Other Similar products are found below :

[5945-9503-000](#) [MCX/F-SMA/M](#) [R192417010](#) [ADBJ20-E1-BJ379](#) [ADM2](#) [ADPL75-A1-PL75](#) [242191](#) [9317505](#) [29-3835P](#) [AD130](#) [ADBJ20-E1-PL74](#) [ADBJ77-A1PL3155](#) [ADBJ77-E1-UPL20](#) [ADRMF370](#) [242190](#) [242215](#) [242228](#) [R125680000W](#) [R192430000](#) [UAD95](#) [1057367-1](#) [8311505](#) [R114704000](#) [R451034500](#) [R451030500](#) [R451543000](#) [HDVDPN](#) [ADBJ20-K1-PL20](#) [R451570000](#) [R192419000](#) [R451034000](#) [J9](#) [J3WE-5](#) [R451032500](#) [242201RP](#) [17K132-K00S5](#) [03K719-S22S3](#) [AD-RSMAF-RTNC](#) [53K156-K00N5](#) [53K160-KIMN1](#) [02K119-K00E3](#) [29S132-K01N5](#) [53S156-K00N5](#) [02S119-S00E3](#) [28K132-K00N5](#) [02S109-K00S3](#) [27-8200TP](#) [242235](#) [ADBJ20-E1-BJ89](#) [ADP-SMAF-MMCXM](#)