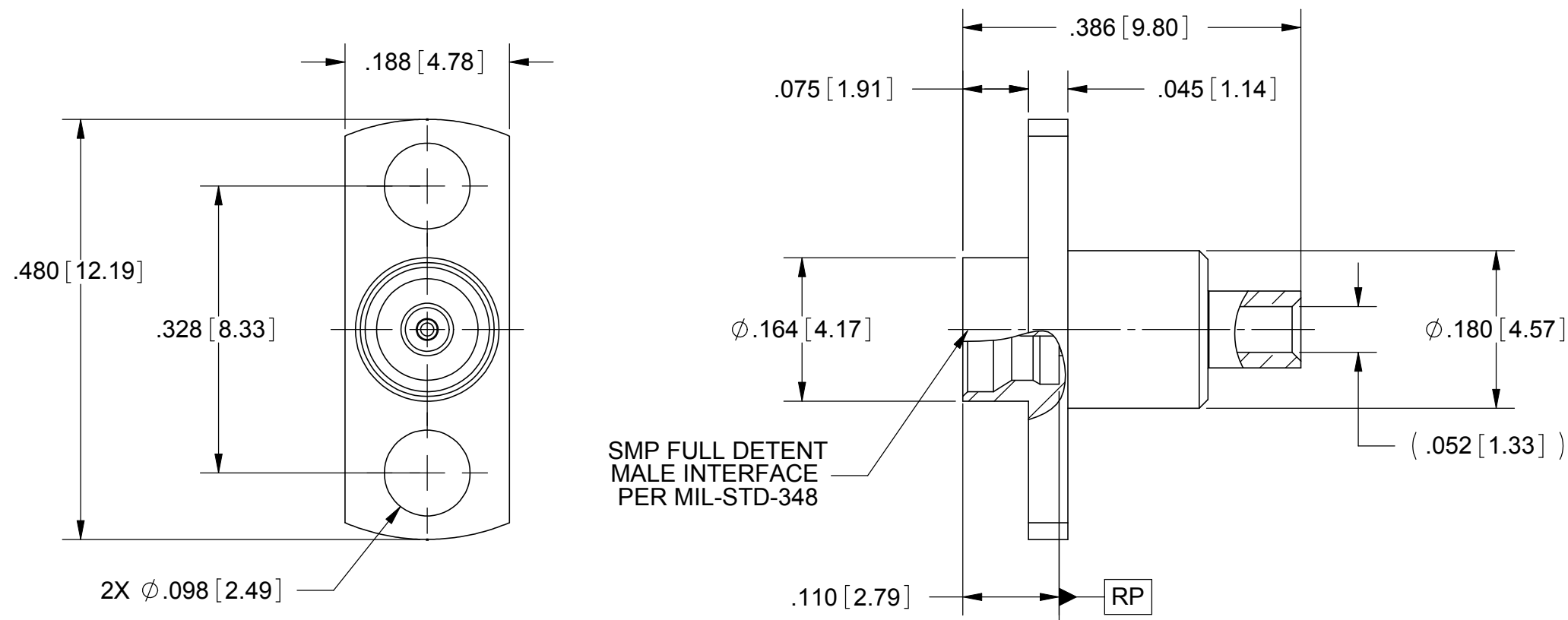


# PRODUCT DATA DRAWING

| REVISION HISTORY |                |          |          |
|------------------|----------------|----------|----------|
| REV              | DESCRIPTION    | DATE     | APPROVED |
| -                | REL. NRN 31512 | 06/04    | STW      |
| A                | REV. DCN 37346 | 02/03/10 | PJS      |



**MATERIAL:**

**BODY:** STAINLESS STEEL PER AMS-5640, ALLOY UNS S30300, TYPE 1

**CONTACT & FERRULE:** BERYLLIUM COPPER PER ASTM B196, ALLOY No. UNS C17300, TD04

**INSULATOR:** PTFE PER ASTM D1710, TYPE I, GRADE 1, CLASS B

**FINISH:**

**BODY:** PASSIVATED PER AMS-2700.

**CONTACT & FERRULE:** GOLD PER ASTM B488, TYPE II, CODE C, CLASS 1.27, OVER NICKEL PER AMS-QQ-N-290, CLASS 1, .00005" MIN.

**PERFORMANCE:**

**IMPEDANCE:** 50 OHMS  
**FREQ. RANGE:** DC TO 18.0 GHz  
**VSWR:** 1.15:1 DC TO 18.0 GHz  
**INSERTION LOSS:** .03 X SQRT(F(F IN GHz))  
**DWV:** 500 VRMS  
**OPERATING TEMP.:** -55 °C TO +125 °C

|   |  |   |   |
|---|--|---|---|
| MATERIAL: SEE NOTES   | DIMENSIONS ARE IN INCHES TOLERANCES:<br>FRACTIONAL: ±1/64 ANGULAR: X° ±1'0"<br>X'X' ±15' | UNLESS OTHERWISE SPECIFIED<br>1) ALL DIMENSIONS ARE IN INCHES (MILLIMETERS)<br>2) ALL DIMENSIONS ARE AFTER PLATING<br>3) BREAK CORNERS & EDGES .005 R. MAX.<br>4) CHAM. 1ST & LAST THREADS.<br>5) SURFACE ROUGHNESS 63-MIL-STD-10.<br>6) DIA. 'S ON COMMON CENTERS TO BE CONCENTRIC WITHIN .005 T.I.R.<br>7) REMOVE ALL BURRS | <b>SV Microwave, Inc.</b><br>2400 Centrepark West Drive, Suite 100<br>West Palm Beach, FL 33409 |
| FINISH: SEE NOTES   | DECIMAL: X ±.030<br>.XX ±.010<br>.XXX ±.005  | INTERPRET DIMENSIONS AND TOLERANCES PER ASME Y14.5M - 1994  | TITLE: SMP MALE 2 HOLE FL. MT. FOR Ø.047 S/R CABLE  |
| SURFACE AREA: N/A   | THIRD ANGLE PROJECTION   | DRAWN: JMC 06/02/04   | SIZE: B CAGE CODE: 95077 DWG. NO.: SF1233-6000  |
| PROPRIETARY<br>THE INFORMATION CONTAINED IN THIS DRAWING IS THE SOLE PROPERTY OF SV MICROWAVE, INC. ANY REPRODUCTION IN PART OR AS A WHOLE WITHOUT THE WRITTEN PERMISSION OF SV MICROWAVE, INC IS PROHIBITED. |  | CHECKED: STW 06/02/04   | SCALE: 6:1 SHEET 1 OF 1   |
|   |  | APPROVED: STW 06/02/04  |   |

## X-ON Electronics

Largest Supplier of Electrical and Electronic Components

*Click to view similar products for [RF Connectors / Coaxial Connectors](#) category:*

*Click to view products by [Amphenol](#) manufacturer:*

Other Similar products are found below :

[8915-1511-000](#) [89674-0827](#) [6001-7071-019](#) [6002-7051-003](#) [6002-7551-202](#) [6059674-1](#) [619550-1](#) [630059-000](#) [M39030/3-01N](#) [M3933/25-36N](#) [6500-7071-046](#) [6769](#) [CX050L2AQ](#) [7002-1542-011](#) [7004-1512-000](#) [7009-1511-004](#) [7010-1511-000](#) [7029-1511-060](#) [7101-1541-010](#) [7101-1571-002](#) [7105-1521-002](#) [7145-1521-002](#) [7203-1571-003](#) [7209-1511-011](#) [7210-1511-015](#) [7210-1511-019](#) [73137-5015](#) [73216-2241](#) [7325-1512-000](#) [73404-2300](#) [7405-1521-005](#) [7405-1521-802](#) [7406-1521-005](#) [8527](#) [8547](#) [FS11V](#) [8808-1511-001](#) [9049-9513-000](#) [9074-9513-000](#) [9101-9573-002](#) [910A205F](#) [9130-9573-002](#) [PL11SC-026](#) [PL375-33](#) [PL40-5](#) [PL71-9](#) [PL74C-221](#) [PL75MC-217](#) [PL803-7](#) [980-8666-005](#)