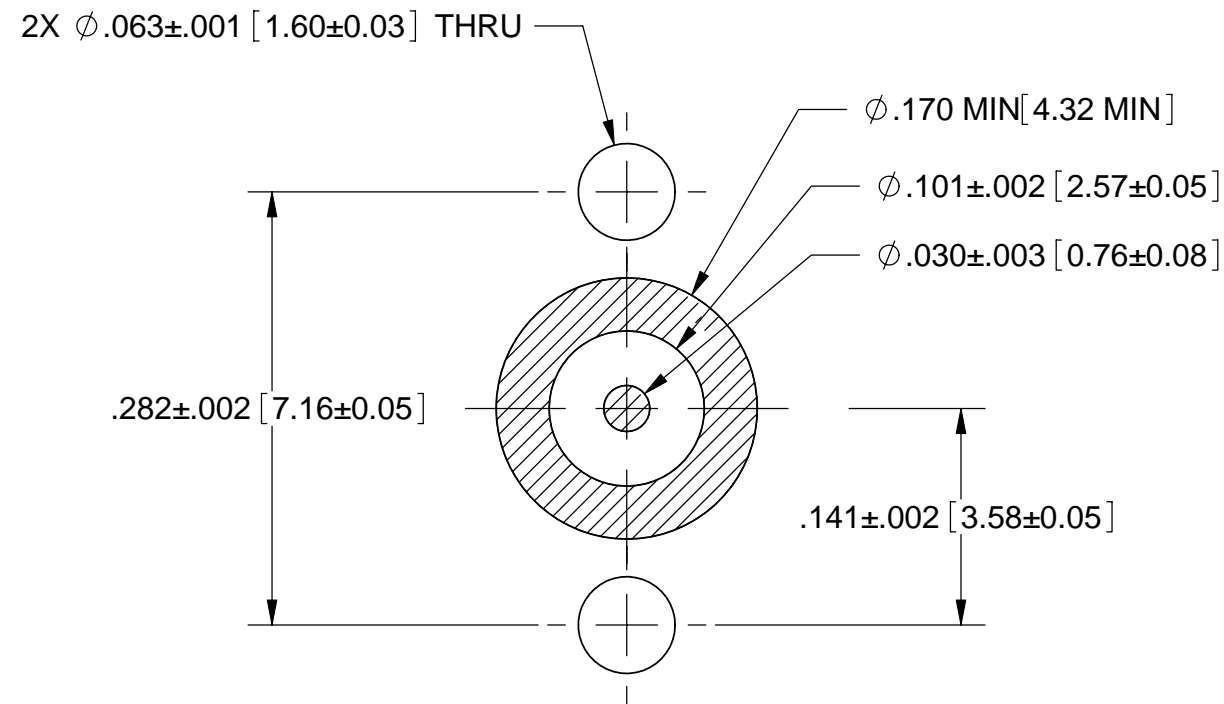
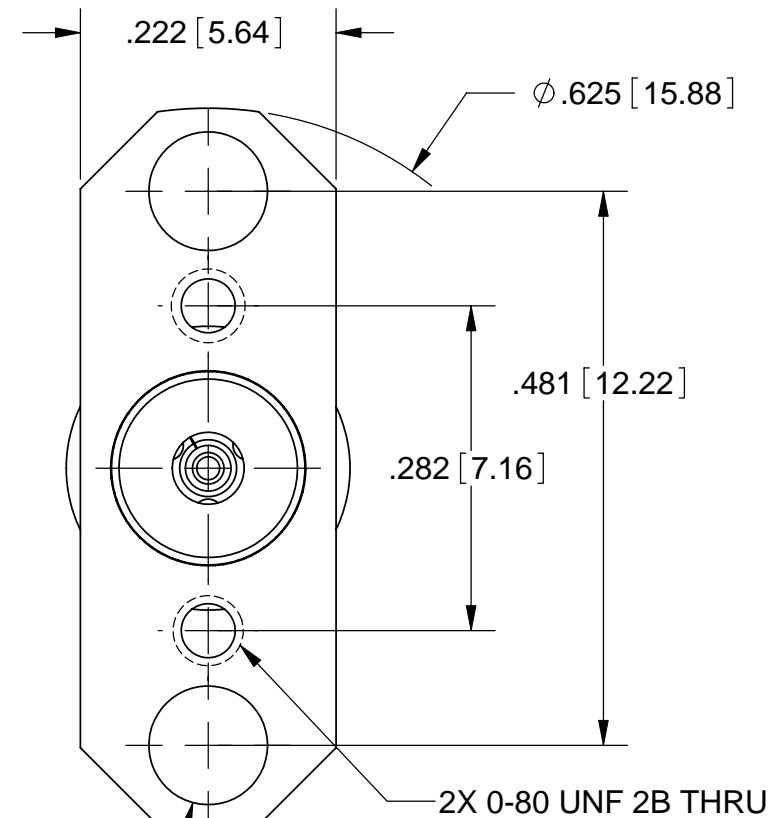
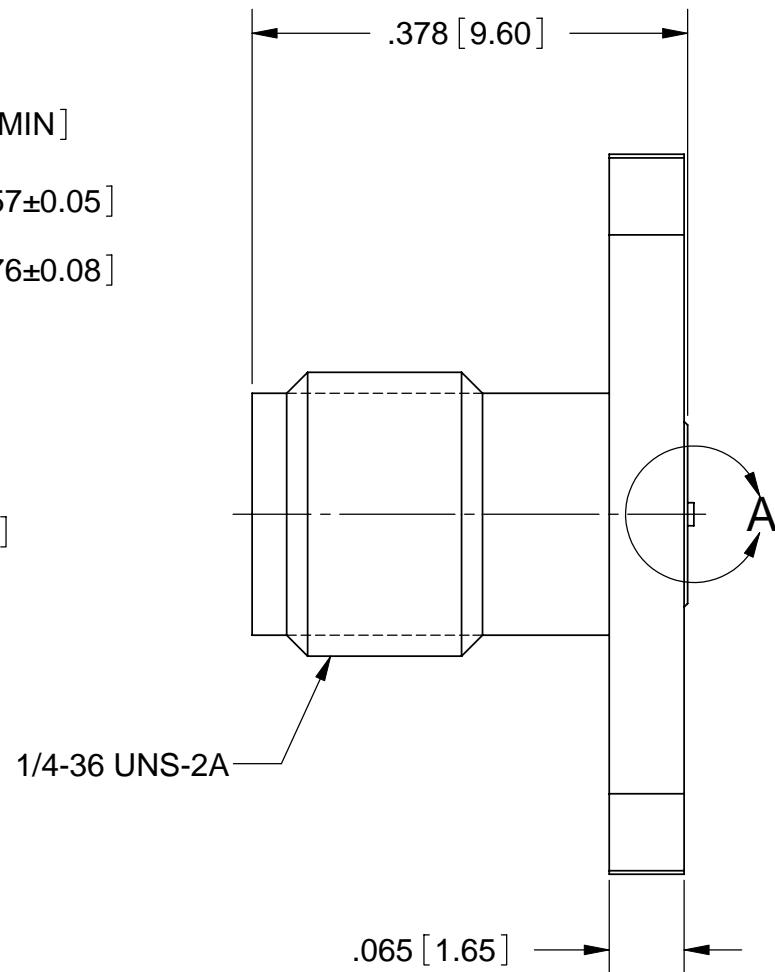


PRODUCT DATA DRAWING

| REVISION HISTORY | | | |
|------------------|----------------|----------|----------|
| REV | DESCRIPTION | DATE | APPROVED |
| - | REL. DCN 36637 | 04/02/09 | STW |
| | | | |
| | | | |



RECOMMENDED PCB LAYOUT



2X Ø.103±.003 [2.62±0.08] THRU

DETAIL A
SCALE 20 : 1

- MATERIAL:**
- BODY & INSERT:** STAINLESS STEEL PER AMS-5640, ALLOY UNS S30300, TYPE 1
- CONTACT:** BERYLLIUM COPPER PER ASTM B196, ALLOY No. UNS C17300, TD04
- INSULATOR:** ULTEM PER ASTM D5205
- FINISH:**
- BODY & INSERT:** PASSIVATED PER AMS-2700.
- CONTACT:** GOLD PER ASTM B488, TYPE II, CODE C, CLASS 1.27, OVER NICKEL PER AMS-QQ-N-290, CLASS 1, .00005" MIN.
- PERFORMANCE:**
- IMPEDANCE:** 50 OHMS
- FREQ. RANGE:** DC TO 40.0 GHz
- VSWR:** 1.30:1 DC TO 40.0 GHz
- INSERTION LOSS:** .05 X SQRT(F(F IN GHz))
- DWV:** 500 VRMS
- ENGAGEMENT/ DISENGAGEMENT:** 2 IN-LBS

| | |
|--|-----------|
| MATERIAL: | SEE NOTES |
| FINISH: | SEE NOTES |
| SURFACE AREA: | N/A |
| PROPRIETARY | |
| THE INFORMATION CONTAINED IN THIS DRAWING IS THE SOLE PROPERTY OF SV MICROWAVE, INC. ANY REPRODUCTION IN PART OR AS A WHOLE WITHOUT THE WRITTEN PERMISSION OF SV MICROWAVE, INC IS PROHIBITED. | |

| | |
|--|-------------------------------------|
| DIMENSIONS ARE IN INCHES TOLERANCES: | |
| FRACTIONAL: | ±1/64 ANGULAR: X° ±1'0" X"X' ±15' |
| DECIMAL: | .X ±.030 .XX ±.010 .XXX ±.005 |
| INTERPRET DIMENSIONS AND TOLERANCES PER ASME Y14.5M - 1994 | |
| THIRD ANGLE PROJECTION | |
| | |

| | |
|---|--------------|
| UNLESS OTHERWISE SPECIFIED | |
| 1) ALL DIMENSIONS ARE IN INCHES (MILLIMETERS) 2) ALL DIMENSIONS ARE AFTER PLATING. 3) BREAK CORNERS & EDGES .005 R. MAX. 4) CHAM. 1ST & LAST THREADS. 5) SURFACE ROUGHNESS 63-MIL-STD-10. 6) DIA.'S ON COMMON CENTERS TO BE CONCENTRIC WITHIN .005 T.I.R. 7) REMOVE ALL BURRS | |
| DRAWN: | JMC 04/02/09 |
| CHECKED: | STW 04/02/09 |
| APPROVED: | STW 04/02/09 |

| | |
|--|---------------------------|
| SV Microwave, Inc. | |
| 2400 Centrepark West Drive, Suite 100 West Palm Beach, FL 33409 | |
| TITLE: 2.92MM JACK 2HOLE FL MT W/ 0-80 UNF THD | |
| SIZE | CAGE CODE DWG. NO. |
| B | 95077 SF1521-60013 |
| SCALE: 6:1 | SHEET 1 OF 1 |

X-ON Electronics

Largest Supplier of Electrical and Electronic Components

Click to view similar products for [RF Connectors / Coaxial Connectors](#) category:

Click to view products by [Amphenol](#) manufacturer:

Other Similar products are found below :

[8915-1511-000](#) [89674-0827](#) [6001-7071-019](#) [6002-7051-003](#) [6002-7551-202](#) [6059674-1](#) [619550-1](#) [630059-000](#) [M39030/3-01N](#) [M3933/25-36N](#) [6500-7071-046](#) [6769](#) [CX050L2AQ](#) [7002-1542-011](#) [7004-1512-000](#) [7009-1511-004](#) [7010-1511-000](#) [7029-1511-060](#) [7101-1541-010](#) [7101-1571-002](#) [7105-1521-002](#) [7145-1521-002](#) [7203-1571-003](#) [7209-1511-011](#) [7210-1511-015](#) [7210-1511-019](#) [73137-5015](#) [73216-2241](#) [7325-1512-000](#) [73404-2300](#) [7405-1521-005](#) [7405-1521-802](#) [7406-1521-005](#) [8527](#) [8547](#) [FS11V](#) [8808-1511-001](#) [9049-9513-000](#) [9074-9513-000](#) [9101-9573-002](#) [910A205F](#) [9130-9573-002](#) [PL11SC-026](#) [PL375-33](#) [PL40-5](#) [PL71-9](#) [PL74C-221](#) [PL75MC-217](#) [PL803-7](#) [980-8666-005](#)