

2.4MM SERIES

2.4mm Interface at a Glance

The 2.4mm connector was developed for use to 50 GHz. This connector series uses a thick outer wall to eliminate the fragility seen in SMA and 2.92mm connectors. The female socket is also strengthened to ensure reliable mating. The 2.4mm series mates with SMA, 3.5mm and 2.92mm connectors with adapters and can mate with the 1.85mm series without adapters.

Electrical Specifications

| | |
|-------------------------|---------------|
| Impedance | 50Ω |
| Frequency | 50 GHz |
| VSWR | 1.03 + .005 f |
| Insertion Loss | .04 √ f |
| Shielding Effectiveness | ≥ 100 dB |

Mechanical Specifications

| | |
|--------------------|----------------|
| Mating Cycles | 500 |
| Recommended Torque | 5 - 7 in - lbs |
| Inter-mate ability | 1.85mm |

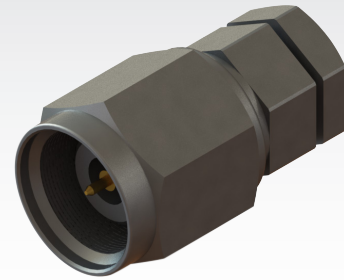
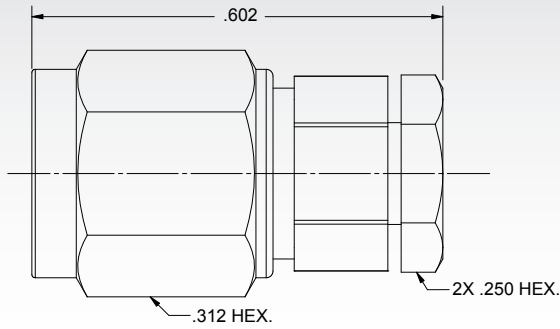
Environmental Specifications

| | |
|--------------------------------|---|
| Temperature Rating | -65°C to +165°C |
| Corrosion (Salt Spray) | MIL-STD-202, Method 101, Condition B |
| Vibration | MIL-STD-202, Method 204, Condition D, 20 Gs |
| Shock | MIL-STD-202, Method 213, Condition I, 100 Gs |
| Thermal Shock | MIL-STD-202, Method 107. Cond. B, -65°C to +125°C |
| Moisture Resistance | MIL-STD-202, Method 106, Less Step 7B |
| Barometric Pressure (Altitude) | MIL-STD-202, Method 105, Condition C, 70k Ft. |

Note: Specifications, dimensions and images are typical for the series and may vary by part number

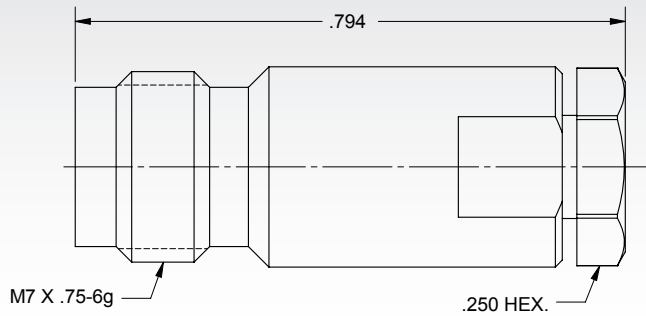
2.4MM SERIES

Male Cable Connector



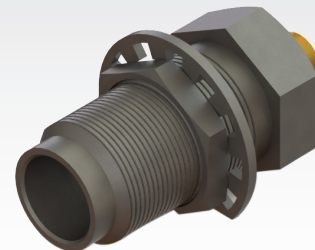
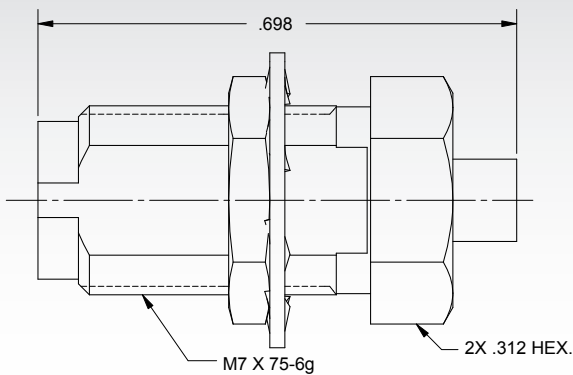
| Cable | P/N |
|-------|--------------|
| .047 | SF1611-60001 |
| .085 | SF1611-60003 |

Female Cable Connector



| Cable | P/N |
|-------|--------------|
| .047 | SF1621-60014 |
| .085 | SF1621-60009 |

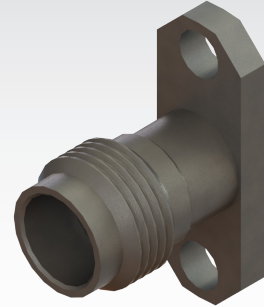
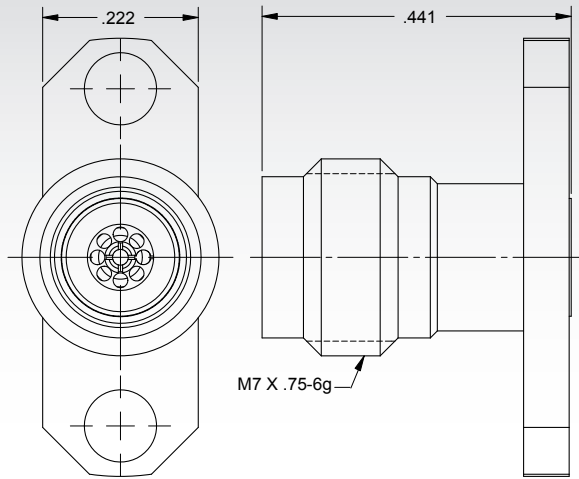
Female Bulkhead Cable Connector



| Cable | P/N |
|-------|--------------|
| .047 | SF1621-60005 |
| .085 | SF1644-6001 |

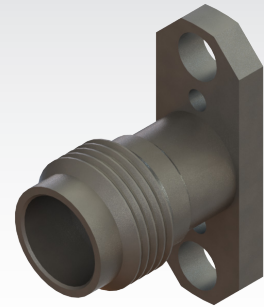
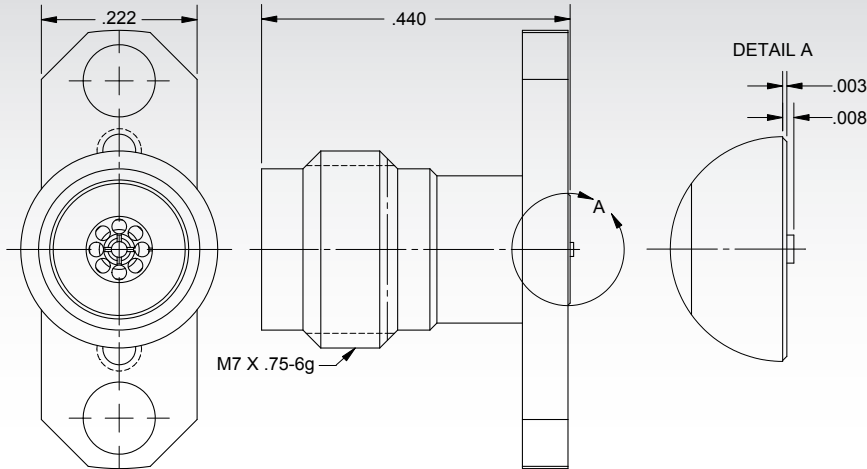
2.4MM SERIES

Female Flange Mount Connector, 2 Hole (Accepts Ø.012" Pin)



| |
|--------------|
| P/N |
| SF1621-60017 |

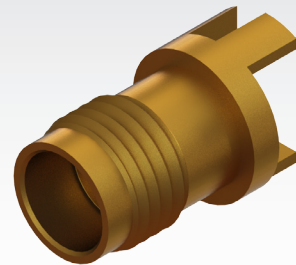
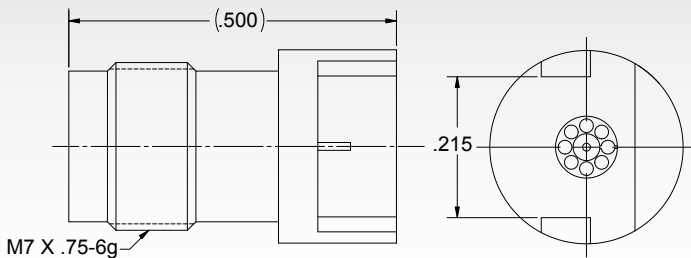
Female Flange Compression Mount Connector, 2 Hole



| |
|--------------|
| P/N |
| SF1621-60003 |

Contact SV directly to access our database of recommended PCB layouts

Female Edge Launch Connector (.062" PCB Thickness)

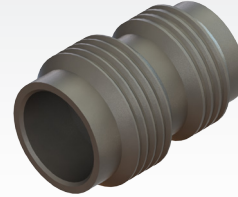
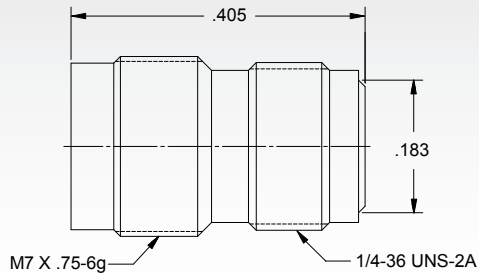


| |
|------------|
| P/N |
| 1621-60008 |

Contact SV directly to access our database of recommended PCB layouts

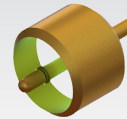
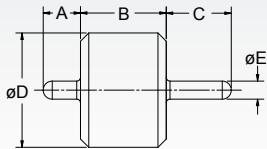
2.4MM SERIES

Male Sparkplug Connector (Accepts Ø.008" Pin)



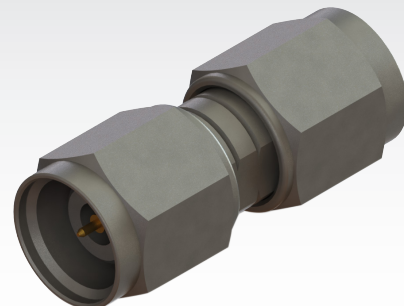
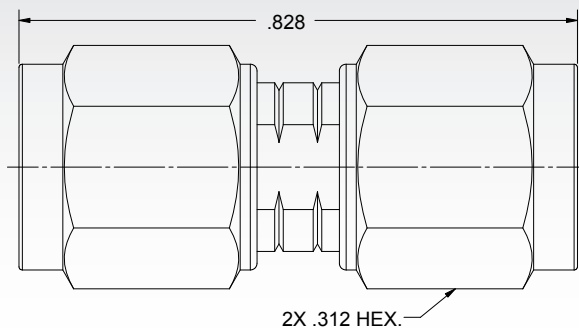
| P/N |
|--------------|
| SF1675-600 4 |

Feed-Thru Hermetic Seal



| P/N | A | B | C | øD | øE |
|------------|-------|-------|-------|-------|-------|
| 066-15-000 | .040" | .055" | .029" | .076" | .012" |
| 066-15-001 | .040" | .055" | .080" | .076" | .012" |
| 066-15-002 | .030" | .055" | .026" | .068" | .009" |
| 066-15-003 | .030" | .055" | .080" | .068" | .009" |
| 066-15-004 | .030" | .055" | .120" | .068" | .009" |
| 066-15-005 | .050" | .060" | .125" | .158" | .020" |

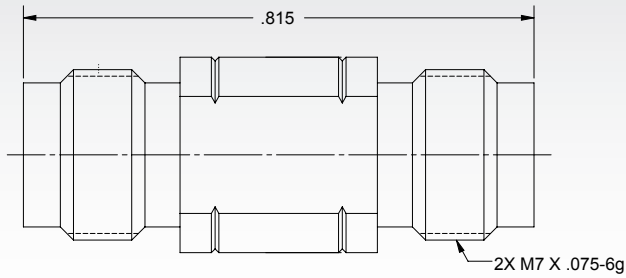
2.4mm Male to Male Adapter



| P/N |
|-------------|
| SF1116-6039 |

2.4MM SERIES

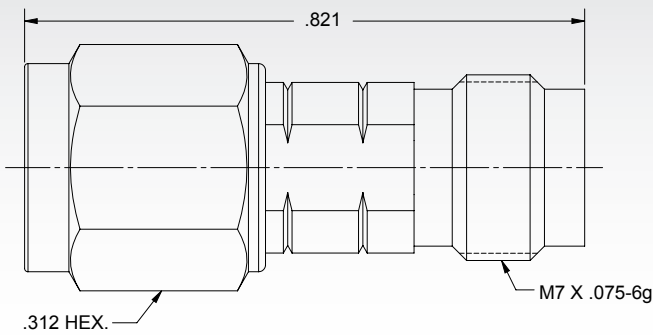
2.4mm Female to Female Adapter



P/N

SF1116-6053

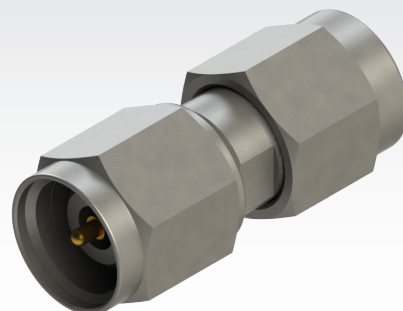
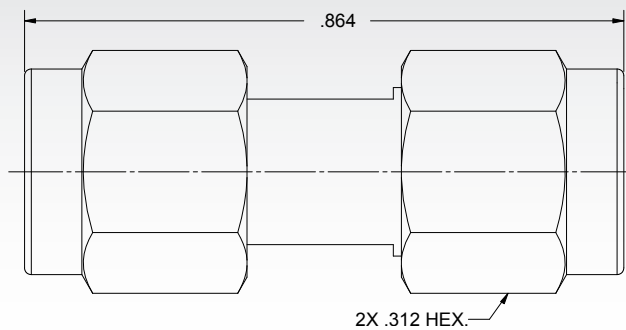
2.4mm Male to Female Adapter



P/N

SF1116-6040

2.4mm Male to 2.92mm Male Adapter

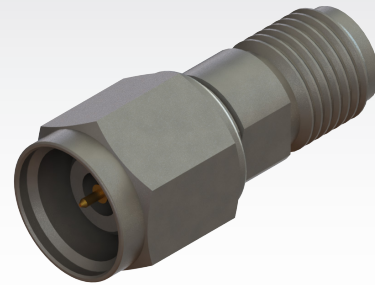
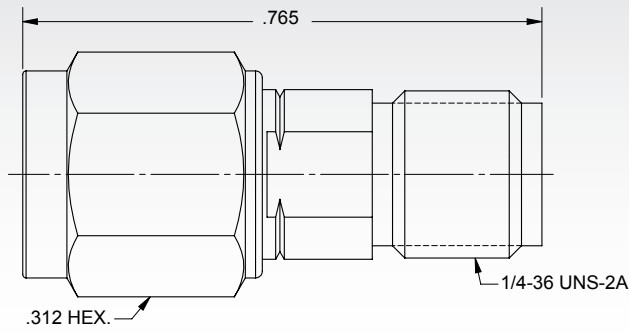


P/N

SF1116-6007

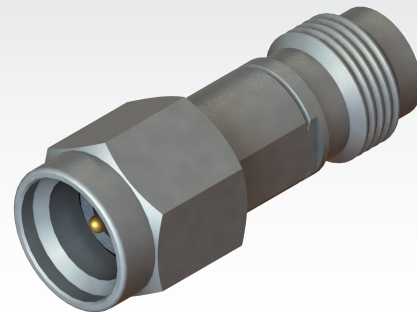
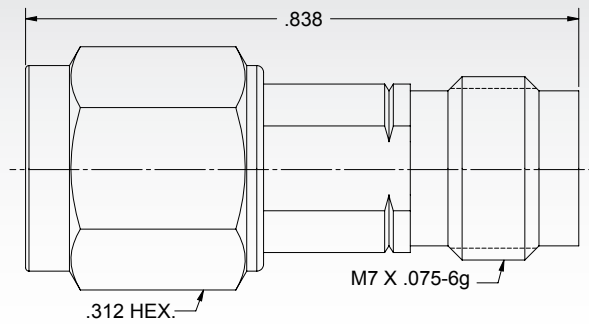
2.4MM SERIES

2.4mm Male to 2.92mm Female Adapter



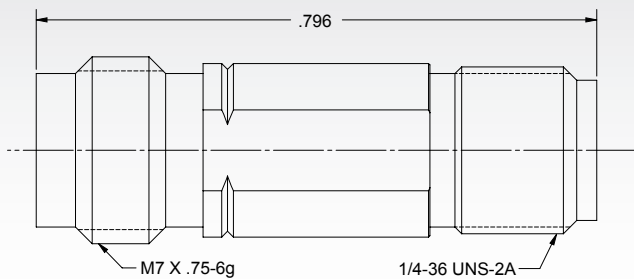
| |
|-------------|
| P/N |
| SF1116-6002 |

2.4mm Female to 2.92mm Male Adapter



| |
|-------------|
| P/N |
| SF1116-6003 |

2.4mm Female to 2.92mm Female Adapter

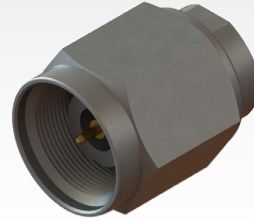
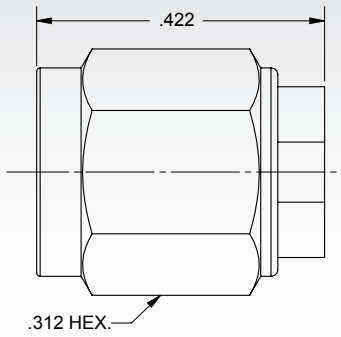


| |
|-------------|
| P/N |
| SF1116-6004 |

2.4MM SERIES

2.4MM SERIES

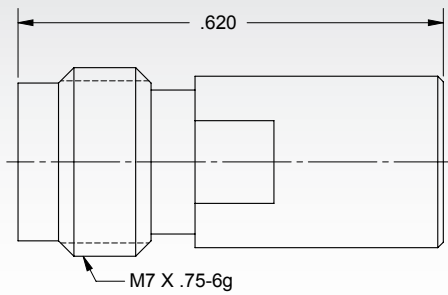
Male Termination



P/N

SF8016-6304

Female Termination



P/N

SF8016-6402

X-ON Electronics

Largest Supplier of Electrical and Electronic Components

Click to view similar products for [RF Connectors / Coaxial Connectors](#) category:

Click to view products by [Amphenol](#) manufacturer:

Other Similar products are found below :

[8915-1511-000](#) [89674-0827](#) [6001-7071-019](#) [6002-7051-003](#) [6002-7551-202](#) [6059674-1](#) [619550-1](#) [630059-000](#) [M39030/3-01N](#) [6500-7071-046](#) [6769](#) [CX050L2AQ](#) [7002-1542-011](#) [7004-1512-000](#) [7009-1511-004](#) [7010-1511-000](#) [7029-1511-060](#) [7101-1541-010](#) [7101-1571-002](#) [7105-1521-002](#) [7145-1521-002](#) [7203-1571-003](#) [7209-1511-011](#) [7210-1511-015](#) [7210-1511-019](#) [73137-5015](#) [73216-2241](#) [73404-2300](#) [7405-1521-005](#) [7405-1521-802](#) [8527](#) [8547](#) [FS11V](#) [8808-1511-001](#) [9049-9513-000](#) [9074-9513-000](#) [9101-9573-002](#) [910A205F](#) [9130-9573-002](#) [PL11SC-026](#) [PL375-33](#) [PL40-5](#) [PL74C-221](#) [PL75MC-217](#) [PL803-7](#) [980-8666-005](#) [1200690078](#) [1-201144-1](#) [R107003010W](#) [R110A172100](#)