

REVISION HISTORY			
REV	DESCRIPTION	DATE	APPROVED
C	REV. DCN 31895	02/05	CCC
D	DCN 46746	08/17	STW
E	DCN 47713	07/18	STW

PRODUCT DATA DRAWING

MATERIAL:

BODY,
PRESS CAP &
COUPLING NUT:

STAINLESS STEEL PER AMS-5640,
ALLOY UNS S30300, TYPE 1
OR ASTM A582, TYPE 303

LOCK RING &
CONTACT:

BERYLLIUM COPPER PER ASTM B196,
ALLOY No. UNS C17300, TD04

SLEEVE:

BRASS PER ASTM B16, ALLOY UNS No. C36000

INSULATOR:

ULTEM 1000 PER ASTM D5205

GASKET:

SILICONE RUBBER PER A-A-59588,
CLASS 2B, GRADE 50/60

BELLOWS SPRING:

ELECTRO DEPOSITED NICKEL: GOLD PLATED

RESISTOR ELEMENT:

ALUMINUM NITRIDE SUBSTRATE WITH
TANTALUM NITRIDE RESISTOR; GOLD PLATED
TERMINATIONS

FINISH:

BODY, PRESS CAP &
COUPLING NUT:

PASSIVATED PER AMS-2700, TYPE 2

CONTACT:

GOLD PER MIL-DTL-45204, TYPE I,
GRADE C, CLASS 1 (.00005" MIN.); OVER NICKEL
PER SAE AMS 2404, CLASS 1, .00005" MIN.

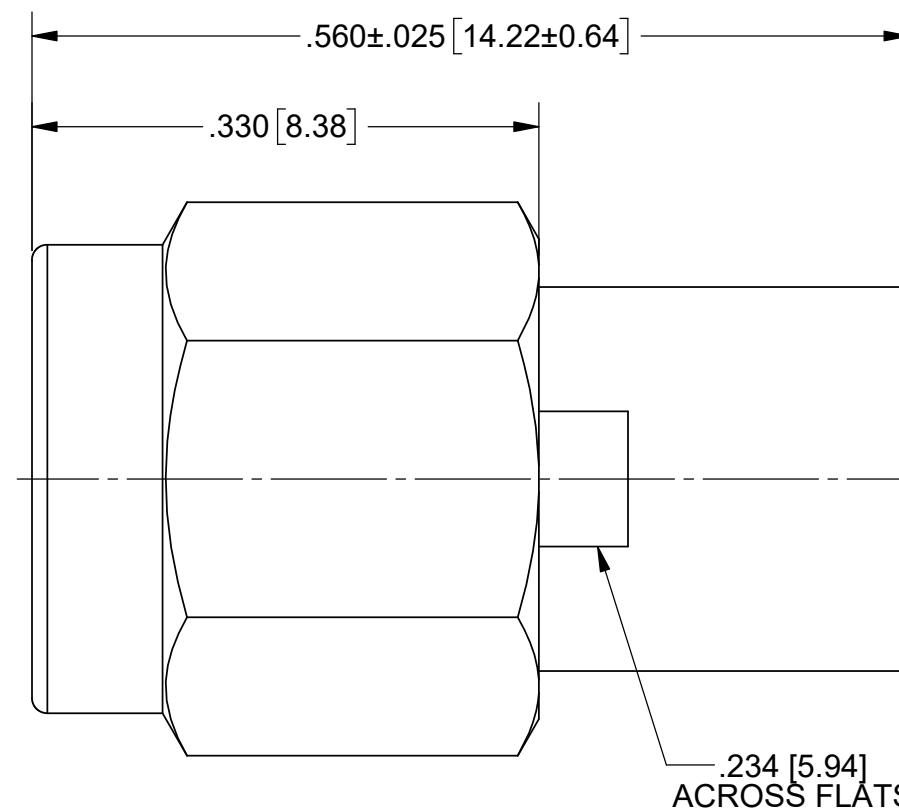
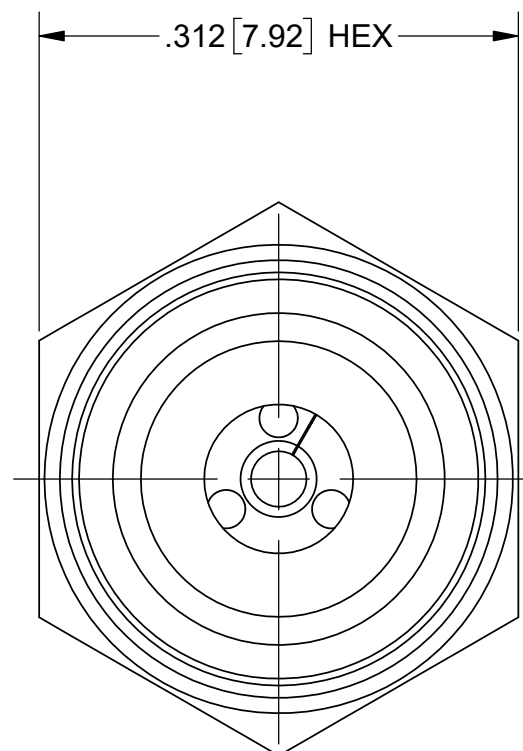
CHIP SLEEVE:

GOLD PER ASTM B488, TYPE II, CODE C,
CLASS 1.27 (.00005" MIN.); OVER NICKEL PER AMS-QQ-N-290,
CLASS 1, .00005" MIN.

PERFORMANCE:

IMPEDANCE:
FREQ. RANGE:
VSWR:
OPERATING TEMP.:

50 OHMS
DC TO 40.0 GHz
1.25:1 MAX., DC TO 40.0 GHz
-55°C TO +135°C



MATERIAL: SEE NOTES	DIMENSIONS ARE IN INCHES TOLERANCES: FRACTIONAL: ±1/64 ANGULAR: X° ±1'0" X'X' ±15'	UNLESS OTHERWISE SPECIFIED 1) ALL DIMENSIONS ARE IN INCHES (MILLIMETERS) 2) ALL DIMENSIONS ARE AFTER PLATING. 3) BREAK CORNERS & EDGES .005 R. MAX. 4) CHAM. 1ST & LAST THREADS. 5) SURFACE ROUGHNESS 63-MIL-STD-10. 6) DIA.'S ON COMMON CENTERS TO BE CONCENTRIC WITHIN .005 T.I.R. 7) REMOVE ALL BURRS	SV Microwave, Inc. 2400 Centrepark West Drive, Suite 100 West Palm Beach, FL 33409
FINISH: SEE NOTES	DECIMAL: X ±.030 .XX ±.010 .XXX ±.005	INTERPRET DIMENSIONS AND TOLERANCES PER ASME Y14.5M - 1994	TITLE: SVK PLUG TERMINATION DC-40.0 GHz
SURFACE AREA: N/A	THIRD ANGLE PROJECTION 	DRAWN: MEB 04/03/03	SIZE: B CAGE CODE: 95077 DWG. NO.: SF8015-6007
PROPRIETARY THE INFORMATION CONTAINED IN THIS DRAWING IS THE SOLE PROPERTY OF SV MICROWAVE, INC. ANY REPRODUCTION IN PART OR AS A WHOLE WITHOUT THE WRITTEN PERMISSION OF SV MICROWAVE, INC IS PROHIBITED.		CHECKED: STW 04/03/03 APPROVED: STW 04/03/03	SCALE: 8:1 SHEET 1 OF 1

X-ON Electronics

Largest Supplier of Electrical and Electronic Components

Click to view similar products for [RF Terminators](#) category:

Click to view products by [Amphenol](#) manufacturer:

Other Similar products are found below :

[M390303-02N](#) [M39030/3-04S](#) [M39030/3-09S](#) [TNG1-9-78-D3](#) [TNA2-50](#) [TNG1-6-78](#) [TNH1-1-50](#) [R404280000](#) [TNGFL1-1-78](#) [R4042N5000](#)
[R404518000](#) [53S1RR-001N3](#) [142275](#) [56S1RR-001N4](#) [18S15R-0.5E3](#) [65_BNC-50-0-7/133_NE](#) [71S1RR-001N4](#) [02S17R-001D3](#)
[R404240120](#) [R404260000](#) [HT-10-2](#) [M39030/3-04N](#) [TNA1-6-50](#) [131-3801-811](#) [TNA1-1-50](#) [65_N-50-0-51/113_NE](#) [65_N-50-0-1/133_NE](#)
[65002_N-50-1/122_NE](#) [65_MMCX-50-0-31/111_OE](#) [18K15R-0.5E3](#) [2702702](#) [TRM-2161-M0-35M-02](#) [53S17R-001N3](#) [18S24H-40ML5](#)
[TRM-2053-M0-NNN-02](#) [R404759000](#) [M39030/6-02N](#) [TRM-2080-M0-NNN-07](#) [TRM-2053-MC-NNN-02](#) [M39030/3-03S](#) [SF8012-6009](#)
[6701.01.A](#) [65_716-50-0-2/003_-E](#) [65_SMB-50-0-1/111_NE](#) [M39030/3-12N](#) [M39030/5-06N](#) [82-5722-RFX](#) [8018-6174](#) [SF8018-6005](#) [000-46650-51RFX](#)