

PRODUCT DATA DRAWING

CAD
GENERATED
DRAWING

DCN
CONTROLLED
DOCUMENT

DWG. NO.

SF8018-6057

MATERIAL :

BODY &
COUPLING NUT: STAINLESS STEEL PER AMS-5640

LOCK RING
& CONTACT: BERYLLIUM COPPER PER ASTM B196

INSULATOR: PTFE PER ASTM D1710

GASKET: SILICONE RUBBER PER ZZ-R-765,
CLASS IIB, GRADE 50/60

RESISTOR ELEMENT: ALUMINA SUBSTRATE WITH
NICHROME RESISTOR

FINISH :

BODY: GOLD PER ASTM B488, TYPE II,
GRADE C, CLASS .76; OVER NICKEL
PER AMS-QQ-N-290, CLASS 1

COUPLING NUT: PASSIVATED PER AMS-QQ-P-35, TYPE II

CONTACT: GOLD PER ASTM B488, TYPE II,
GRADE C, CLASS 1.52; OVER NICKEL
PER AMS-QQ-N-290, CLASS 1

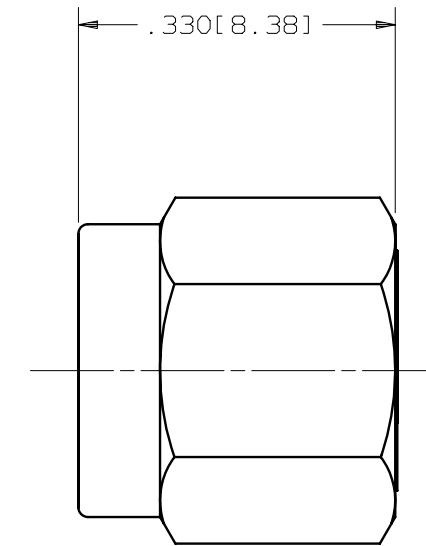
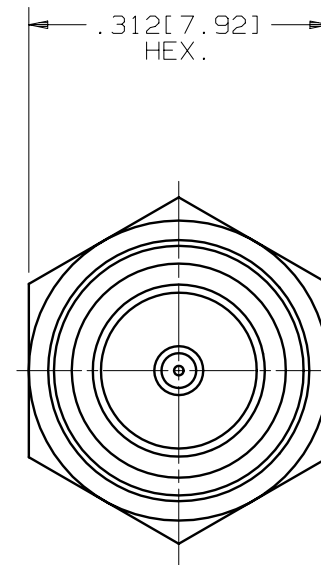
PERFORMANCE :

IMPEDANCE: 50 OHMS

FREQ. RANGE: DC TO 18.0 GHz

VSWR: 1.30:1 DC TO 18.0 GHz

OPERATING TEMP: -55°C TO +125°C



SYM.	DESCRIPTION	DATE	APPR.	UNLESS OTHERWISE SPECIFIED:			DIMENSIONS ARE IN INCHES			TITLE:
-	REL. DCN 32745	02/05	CCC	1) ALL DIMENSIONS ARE AFTER PLATING.	DECIMALS	FRACTIONAL	ANGULAR	SV Microwave, Inc. 2400 Centrepark West Drive, Suite 100 West Palm Beach, FL 33409		
				2) BREAK CORNERS & EDGES .005 R. MAX.	.X ±.030		X° ±1°0'			
				3) CHAM. 1st & LAST THDS.	.XX ±.015	±1/64	X°X' ±15'	DRAWN: MGT 02/24/05	MATERIAL: SEE ABOVE	□" AREA: N/A
				4) SURFACE ROUGHNESS 63 / MIL-STD-10.	.XXX ±.005					
				5) DIAS. ON COMMON CENTERS TO BE CONCENTRIC WITHIN .005 T.I.R.				CHECKED: CCC 02/24/05	FINISH: SEE ABOVE	SCALE
				6) REMOVE ALL BURRS.				APPROVED: CCC 02/24/05	SIZE	DWG. NO.
					B	CAGE NO.	5X		95077	SF8018-6057

X-ON Electronics

Largest Supplier of Electrical and Electronic Components

Click to view similar products for [RF Terminators](#) category:

Click to view products by [Amphenol](#) manufacturer:

Other Similar products are found below :

[M390303-02N](#) [R404105000](#) [M39030/3-03N](#) [TNG1-9-78-D3](#) [TNA2-50](#) [TNH1-1-50](#) [R404518000](#) [53S1RR-001N3](#) [142275](#) [65_BNC-50-0-7/133_NE](#) [R404240120](#) [R404260000](#) [HT-10-2](#) [M39030/3-04N](#) [M39030/3-11S](#) [TNA1-6-50](#) [131-3801-811](#) [TNA1-1-50](#) [R404101000](#) [1-221629-6](#) [SF8015-6007](#) [SF8016-6404](#) [6550.17.AA](#) [65_N-50-0-51/113_NE](#) [65_BNC-50-0-2/133_NE](#) [65_BNC-75-0-1/133_NE](#) [65_QMA-50-0-4/111_NE](#) [65_N-50-0-1/133_NE](#) [65_MMCX-50-0-31/111_OE](#) [65_BNC-50-0-6/113_NE](#) [18K15R-0.5E3](#) [2702702](#) [53S17R-001N3](#) [1100.19.0001](#) [6701.01.B](#) [18S24H-40ML5](#) [R404759000](#) [TRM-2080-M0-NNN-07](#) [TRM-2053-MC-NNN-02](#) [M39030/3-03S](#) [6701.01.A](#) [65_MCX-50-0-4/111_NE](#) [65_716-50-0-2/003_-E](#) [6701.17.A](#) [M39030/3-12N](#) [M39030/5-06N](#) [82-5722-RFX](#) [27-9662](#) [8018-6174](#) [SF8018-6005](#)