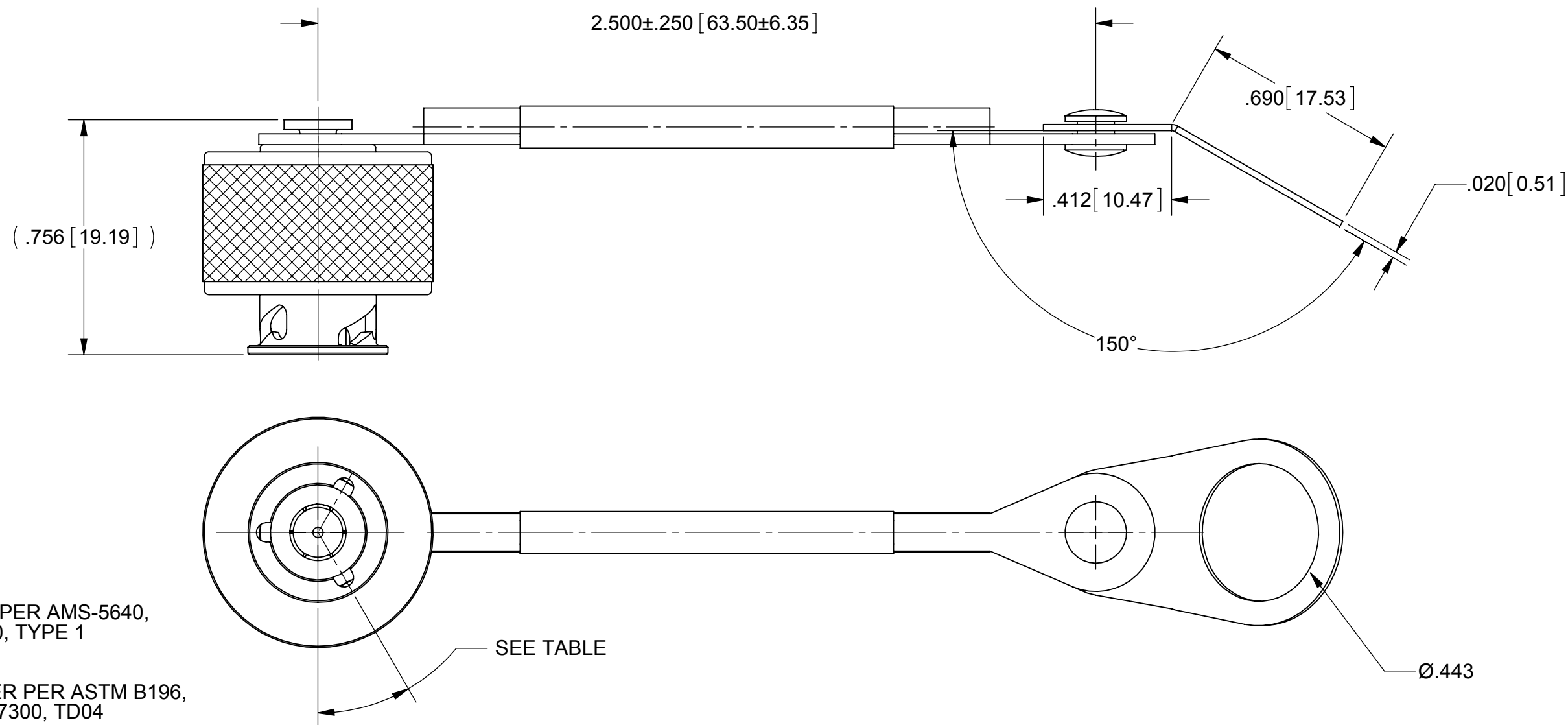


# PRODUCT DATA DRAWING

| REVISION HISTORY |             |       |          |
|------------------|-------------|-------|----------|
| REV              | DESCRIPTION | DATE  | APPROVED |
| 04               | PRELIMINARY | 06/11 |          |
|                  |             |       |          |



**MATERIAL:**

BODY, WASHER,  
COUPLING NUT &  
RIVET:

STAINLESS STEEL PER AMS-5640,  
ALLOY UNS S30300, TYPE 1

LOCK RING &  
CONTACT:

BERYLLIUM COPPER PER ASTM B196,  
ALLOY No. UNS C17300, TD04

SPRING:

STAINLESS STEEL PER ASTM A313, TYPE 631  
ALLOY UNS S17700

GASKET:

VITON RUBBER PER AMS 3216

WIRE ASSEMBLY:

TEFLON COATED WIRE ROPE

**FINISH:**

BODY, WASHER,  
COUPLING NUT,  
RIVET & SPRING:

PASSIVATED PER AMS-2700.

LOCK RING &  
CONTACT:

GOLD PER ASTM B488, TYPE II,  
CODE C, CLASS 1.27, OVER NICKEL  
PER AMS-QQ-N-290, CLASS 1, .00005" MIN.

| SV P/N       | KEYING   |
|--------------|----------|
| SF8711-60098 | 3 X 120° |
| SF8711-60099 | 4 X 90°  |

|   |  |  |   |
|---|--|--|---|
| MATERIAL: SEE NOTES   | DIMENSIONS ARE IN INCHES TOLERANCES:<br>FRACTIONAL: ±1/64 ANGULAR: X° ±1'0"<br>X°X' ±15' | UNLESS OTHERWISE SPECIFIED<br>1) ALL DIMENSIONS ARE IN INCHES (MILLIMETERS)<br>2) ALL DIMENSIONS ARE AFTER PLATING.<br>3) BREAK CORNERS & EDGES .005 R. MAX.<br>4) CHAM. 1ST & LAST THREADS.<br>5) SURFACE ROUGHNESS 63-MIL-STD-10.<br>6) DIA.'S ON COMMON CENTERS TO BE CONCENTRIC<br>WITHIN .005 T.I.R.<br>7) REMOVE ALL BURRS | <b>SV Microwave, Inc.</b><br>2400 Centrepark West Drive, Suite 100<br>West Palm Beach, FL 33409<br>TITLE: <b>ZMA MOPP DUST CAP<br/>W/ WIRE ROPE</b> |
| FINISH: SEE NOTES   | DECIMAL: X ±.030<br>.XX ±.010<br>.XXX ±.005  | INTERPRET DIMENSIONS AND TOLERANCES<br>PER ASME Y14.5M - 1994  |   |
| SURFACE AREA: N/A   | THIRD ANGLE PROJECTION   | DRAWN: DAL 03/19/10  | SIZE: <b>B</b> CAGE CODE: <b>95077</b> DWG. NO.: <b>SF8711-60098-60099</b>  |
| PROPRIETARY<br>THE INFORMATION CONTAINED IN THIS DRAWING<br>IS THE SOLE PROPERTY OF SV MICROWAVE, INC.<br>ANY REPRODUCTION IN PART OR AS A WHOLE<br>WITHOUT THE WRITTEN PERMISSION OF<br>SV MICROWAVE, INC IS PROHIBITED. |  | CHECKED:   | SCALE: 2.5:1  |
|   |  | APPROVED:  | SHEET 1 OF 1  |

## X-ON Electronics

Largest Supplier of Electrical and Electronic Components

*Click to view similar products for [RF Connector Accessories](#) category:*

*Click to view products by [Amphenol](#) manufacturer:*

Other Similar products are found below :

[89674-0712](#) [F702RX24](#) [FERRULE-174](#) [R125802000](#) [R141802000](#) [R141805000](#) [R141842000](#) [R161844000](#) [R161862000](#) [R161862000W](#)  
[R280752000](#) [R280907000](#) [R694261906](#) [RFI21-13](#) [RFI375-12-D3](#) [RFI75-13-D2](#) [RFI75-3](#) [RFI75-4-D2](#) [RFI97-13](#) [AX102906](#) [AX102907](#)  
[18097-0013](#) [HP-375](#) [HP-500](#) [2098-0294-00](#) [2098-3251-94](#) [KA-81-05](#) [89674-0805](#) [RUBBER-CAP-BNC](#) [F1](#) [FERRULE-223](#) [202102-11](#)  
[213337-1](#) [220222-2](#) [24092671A](#) [24092678A](#) [R161841000](#) [R280468000](#) [R280510000](#) [R282862060](#) [RFI155-1](#) [RFI25-12-D3](#) [RFI25-5](#)  
[RFI25-5-D3](#) [RFI75-12-D2](#) [RFI75-2-D2](#) [RFI75-4-D3](#) [RFI77-6](#) [RFI97-14](#) [360HS001M2508M6](#)