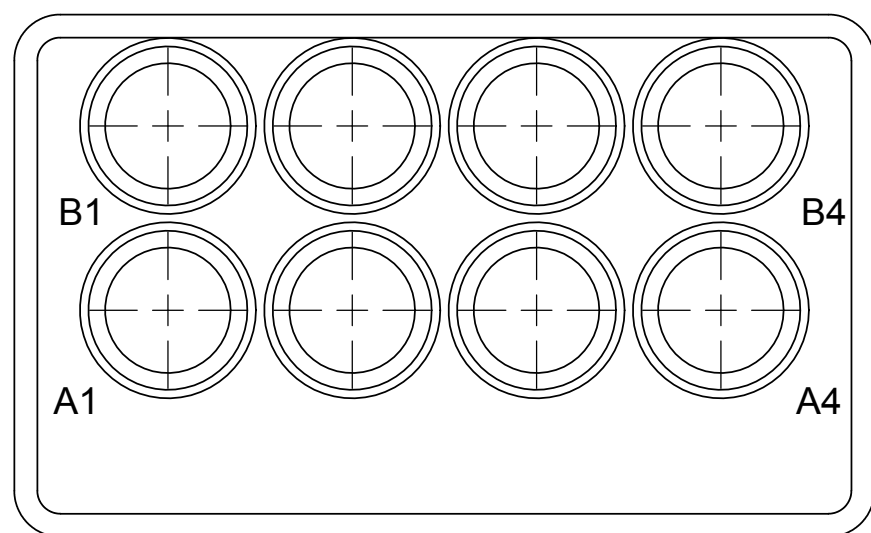
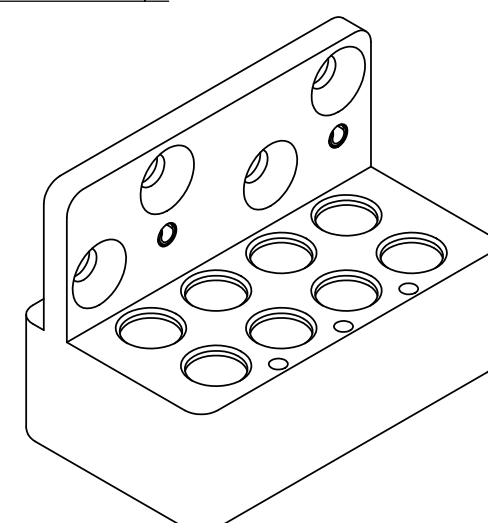
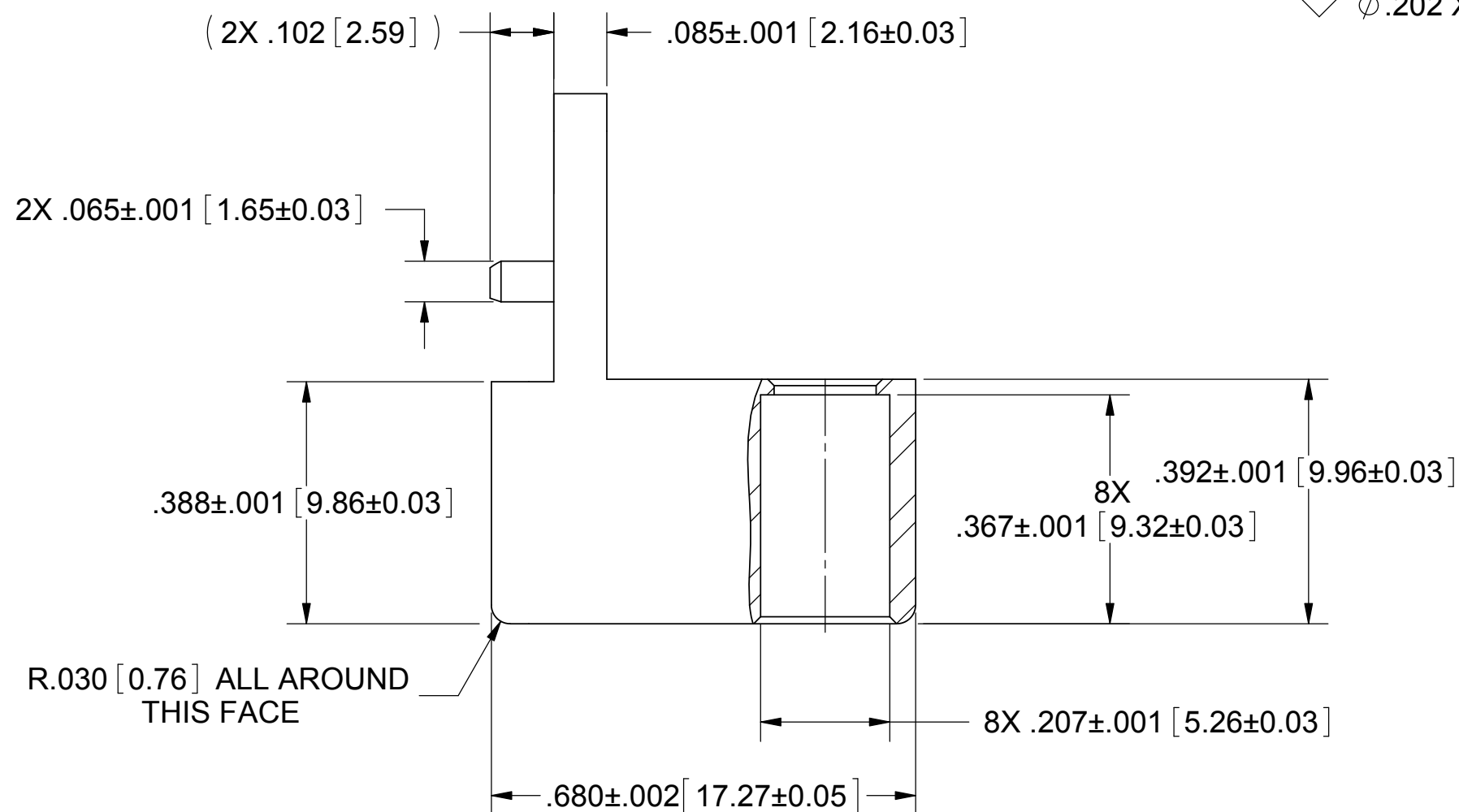
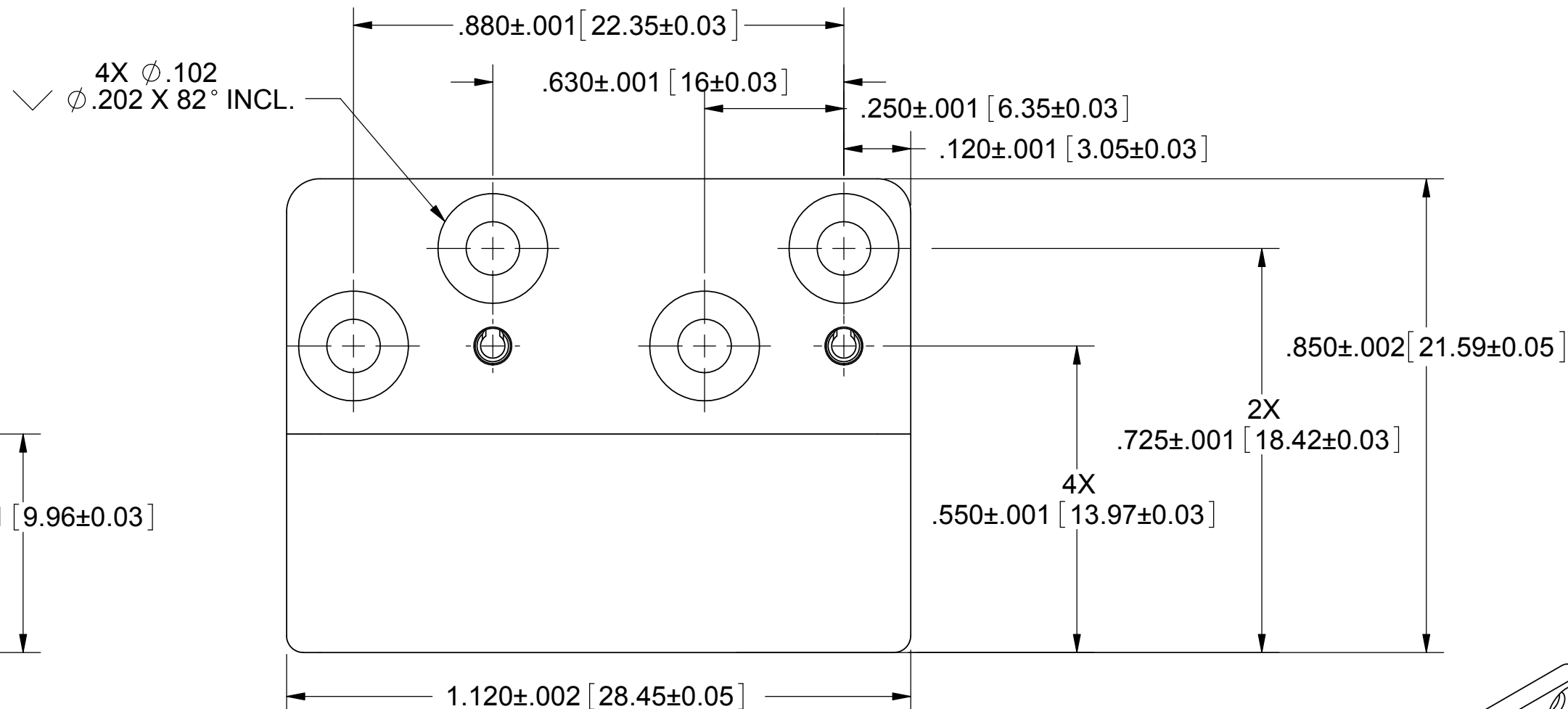
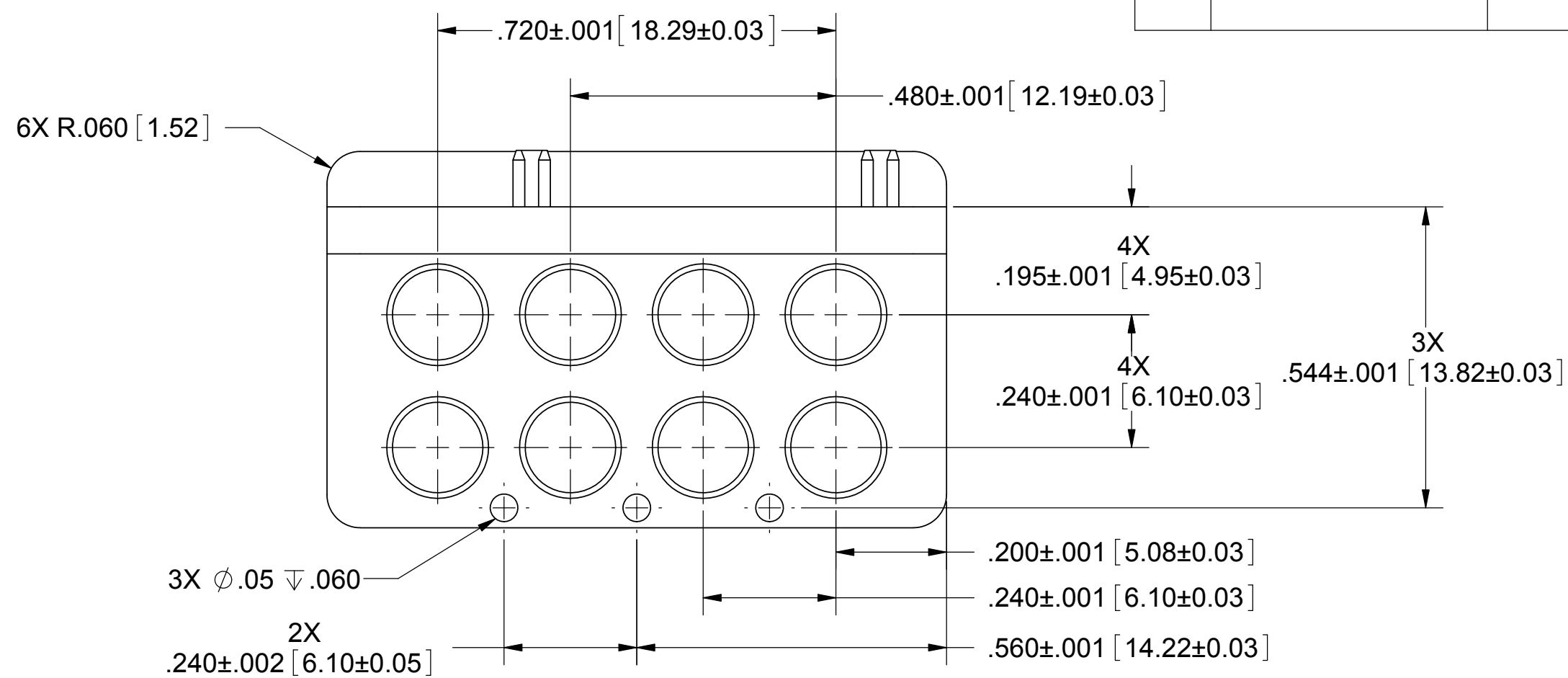


PRODUCT DATA DRAWING

REVISION HISTORY			
REV.	DESCRIPTION	DATE	APPROVED
B	REV. DCN 38885	2/29/12	STW



CAVITY IDENTIFICATION



MATERIAL:
MODULE: STAINLESS STEEL PER AMS-5640, ALLOY UNS S30300, TYPE 1
SPRING PINS: STAINLESS STEEL PER ASTM A313, ALLOY UNS S30200, TYPE 302.
FINISH:
MODULE & SPRING PINS: PASSIVATED PER AMS-2700.

MATERIAL:	SEE NOTES
FINISH:	SEE NOTES
DO NOT SCALE DRAWING	
PROPRIETARY	
<small>THE INFORMATION CONTAINED IN THIS DRAWING IS THE SOLE PROPERTY OF SV MICROWAVE, INC. ANY REPRODUCTION IN PART OR AS A WHOLE WITHOUT THE WRITTEN PERMISSION OF SV MICROWAVE, INC. IS PROHIBITED.</small>	

DIMENSIONS ARE IN INCHES	
TOLERANCES:	
ANGULAR:	±1°
ONE PLACE DECIMAL	±.030
TWO PLACE DECIMAL	±.010
THREE PLACE DECIMAL	±.005
INTERPRET DIMENSIONS AND TOLERANCES PER ASME Y14.5M - 1994	
THIRD ANGLE PROJECTION	

UNLESS OTHERWISE SPECIFIED:	
1.	ALL DIMENSIONS ARE AFTER PLATING.
2.	BREAK CORNERS & EDGES R.005 MAX.
3.	CHAMFER 1ST AND LAST THREAD.
4.	SURFACE ROUGHNESS 63 PER MIL-STD-10.
5.	DIA'S ON COMMON CENTERS TO BE CONCENTRIC WITHIN .005 T.I.R.
6.	REMOVE ALL BURRS.
DRAWN:	JMC 12/13/10
CHECKED:	STW 02/07/11
APPROVED:	STW 02/07/11
E.M. SIMULATION:	N/A

SV Microwave, Inc. [®]			
<small>2400 Centrepark West Drive, Suite 100 West Palm Beach, FL 33409</small>			
TITLE: MULTIPOINT MODULE 8 POS			
SIZE	CAGE CODE	DWG. NO.	
C	95077	SF9321-60013	
SCALE: 4:1		SHEET 1 OF 1	

X-ON Electronics

Largest Supplier of Electrical and Electronic Components

Click to view similar products for [RF Connector Accessories](#) category:

Click to view products by [Amphenol](#) manufacturer:

Other Similar products are found below :

[89674-0712](#) [F702RX24](#) [FERRULE-174](#) [R125802000](#) [R141802000](#) [R141805000](#) [R141842000](#) [R161844000](#) [R161862000](#) [R161862000W](#)
[R280752000](#) [R280907000](#) [R694261906](#) [RFI21-13](#) [RFI375-12-D3](#) [RFI75-13-D2](#) [RFI75-3](#) [RFI75-4-D2](#) [RFI97-13](#) [AX102906](#) [AX102907](#)
[18097-0013](#) [HP-375](#) [HP-500](#) [2098-0294-00](#) [2098-3251-94](#) [KA-81-05](#) [89674-0805](#) [RUBBER-CAP-BNC](#) [F1](#) [FERRULE-223](#) [202102-11](#)
[213337-1](#) [220222-2](#) [24092671A](#) [24092678A](#) [R161841000](#) [R280468000](#) [R280510000](#) [R282862060](#) [RFI155-1](#) [RFI25-12-D3](#) [RFI25-5](#)
[RFI25-5-D3](#) [RFI75-12-D2](#) [RFI75-2-D2](#) [RFI75-4-D3](#) [RFI77-6](#) [RFI97-14](#) [360HS001M2508M6](#)