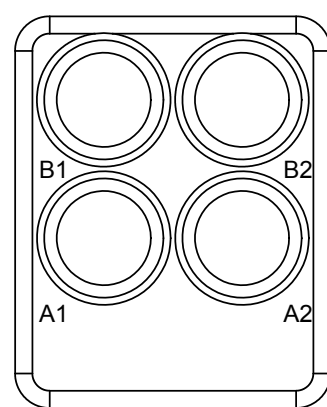
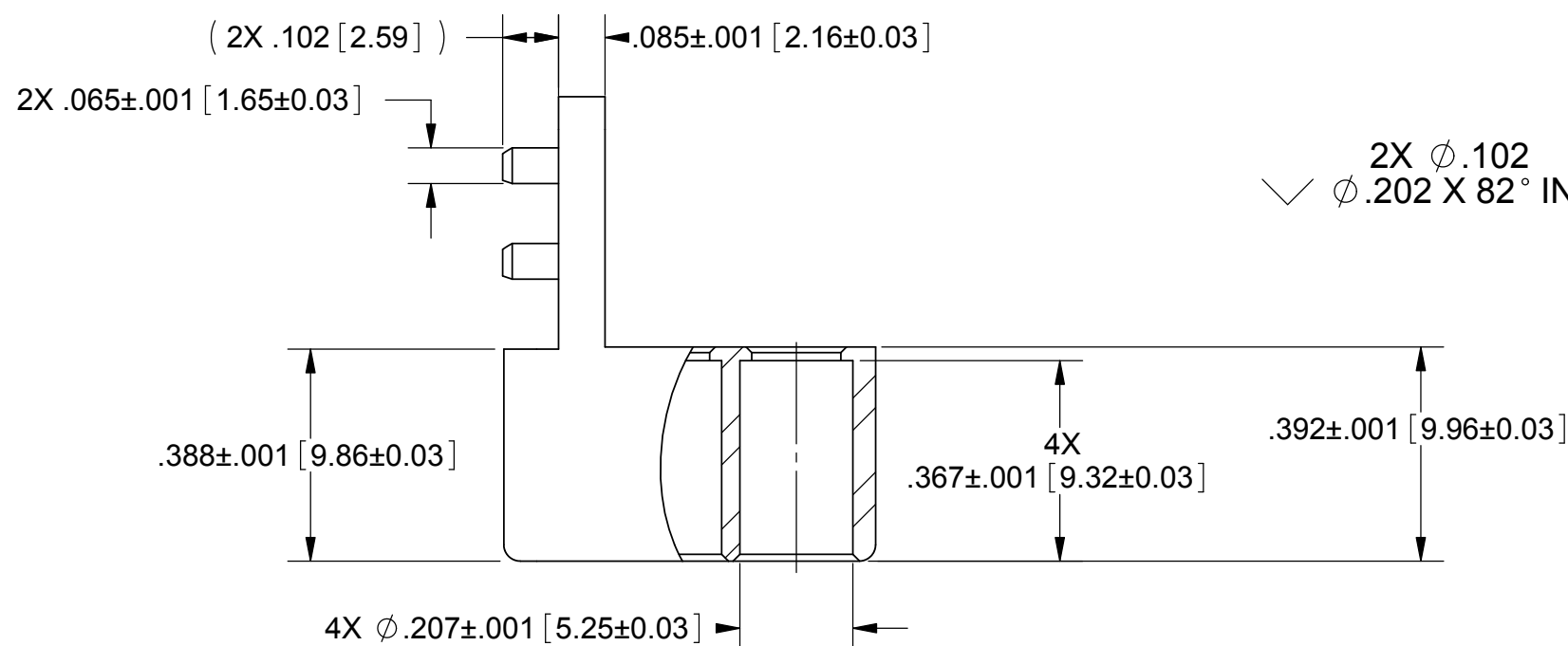
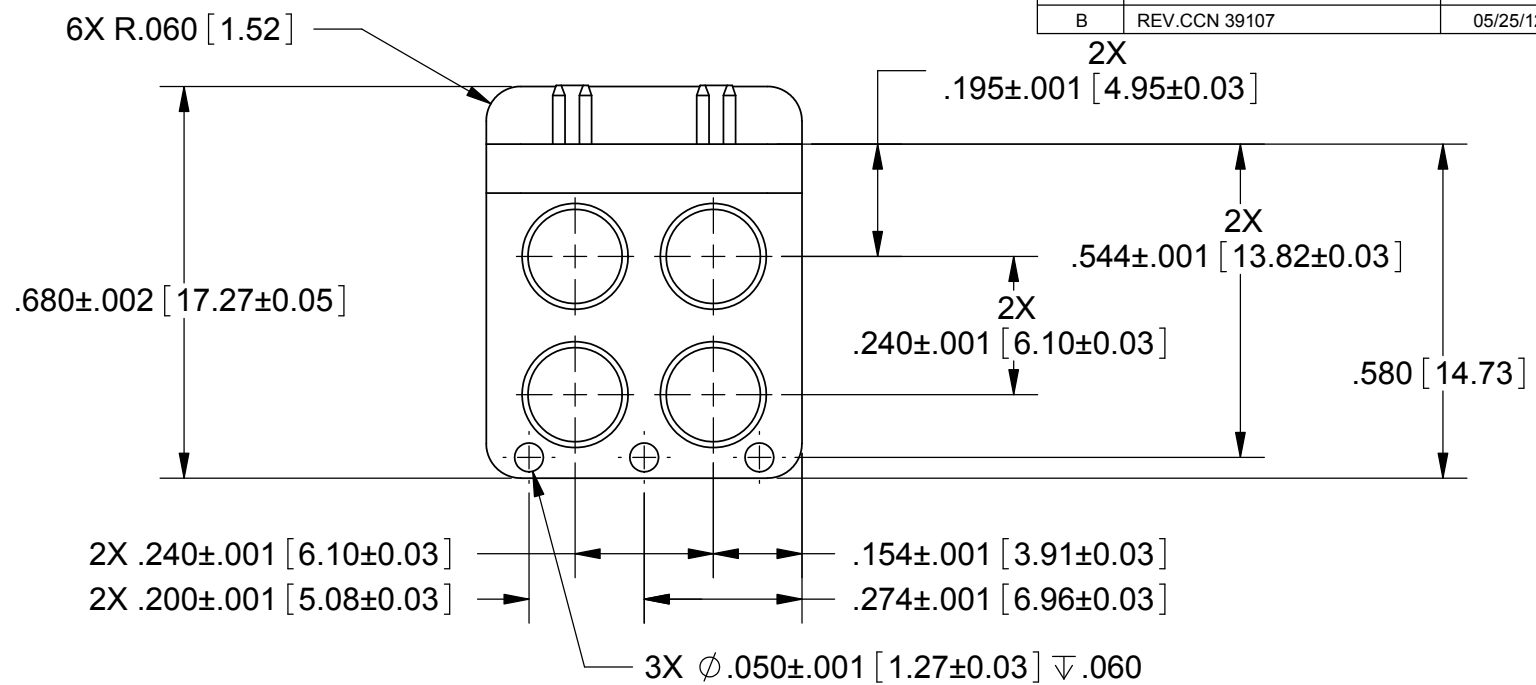


PRODUCT DATA DRAWING

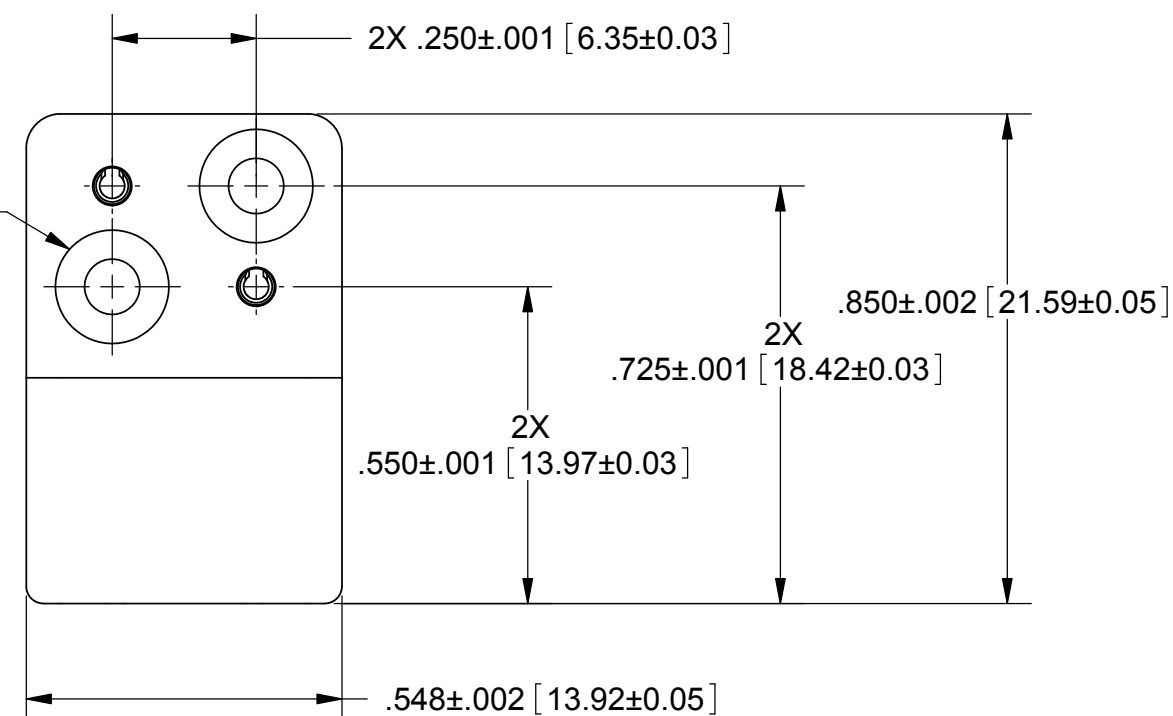
REVISION HISTORY			
REV	DESCRIPTION	DATE	APPROVED
-	REL. DCN 37941	01/06/11	STW
A	REV. DCN 38578	09/26/11	STW
B	REV.CCN 39107	05/25/12	STW



CAVITY IDENTIFICATION



2X Ø.102
∇ Ø.202 X 82° INCL.



MATERIAL:

MODULE: STAINLESS STEEL PER AMS-5640, ALLOY UNS S30300, TYPE 1

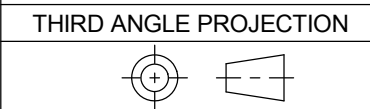
ALIGNMENT PINS: STAINLESS STEEL PER ASTM A313, ALLOY UNS S30200, TYPE 302.

FINISH:

MODULE & ALIGNMENT PINS: PASSIVATED PER AMS-2700.

MATERIAL:	SEE NOTES
FINISH:	SEE NOTES
SURFACE AREA:	N/A
PROPRIETARY	
THE INFORMATION CONTAINED IN THIS DRAWING IS THE SOLE PROPERTY OF SV MICROWAVE, INC. ANY REPRODUCTION IN PART OR AS A WHOLE WITHOUT THE WRITTEN PERMISSION OF SV MICROWAVE, INC IS PROHIBITED.	

DIMENSIONS ARE IN INCHES TOLERANCES:
 FRACTIONAL: ±1/64 ANGULAR: X° ±1'0" X"X' ±15'
 DECIMAL: .X ±.030
 .XX ±.010
 .XXX ±.005
 INTERPRET DIMENSIONS AND TOLERANCES PER ASME Y14.5M - 1994



UNLESS OTHERWISE SPECIFIED
 1) ALL DIMENSIONS ARE IN INCHES (MILLIMETERS)
 2) ALL DIMENSIONS ARE AFTER PLATING.
 3) BREAK CORNERS & EDGES .005 R. MAX.
 4) CHAM. 1ST & LAST THREADS.
 5) SURFACE ROUGHNESS 63-MIL-STD-10.
 6) DIA: 'S ON COMMON CENTERS TO BE CONCENTRIC WITHIN .005 T.I.R.
 7) REMOVE ALL BURRS

DRAWN: JMC 12/29/10
 CHECKED: STW 12/30/10
 APPROVED: STW 12/30/10

SV Microwave, Inc.		
2400 Centrepark West Drive, Suite 100 West Palm Beach, FL 33409		
TITLE: MULTIPOINT MODULE 4 POS		
SIZE	CAGE CODE	DWG. NO.
B	95077	SF9321-60015
SCALE: 3:1		SHEET 1 OF 1

X-ON Electronics

Largest Supplier of Electrical and Electronic Components

Click to view similar products for [RF Connector Accessories](#) category:

Click to view products by [Amphenol](#) manufacturer:

Other Similar products are found below :

[89674-0712](#) [F702RX24](#) [FERRULE-174](#) [R125802000](#) [R141802000](#) [R141805000](#) [R141842000](#) [R161844000](#) [R161862000](#) [R161862000W](#)
[R280752000](#) [R280907000](#) [R694261906](#) [RFI21-13](#) [RFI375-12-D3](#) [RFI75-13-D2](#) [RFI75-3](#) [RFI75-4-D2](#) [RFI97-13](#) [AX102906](#) [AX102907](#)
[18097-0013](#) [HP-375](#) [HP-500](#) [2098-0294-00](#) [2098-3251-94](#) [KA-81-05](#) [89674-0805](#) [RUBBER-CAP-BNC](#) [F1](#) [FERRULE-223](#) [202102-11](#)
[213337-1](#) [220222-2](#) [24092671A](#) [24092678A](#) [R161841000](#) [R280468000](#) [R280510000](#) [R282862060](#) [RFI155-1](#) [RFI25-12-D3](#) [RFI25-5](#)
[RFI25-5-D3](#) [RFI75-12-D2](#) [RFI75-2-D2](#) [RFI75-4-D3](#) [RFI77-6](#) [RFI97-14](#) [360HS001M2508M6](#)