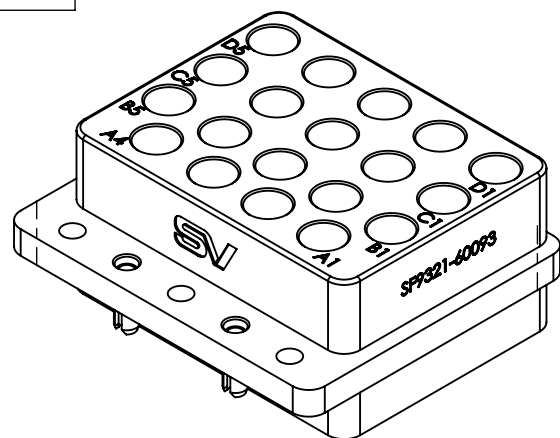
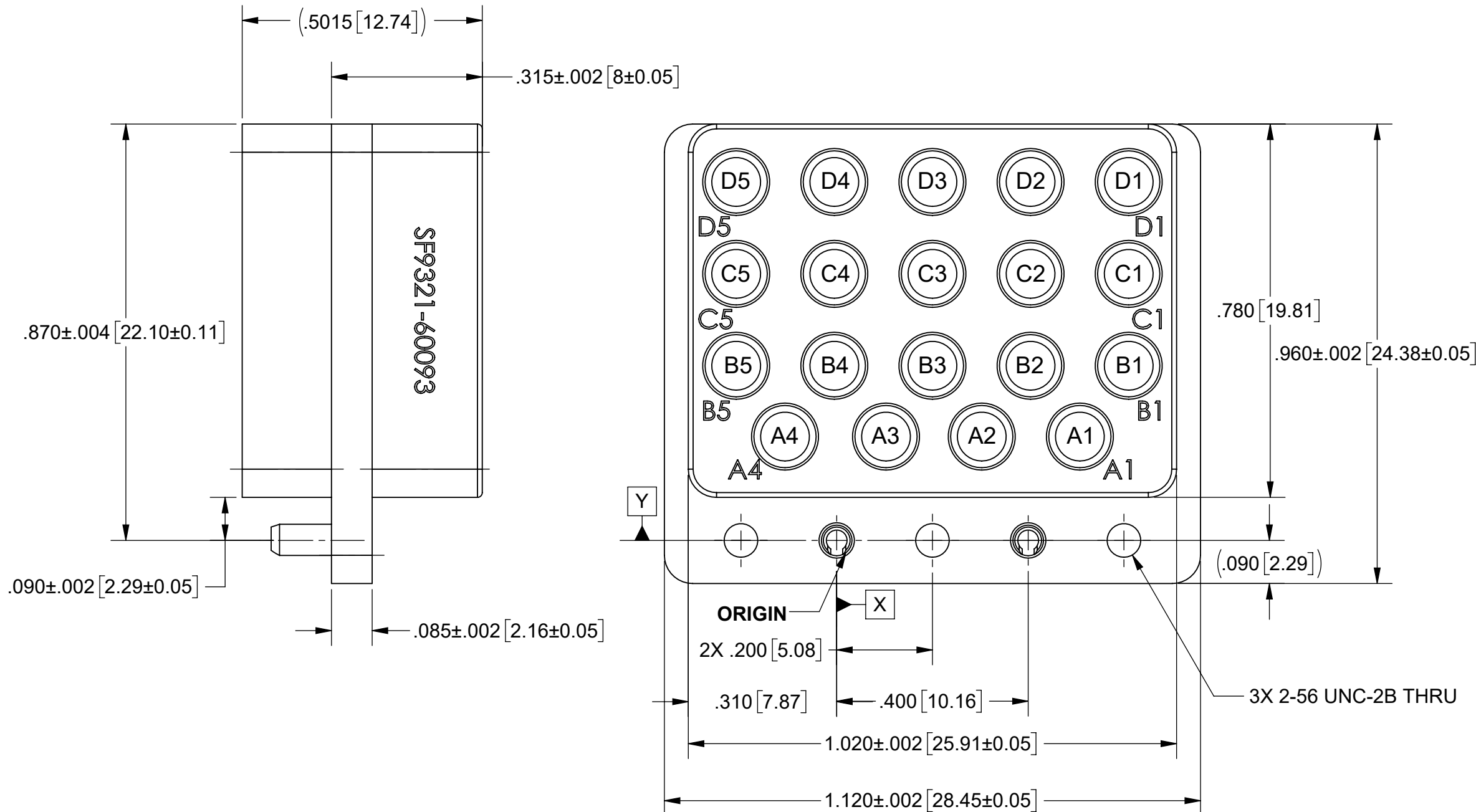


PRODUCT DATA DRAWING

REVISION HISTORY			
REV	DESCRIPTION	DATE	APPROVED
-	NRN 44129	06/19	JDT



HOLE CHART		
HOLE No.	X	Y
ORIGIN	0.000	0.000
A1	0.508	0.217
A2	0.303	0.217
A3	0.103	0.217
A4	-0.108	0.217
B1	0.610	0.365
B2	0.405	0.365
B3	0.200	0.365
B4	-0.005	0.365
B5	-0.210	0.365
C1	0.610	0.557
C2	0.405	0.557
C3	0.200	0.557
C4	-0.005	0.557
C5	-0.210	0.557
D1	0.610	0.749
D2	0.405	0.749
D3	0.200	0.749
D4	-0.005	0.749
D5	-0.210	0.749



MATERIAL:

BODY: STAINLESS STEEL PER AMS-5640, ALLOY UNS S30300, TYPE 1; OR ASTM A582 TYPE 303, COND. A

SPRING PINS: 420 STAINLESS STEEL

FINISH:

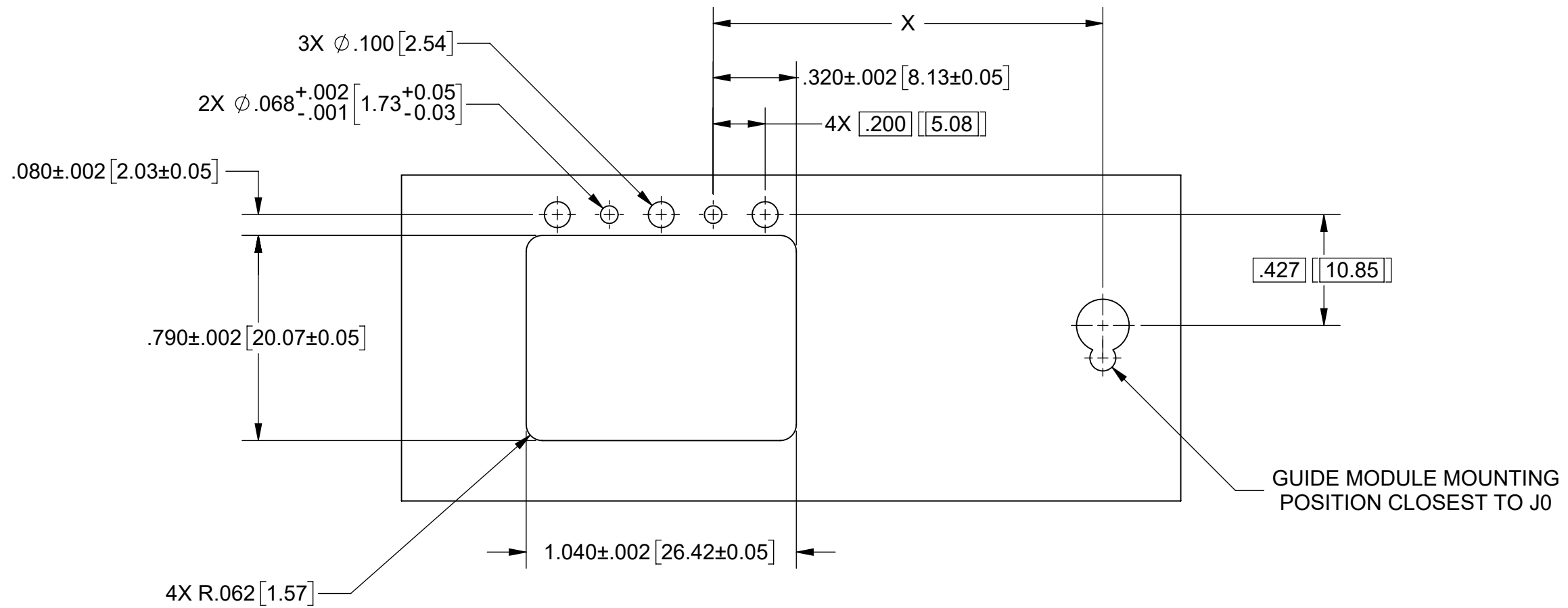
BODY: PASSIVATED PER AMS-2700

NOTES:

1. USES CONTACT 3821-40024 OR SIMILAR.
2. DESIGNED FOR USE WITH SF9311-60171

MATERIAL: SEE NOTES	DIMENSIONS ARE IN INCHES TOLERANCES: FRACTIONAL: $\pm 1/64$ ANGULAR: X° $\pm 1^{\circ}0'$ X'X' $\pm 15'$	UNLESS OTHERWISE SPECIFIED	 Amphenol 2400 Centrepark West Drive, Suite 100 West Palm Beach, FL 33409 TITLE: VITA 67.3 BACKPLANE MODULE C, 19 PORT, SMPS
FINISH: SEE NOTES	DECIMAL: X $\pm .030$.XX $\pm .010$.XXX $\pm .005$	1) ALL DIMENSIONS ARE IN INCHES (MILLIMETERS) 2) ALL DIMENSIONS ARE AFTER PLATING. 3) BREAK CORNERS & EDGES .005 R. MAX. 4) CHAM. 1ST & LAST THREADS. 5) SURFACE ROUGHNESS 63-MIL-STD-10. 6) DIA: 'S ON COMMON CENTERS TO BE CONCENTRIC WITHIN .005 T.I.R. 7) REMOVE ALL BURRS	
SURFACE AREA: N/A	INTERPRET DIMENSIONS AND TOLERANCES PER ASME Y14.5M - 1994	THIRD ANGLE PROJECTION	DWG. NO. SF9321-60093 SCALE: 4:1 SHEET 1 OF 2
PROPRIETARY THE INFORMATION CONTAINED IN THIS DRAWING IS THE SOLE PROPERTY OF SV MICROWAVE, INC. ANY REPRODUCTION IN PART OR AS A WHOLE WITHOUT THE WRITTEN PERMISSION OF SV MICROWAVE, INC IS PROHIBITED.	DRAWN: SJ 05/24/19 CHECKED: JDT 05/24/19 APPROVED: JDT 05/24/19	SIZE B CAGE CODE 95077	

REVISION HISTORY			
REV	DESCRIPTION	DATE	APPROVED
	SEE SHEET 1		



RECOMMENDED PCB CUTOUT

CONNECTOR LOCATION ON BACKPLANE PCB	
POSITION	DIM 'X'
J2	2.385" [60.58]
J3	3.942" [100.13]
J4	5.276" [134.00]
J5	6.409" [162.80]
J6	7.557" [191.95]

MATERIAL: SEE NOTES	DIMENSIONS ARE IN INCHES TOLERANCES: FRACTIONAL: ±1/64 ANGULAR: X° ±1'0" X°X' ±15'	UNLESS OTHERWISE SPECIFIED 1) ALL DIMENSIONS ARE IN INCHES (MILLIMETERS) 2) ALL DIMENSIONS ARE AFTER PLATING. 3) BREAK CORNERS & EDGES .005 R. MAX. 4) CHAM. 1ST & LAST THREADS. 5) SURFACE ROUGHNESS 63-MIL-STD-10. 6) DIA: 'S ON COMMON CENTERS TO BE CONCENTRIC WITHIN .004 T.I.R. 7) REMOVE ALL BURRS	 Amphenol 2400 Centrepark West Drive, Suite 100 West Palm Beach, FL 33409 TITLE: VITA 67.3 BACKPLANE MODULE C, 19 PORT, SMPS
FINISH: SEE NOTES	DECIMAL: X ±.030 .XX ±.010 .XXX ±.005	INTERPRET DIMENSIONS AND TOLERANCES PER ASME Y14.5M - 1994	
SURFACE AREA: N/A	THIRD ANGLE PROJECTION	DRAWN: SJ 05/24/19	SIZE: B CAGE CODE: 95077 DWG. NO. SF9321-60093
PROPRIETARY THE INFORMATION CONTAINED IN THIS DRAWING IS THE SOLE PROPERTY OF SV MICROWAVE, INC. ANY REPRODUCTION IN PART OR AS A WHOLE WITHOUT THE WRITTEN PERMISSION OF SV MICROWAVE, INC IS PROHIBITED.		CHECKED: JDT 05/24/19	SCALE: 4:1
		APPROVED: JDT 05/24/19	SHEET 2 OF 2

X-ON Electronics

Largest Supplier of Electrical and Electronic Components

Click to view similar products for [RF Connector Accessories](#) category:

Click to view products by [Amphenol](#) manufacturer:

Other Similar products are found below :

[89674-0712](#) [F702RX24](#) [FERRULE-174](#) [R125802000](#) [R141802000](#) [R141805000](#) [R141842000](#) [R161844000](#) [R161862000](#) [R161862000W](#)
[R280752000](#) [R280907000](#) [R694261906](#) [RFI21-13](#) [RFI375-12-D3](#) [RFI75-13-D2](#) [RFI75-3](#) [RFI75-4-D2](#) [RFI97-13](#) [AX102906](#) [AX102907](#)
[18097-0013](#) [HP-375](#) [HP-500](#) [2098-0294-00](#) [2098-3251-94](#) [KA-81-05](#) [89674-0805](#) [RUBBER-CAP-BNC](#) [F1](#) [FERRULE-223](#) [202102-11](#)
[213337-1](#) [220222-2](#) [24092671A](#) [24092678A](#) [R161841000](#) [R280468000](#) [R280510000](#) [R282862060](#) [RFI155-1](#) [RFI25-12-D3](#) [RFI25-5](#)
[RFI25-5-D3](#) [RFI75-12-D2](#) [RFI75-2-D2](#) [RFI75-4-D3](#) [RFI77-6](#) [RFI97-14](#) [360HS001M2508M6](#)