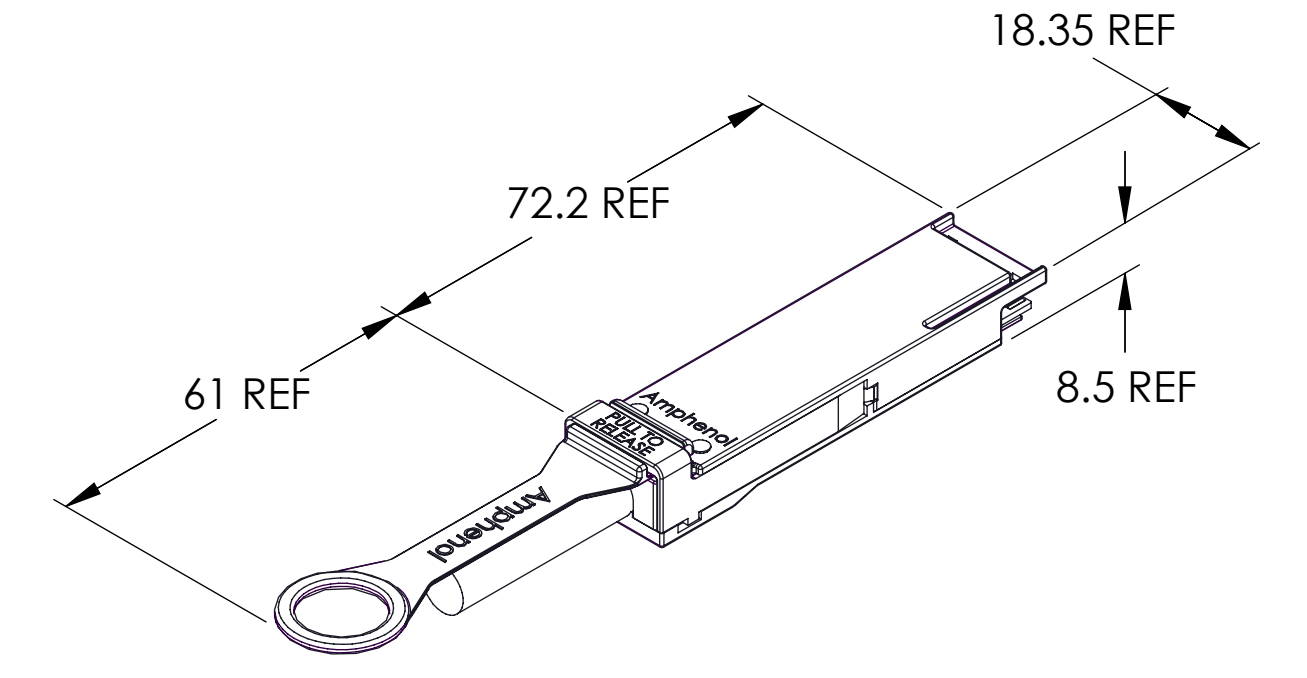
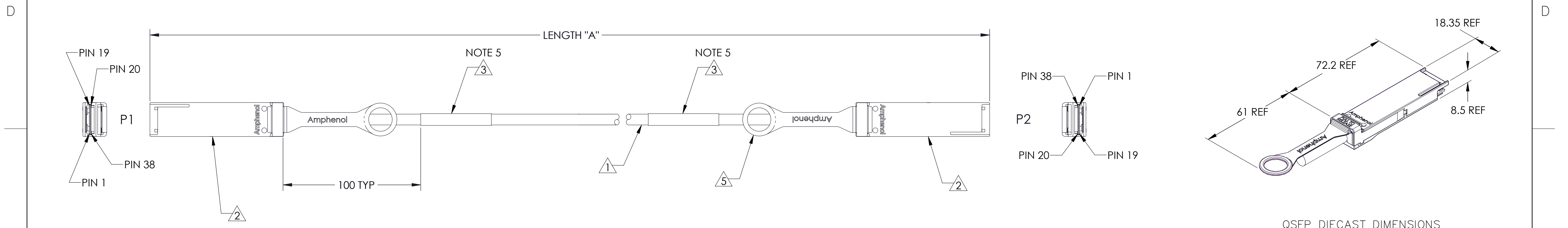
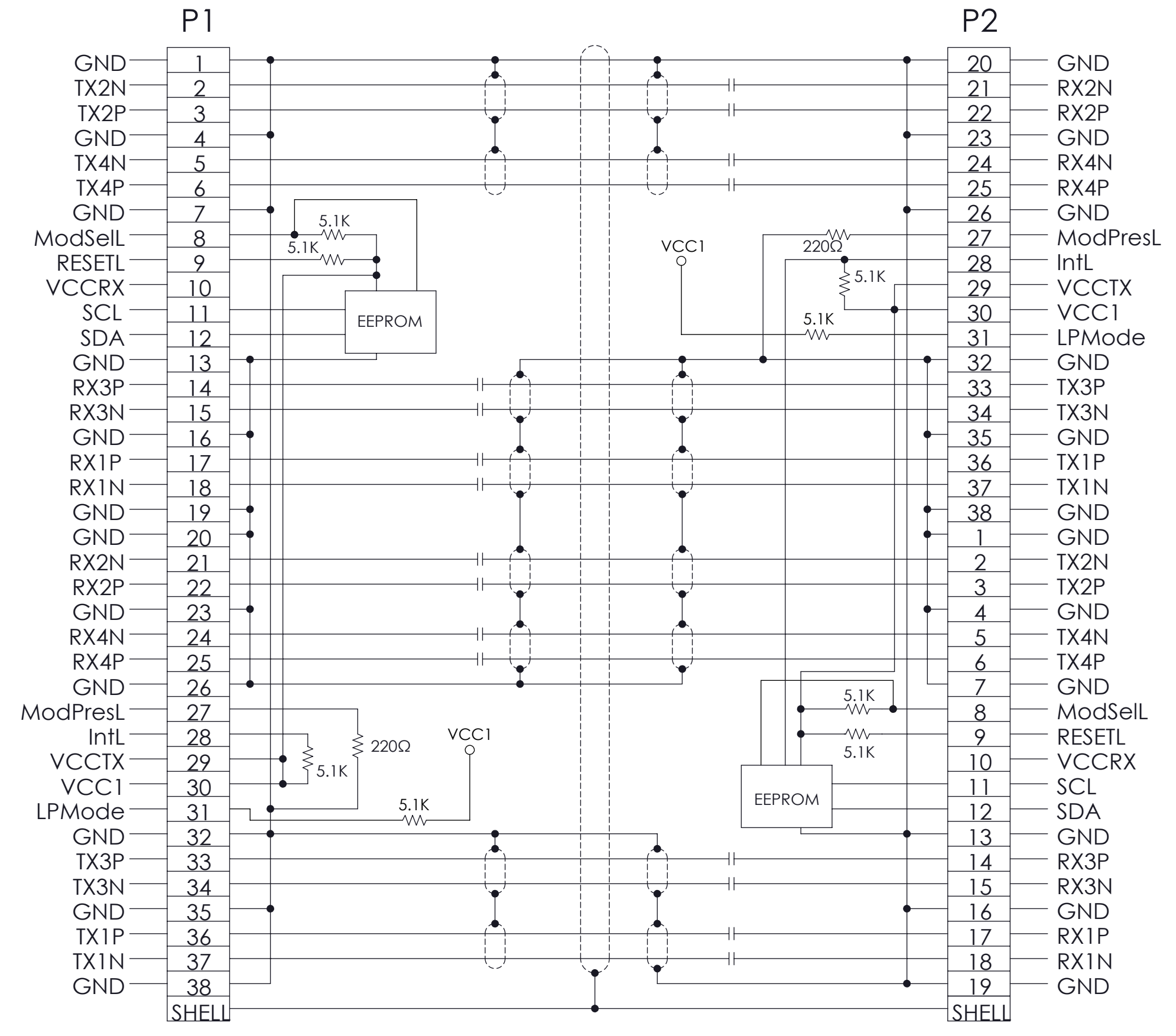


REVISIONS						
ZONE	REV.	ECN	DESCRIPTION	BY	DATE	APPROVED
	A	DDYR-A3AQU6.VER01	NEW RELEASE		10/15/2015	DC
	B	DDYR-A8KPVD.VER01	REVISED TITLE BLOCK	DC	3/31/2016	DC
	C	DDYR-18092102	ADDED -C104 TO TABLE 1. HCL-SH		09/27/2018	JM

AHSP P/N	LENGTH "A"	CUSTOMER P/N
NDAAFF-C101	1000 ±20	SF-NDAAFF100G-001M
NDAAFF-C102	2000 ±40	SF-NDAAFF100G-002M
NDAAFF-C103	3000 ±60	SF-NDAAFF100G-003M
NDAAFF-C104	500 ±20	SF-NDAAFF100G-000.5M



ITEM No.	DESCRIPTION
1	30 AWG, 8-PR, PVC BLACK, UL AWM STYLE 20276, 80°C, VW1
2	PLUG, QSFP+, REFERENCE SFF-8661
3	LABEL, WRAPPED - AHSP P/N, REV, DATE CODE, LENGTH, COO & SERIAL NUMBER
5	LANYARD - PANTONE 347C (GREEN)



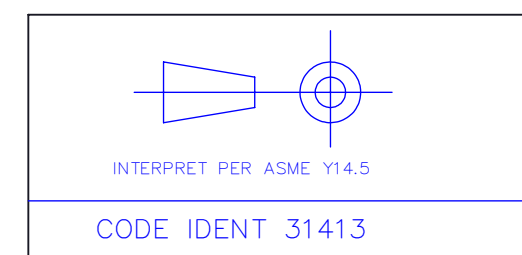
NOTE: DC BLOCKING CAP VALUE IS 0.1 μF
EEPROM CONNECTED TO VCCTX

- UL LABEL MUST BE ON THE SHIPPING CARTON PER SUBJECT 764 OF THE UL COMPONENT WIRING HARNESS (ZPFW2) FILE #E86140. CSA LABEL MUST BE ON SHIPPING CARTON.
 - PACKAGE COMPLETED ASSY IN AN APPROPRIATELY SIZED ESD BAG.
 - EPROM CONTENT SHALL BE COMPLIANT WITH SFF-8636 SPECIFICATIONS FOR 100GBASE-CR4. EPROM REVISION IS EQUAL TO AHSP PART NUMBER REVISION.
 - ASSEMBLIES LESS THAN ONE METER REQUIRE ONLY ONE LABEL PLACED ON P1 END.
 - CABLE ASSEMBLIES MUST MEET SHIELDING EFFECTIVENESS REQUIREMENTS OF 35dB FROM 1-10GHz AND 30dB FROM 10-18GHz.
 - COMPLIANT TO EU DIRECTIVE 2011/65/EU - RoHS2.
 - ASSEMBLIES SHALL BE COMPLIANT TO 100GBASE-CR4 SPECIFICATION (EXCEPT NDAAFF-0005).
 - THIS DRAWING IS RESERVED FOR AMPHENOL CABLES ON DEMAND.
- NOTES: UNLESS OTHERWISE SPECIFIED

TOLERANCES	DWN	CHK	APVD	EM	DATE	BY	REV
0.0	± 0.25				10/13/2015	DC	1
0.00	± 0.08				10/13/2015	DD	
0.000	± -				10/13/2015	EM	
ANGLES	± 1.0°						

UNLESS OTHERWISE SPECIFIED DIMENSIONS ARE IN MM

CUSTOMER USE DRAWING		PART NO.	SEE TABLE 1	REV	N/A
		DRAWING NO.	C-NDAAFF-C199	REV	C
SIZE	D	SCALE	1:1	SHEET	1 OF 1



X-ON Electronics

Largest Supplier of Electrical and Electronic Components

Click to view similar products for [Ethernet Cables / Networking Cables](#) category:

Click to view products by [Amphenol](#) manufacturer:

Other Similar products are found below :

[73-6670-7](#) [73-6680-15](#) [73-7797-25](#) [MCJB2-10P6Q7-120](#) [84909-0204](#) [1200700174](#) [1200860368](#) [E16A06002M030](#) [E200102-009-S1](#)
[AX105346-EW](#) [MT14-187L](#) [17-103530](#) [ERWPAB3002M005](#) [190-038045-01](#) [NK5EPC18RDY](#) [NK5EPC18VLY](#) [NK5EPC18YLY](#)
[NK5EPC1GRY](#) [NK5EPC4Y](#) [NK5EPC6YLY](#) [NK5EPC8BLY](#) [NK5EPC9YLY](#) [1969343-6](#) [C501100010](#) [C501106002](#) [C501106007](#)
[C501106015](#) [C501106025](#) [C601102010](#) [C601104010](#) [C601106007](#) [C601106015](#) [2142758-2](#) [2168427-2](#) [CAT1106007](#) [21949-1](#) [2J1866A](#)
[RJF SFTP 5E 0500](#) [AX100351](#) [MN14CEC/ST](#) [C501100015](#) [C501106004](#) [C501106010](#) [C5F1108007](#) [C601104004](#) [C601106004](#)
[CA21106004](#) [CA21106010](#) [CA21106015](#) [CA21109007](#)