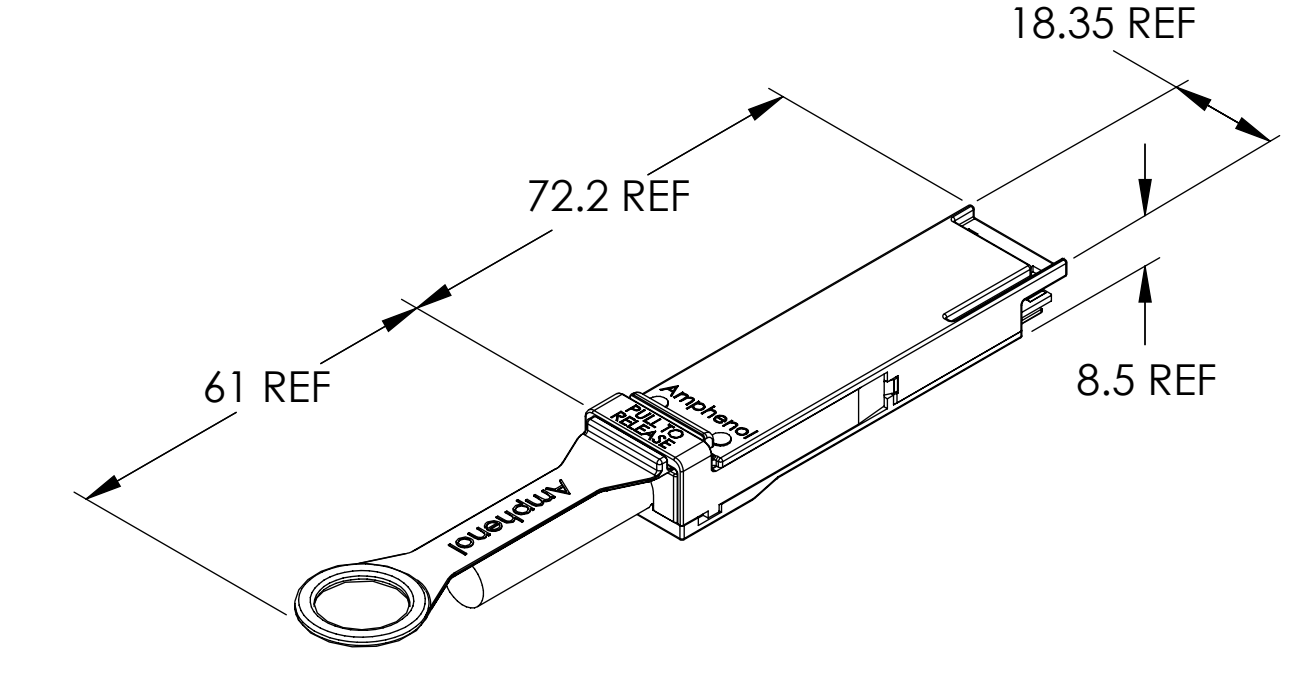
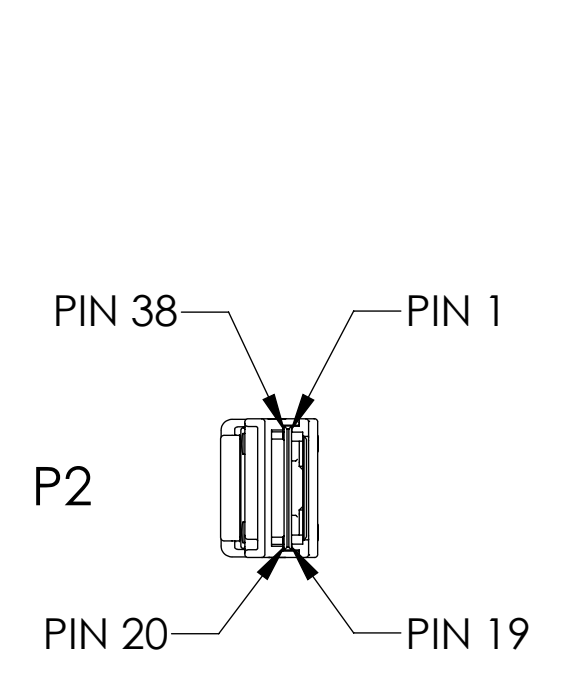
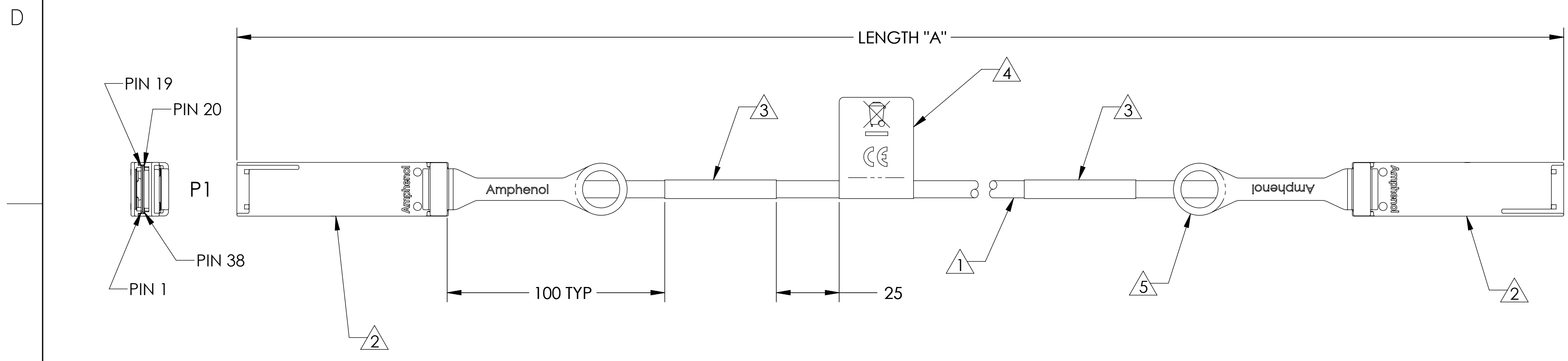


TABLE 1		
AHSP P/N	LENGTH "A" MM	CUSTOMER P/N
NDAAFJ-C102	5000 ±100	SF-NDAAFJ100G-005M
NDAAFJ-C103	2000 ±50	SF-NDAAFJ100G-002M
NDAAFJ-C104	3000 ±75	SF-NDAAFJ100G-003M
NDAAFJ-C105	4000 ±100	SF-NDAAFJ100G-004M

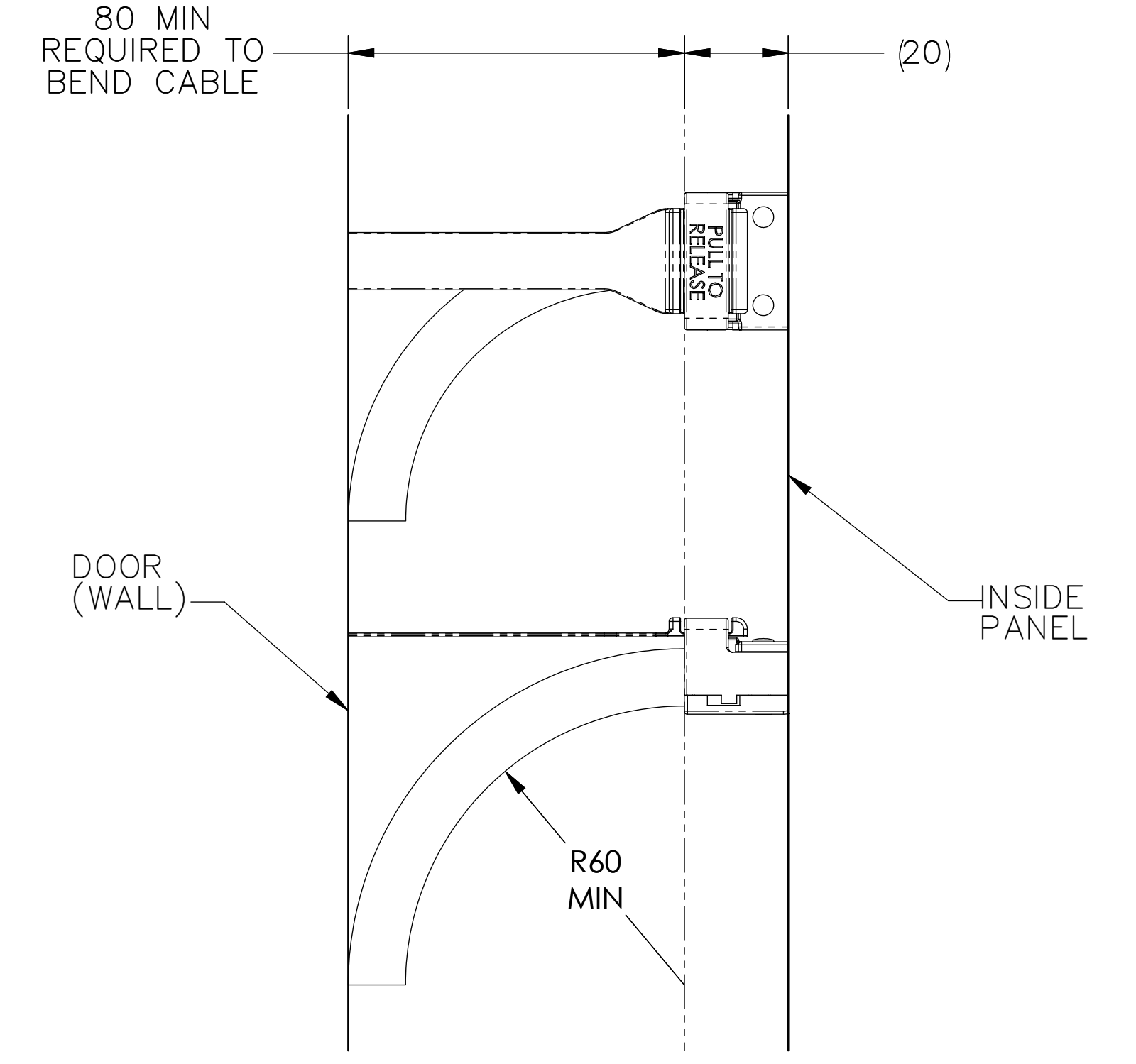
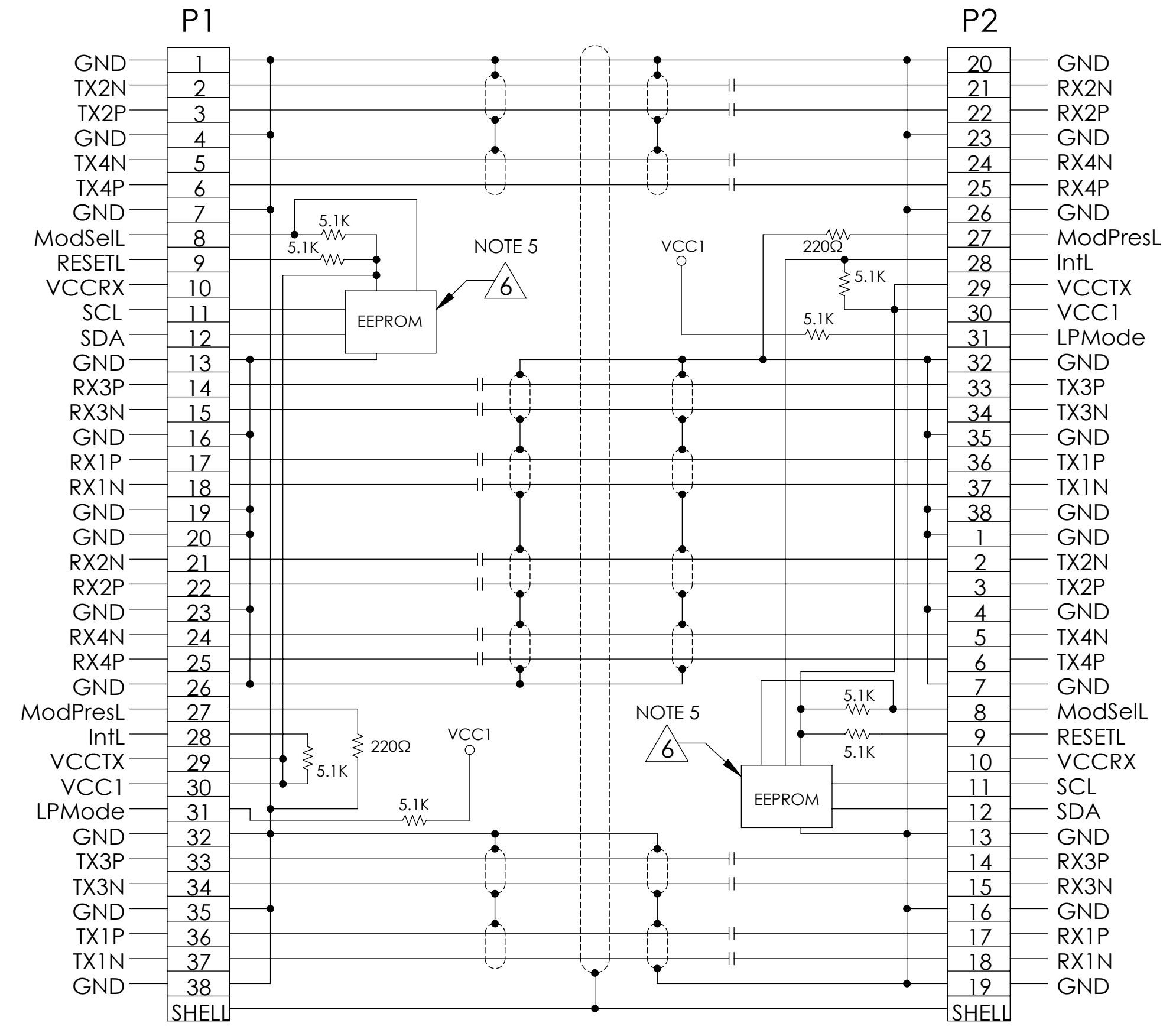
ZONE		REV.	ECN	DESCRIPTION	BY	DATE	APPROVED
B		DDYR-A3ZNVY.VER01		ADDED 2M & 3M ASSY LENGTHS IN TABLE 1	HCL	11/19/2015	DD
C		DDYR-A8KPV.VER01		REVISED TITLE BLOCK	DC	3/31/2016	DC
D		DDYR-18091101		ADDED NDAAFJ-C105 AHSP P/N IN TABLE 1.	HCL-SH	09/19/2018	D.DYER

NOTE: ONLY THREE MOST RECENT RELEASED REVISIONS DISPLAYED.



QSFDP DIECAST DIMENSIONS

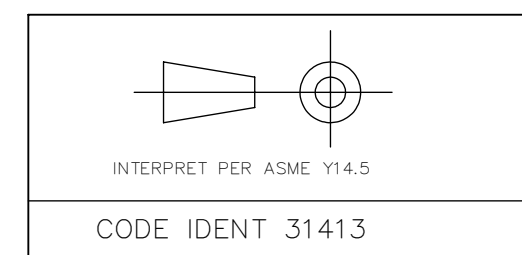
TABLE 2	
ITEM No.	DESCRIPTION
1	26 AWG, 8-PR, PVC BLACK, UL 75°C CL2
2	PLUG, QSFDP+, REFERENCE SFF-8661
3	LABEL, WRAPPED - AHSP P/N, REV, DATE CODE, LENGTH, CoO & SERIAL NUMBER
4	LABEL, FLAGGED - WEEE LOGO AND CE LOGO
5	LANYARD - PANTONE 347C (GREEN)
6	EPROM - REFERENCE SFF-8636, PAGE A0 ONLY



RADIUS FROM EDGE OF DIECAST

- UL LABEL MUST BE ON THE SHIPPING CARTON PER SUBJECT 764 OF THE UL COMPONENT WIRING HARNESS (ZPFW2) FILE #E86140. CSA LABEL MUST BE ON SHIPPING CARTON.
 - PACKAGE COMPLETED ASSY IN AN APPROPRIATELY SIZED ESD BAG.
 - EPROM CONTENT SHALL BE COMPLIANT WITH SFF-8636 SPECIFICATIONS FOR 100G BASE-CR4. EPROM REVISION IS EQUAL TO AHSP PART NUMBER REVISION.
 - CABLE ASSEMBLIES MUST MEET SHIELDING EFFECTIVENESS REQUIREMENTS OF 35dB FROM 1-10GHz AND 30dB FROM 10-18GHz.
 - COMPLIANT TO EU DIRECTIVE 2011/65/EU - RoHS2.
 - ASSEMBLIES SHALL BE COMPLIANT TO 100GBASE-CR4 SPECIFICATION.
 - THIS DRAWING IS RESERVED FOR AMPHENOL CABLES ON DEMAND.
- NOTES: UNLESS OTHERWISE SPECIFIED

NOTE: DC BLOCKING CAP VALUE IS 0.1μ FEPROM CONNECTED TO VCCTX



TOLERANCES	DWN	10/13/2015	DC	Amphenol AHSP A Division of Amphenol Corporation 200 Innovative Way, Suite 201, Nashua, N.H. 03062 (603) 879-3000
0.0	± 0.25	CHK	10/13/2015	
0.00	± 0.08		DD	
0.000	± -	APVD	10/13/2015	
ANGLES	± 1.0°		EM	TITLE CABLE ASSEMBLY, QSFDP/QSFP, PSV, 100Ω, 100 GbE, 26 AWG EXD
UNLESS OTHERWISE SPECIFIED DIMENSIONS ARE IN MM				PART NO. SEE TABLE 1
CUSTOMER USE DRAWING				REV N/A
DRAWING NO. C-NDAAFJ-C199				REV D
SIZE D	SCALE 1:1	SHEET 1 OF 1		

X-ON Electronics

Largest Supplier of Electrical and Electronic Components

Click to view similar products for [Ethernet Cables / Networking Cables](#) category:

Click to view products by [Amphenol](#) manufacturer:

Other Similar products are found below :

[73-6670-7](#) [73-6680-15](#) [73-7797-25](#) [MCJB2-10P6Q7-120](#) [84909-0204](#) [1200700174](#) [1200860368](#) [E16A06002M030](#) [E200102-009-S1](#)
[AX105346-EW](#) [MT14-187L](#) [17-103530](#) [ERWPAB3002M005](#) [190-038045-01](#) [NK5EPC18RDY](#) [NK5EPC18VLY](#) [NK5EPC18YLY](#)
[NK5EPC1GRY](#) [NK5EPC4Y](#) [NK5EPC6YLY](#) [NK5EPC8BLY](#) [NK5EPC9YLY](#) [1969343-6](#) [C501100010](#) [C501106002](#) [C501106007](#)
[C501106015](#) [C501106025](#) [C601102010](#) [C601104010](#) [C601106007](#) [C601106015](#) [2142758-2](#) [2168427-2](#) [CAT1106007](#) [SR02P0-26E5-15.0](#)
[SR02S0-26E5-15.0](#) [21949-1](#) [2J1866A](#) [RJF SFTP 5E 0500](#) [AX100351](#) [MN14CEC/ST](#) [C501100015](#) [C501106004](#) [C501106010](#) [C5F1108007](#)
[C601104004](#) [C601106004](#) [CA21106004](#) [CA21106010](#)