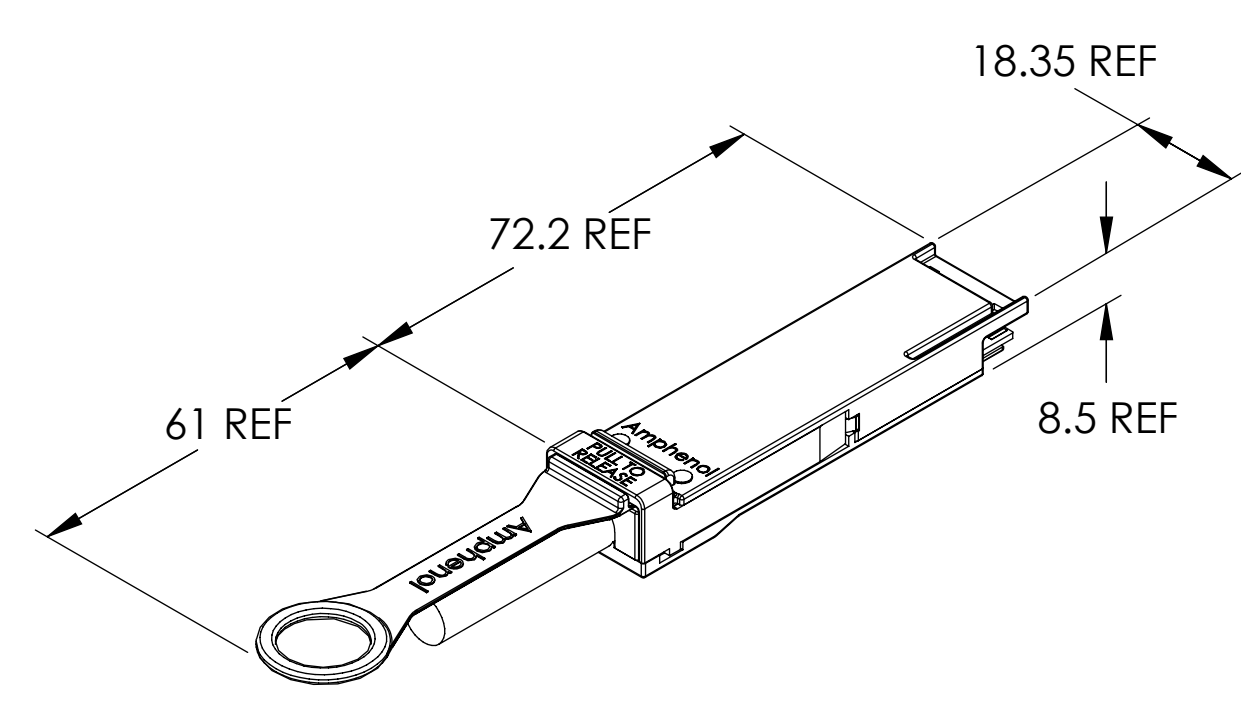
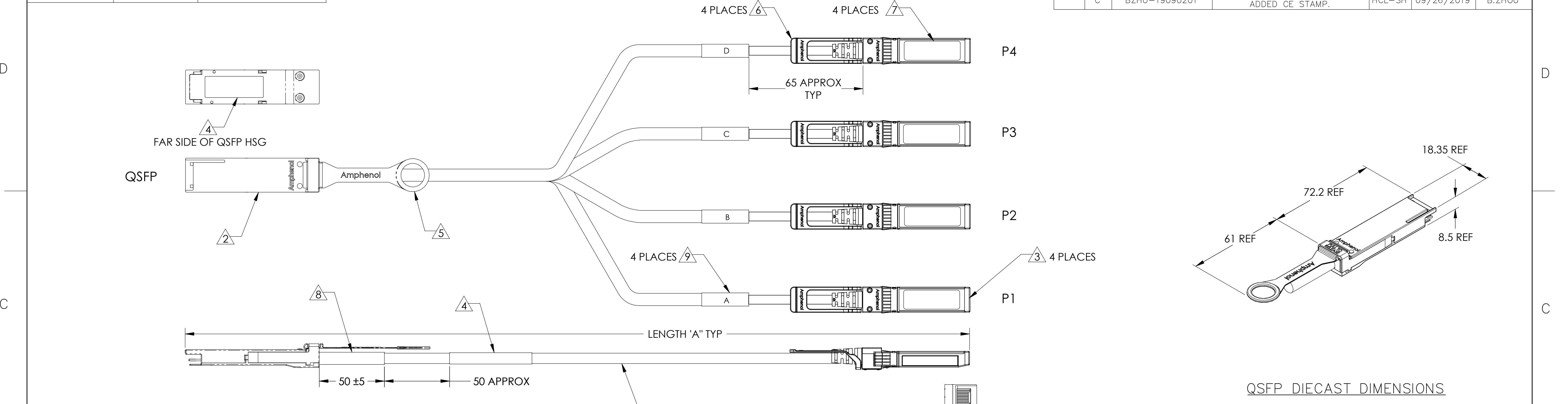
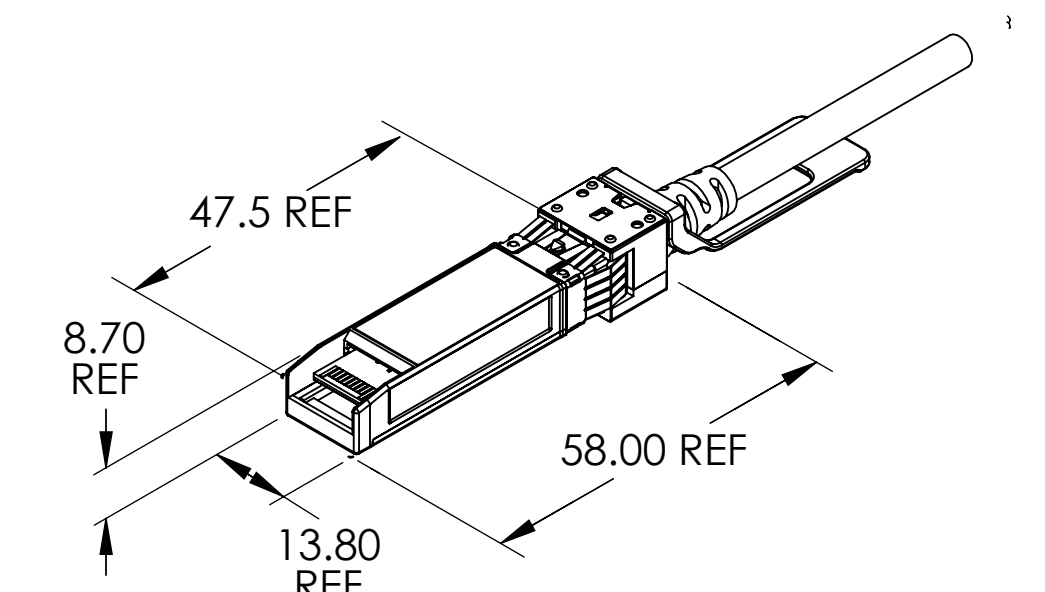


ZONE	REV.	ECN NUMBER	DESCRIPTION	BY	DATE	APPROVED
	A	DDYR-A3AQYK.VER01	NEW RELEASE		10/15/2015	DC
	B	DDYR-A8KPV.VER01	REVISED TITLE BLOCK	DC	3/31/2016	DC
	C	BZHU-19090201	CHANGED TO SFP GEN3 DESIGN. ADDED CE STAMP.	HCL-SH	09/26/2019	B.ZHOU

AHSP P/N	LENGTH "A"	CUSTOMER P/N
NDAQGF-C101	1000 ±25	SF-NDAQGF100G-001M
NDAQGF-C102	2000 ±50	SF-NDAQGF100G-002M
NDAQGF-C103	3000 ±75	SF-NDAQGF100G-003M

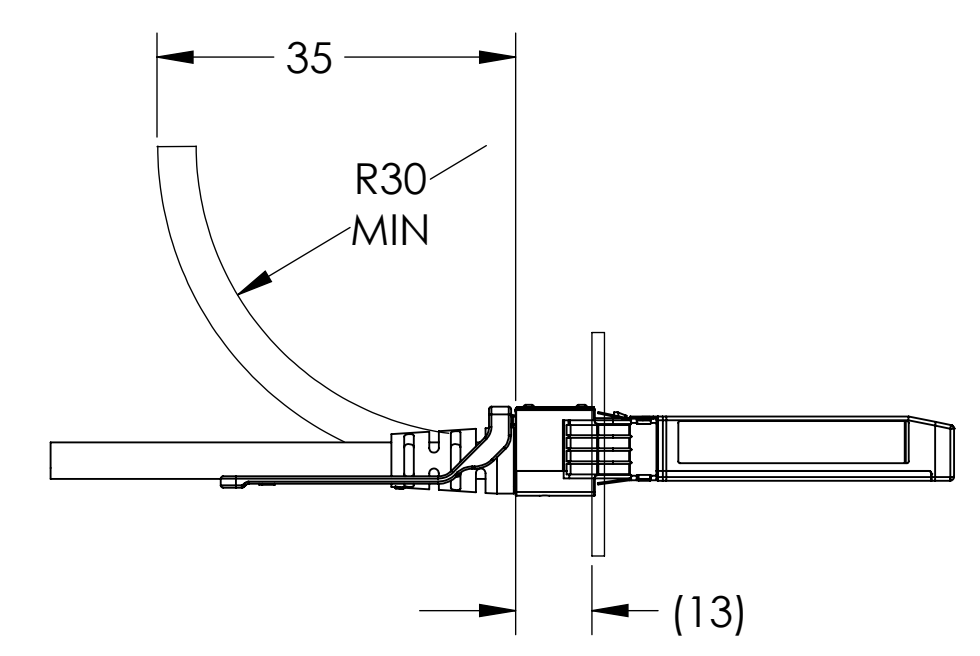
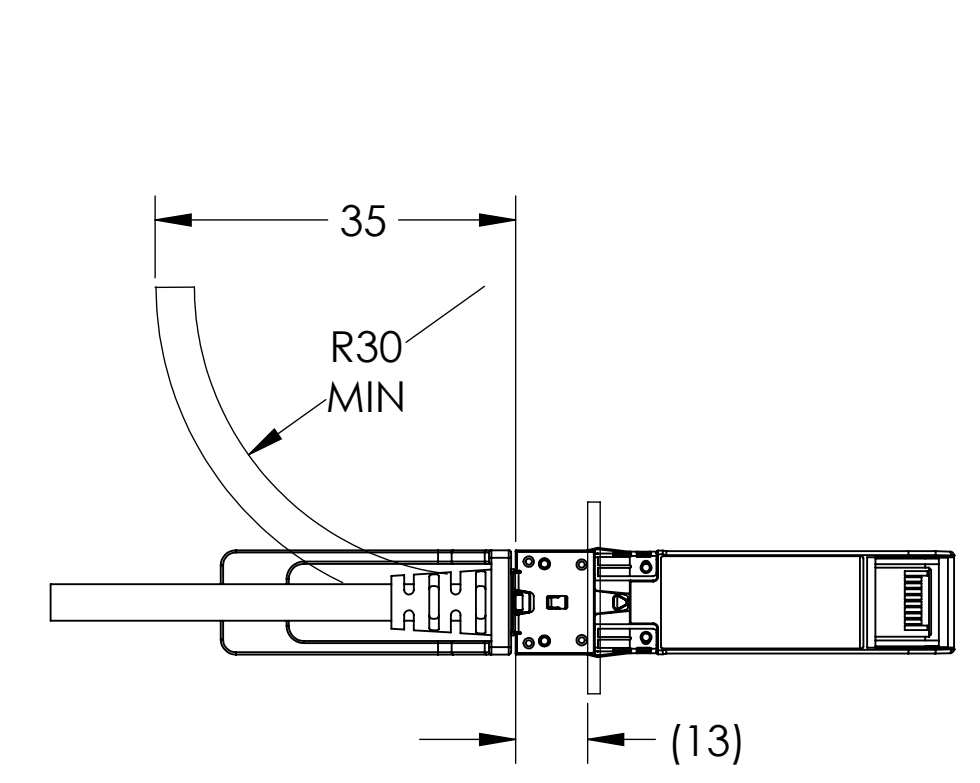


QSFP DIECAST DIMENSIONS

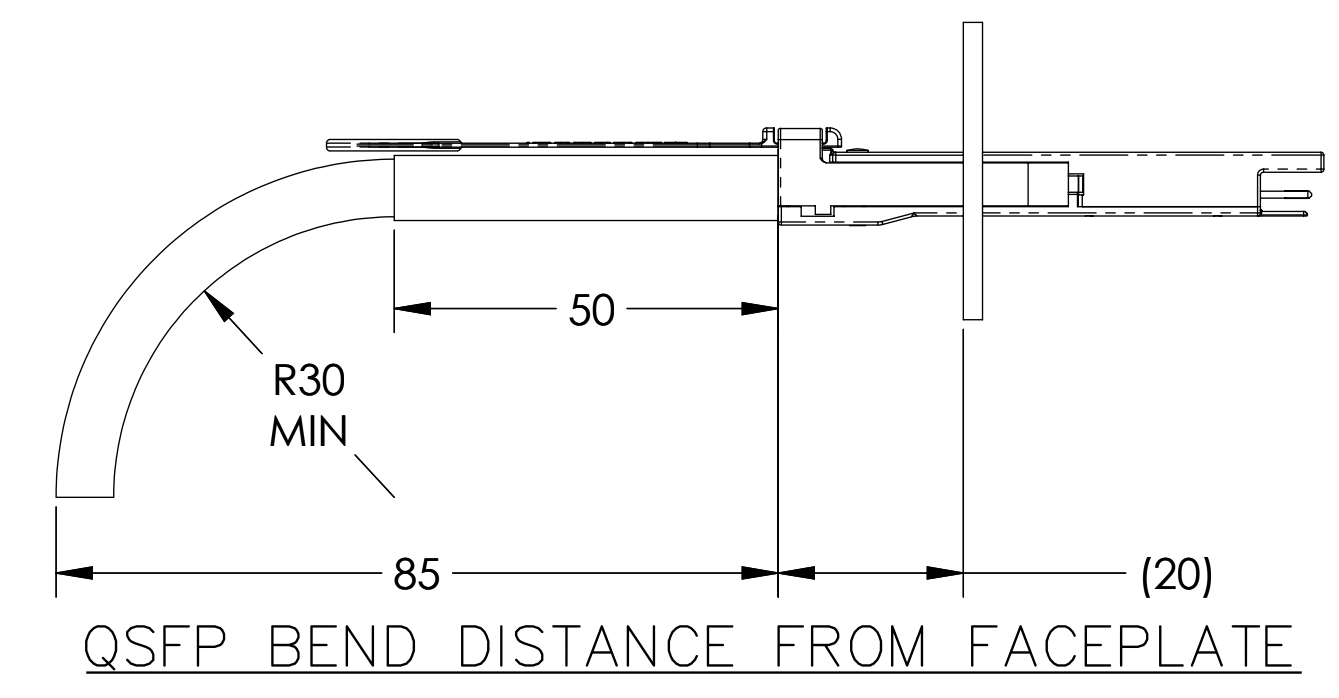
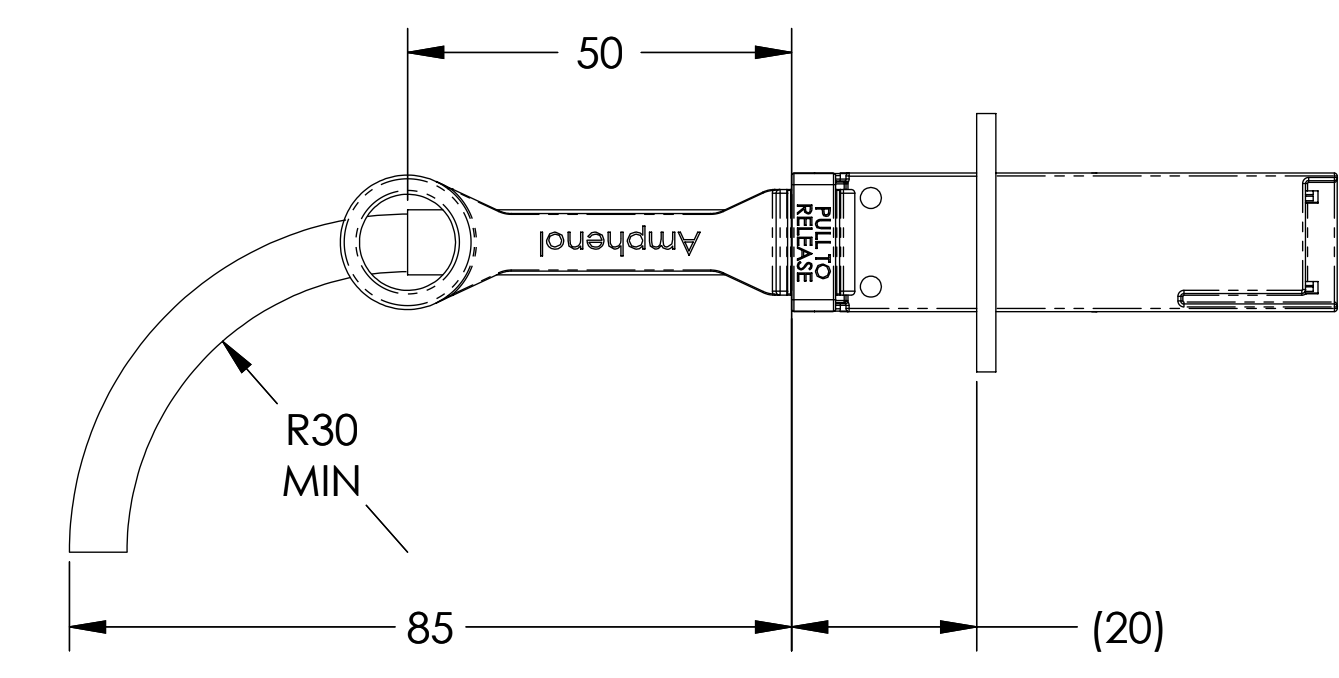


SFP+ DIECAST DIMENSIONS

ITEM No.	DESCRIPTION
1	30 AWG, 2-PR, PVC BLACK, AWM STYLE 20276 80°C VW-1
2	PLUG, QSFP+, REFERENCE SFF-8661
3	PLUG, SFP+, REFERENCE SFF-8432, PULL TO RELEASE
4	LABEL, QSFP CONN - AHSP P/N, REV, DATE CODE, LENGTH, CoO & SERIAL NUMBER
5	QSFP LANYARD - GREEN (PANTONE 347C)
6	SFP+ LANYARD - GREEN (PANTONE 347C)
7	LABEL, SFP CONN - AHSP P/N, REV, DATE CODE, LENGTH, CoO & SERIAL NUMBER
8	SHRINK TUBING
9	LABEL, REFERENCE DESIGNATOR

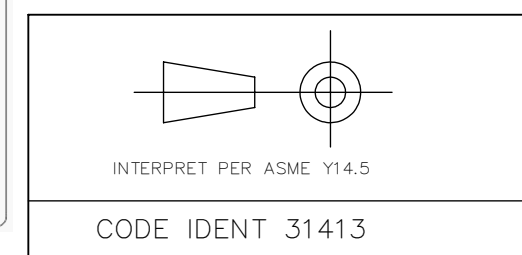


SFP+ BEND DISTANCE FROM FACEPLATE



QSFP BEND DISTANCE FROM FACEPLATE

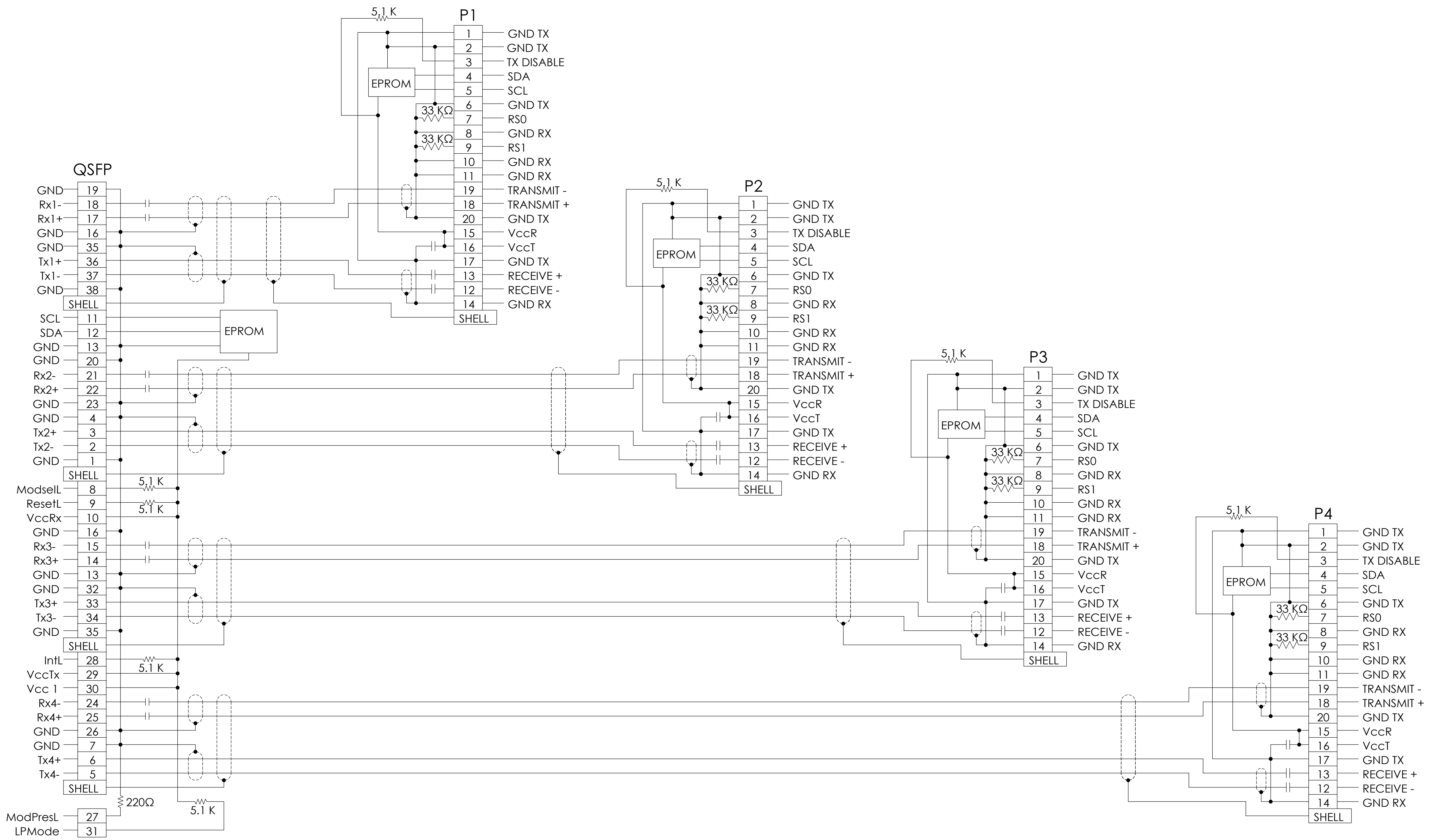
- 9. CABLE ASSEMBLIES SHALL BE TESTED PER AMPHENOL SPECIFICATIONS AND PROCEDURES.
 - 8. CABLE ASSEMBLIES, COMPONENTS, SUB-COMPONENTS, MATERIALS AND MFG PROCESSES MUST MEET AMPHENOL SPECIFICATIONS.
 - 7. UL LABEL MUST BE ON THE SHIPPING CARTON PER SUBJECT 764 OF THE UL COMPONENT WIRING HARNESS (ZPFW2) FILE #E86140. CSA LABEL MUST BE ON SHIPPING CARTON.
 - 6. PACKAGE COMPLETED ASSY IN AN APPROPRIATELY SIZED ESD BAG.
 - 5. EPROM CONTENT SHALL BE COMPLIANT WITH SFF -8636 AND SFF-8472 SPECIFICATIONS FOR 100GBASE-CR4. EPROM REVISION IS EQUAL TO AHSP PART NUMBER REVISION.
 - 4. CABLE ASSEMBLIES MUST MEET SHIELDING EFFECTIVENESS REQUIREMENTS OF 35dB FROM 1-10GHz AND 30dB FROM 10-18GHz.
 - 3. COMPLIANT TO EU DIRECTIVE 2011/65/EU - RoHS2.
 - 2. ASSEMBLIES SHALL BE COMPLIANT TO 100GBASE-CR4 SPECIFICATION.
 - 1. THIS DRAWING IS RESERVED FOR AMPHENOL CABLES ON DEMAND.
- NOTES: UNLESS OTHERWISE SPECIFIED



TOLERANCES	DWN 10/12/2015 DC	Amphenol AHSP A Division of Amphenol Corporation 200 Innovative Way, Suite 201, Nashua, N.H. 03062 (603) 879-3000
0.0 ± 0.25	CHK 10/12/2015 DD	
0.00 ± 0.08	APVD 10/12/2015 EM	
0.000 ± -		
ANGLES ± 1.0°		TITLE: CABLE ASSEMBLY, QSFP/(4)SFP+, PSV, 100G, 100GbE, 30AWG PART NO. SEE TABLE 1 REV N/A DRAWING NO. C-NDAQGF-C199 REV C SIZE D SCALE 1:1 SHEET 1 OF 2

CUSTOMER USE DRAWING

REVISIONS						
ZONE	REV.	ECN NUMBER	DESCRIPTION	BY	DATE	APPROVED
			SEE SHEET 1			



NOTE: DC BLOCKING CAP VALUE IS 0.1μF

TOLERANCES	DWN 10/12/2015	Amphenol AHSP A Division of Amphenol Corporation 200 Innovative Way, Suite 201, Nashua, N.H. 03062 (603) 879-3000 TITLE CABLE ASSEMBLY, QSFP/(4)SFP+, PSV, 100Ω, 100GbE, 30AWG	
0.0	± 0.25		DC
0.00	± 0.08		CHK 10/12/2015
0.000	± 0.00		DD
ANGLES	± 1.0°		APVD 10/12/2015
UNLESS OTHERWISE SPECIFIED DIMENSIONS ARE IN MM		EM	
INTERPRET PER ASME Y14.5 CODE IDENT 31413		PART NO. SEE TABLE 1 DRAWING NO. C-NDAQGF-C199 SIZE D SCALE 1:1 SHEET 2 OF 2	

CUSTOMER USE DRAWING

X-ON Electronics

Largest Supplier of Electrical and Electronic Components

Click to view similar products for [Ethernet Cables / Networking Cables](#) category:

Click to view products by [Amphenol](#) manufacturer:

Other Similar products are found below :

[73-6670-7](#) [73-6680-15](#) [73-7797-25](#) [MCJB2-10P6Q7-120](#) [84909-0204](#) [1200700174](#) [1200860368](#) [E16A06002M030](#) [E200102-009-S1](#)
[AX105346-EW](#) [MT14-187L](#) [17-103530](#) [ERWPAB3002M005](#) [190-038045-01](#) [NK5EPC18RDY](#) [NK5EPC18VLY](#) [NK5EPC18YLY](#)
[NK5EPC1GRY](#) [NK5EPC4Y](#) [NK5EPC6YLY](#) [NK5EPC8BLY](#) [NK5EPC9YLY](#) [1969343-6](#) [C501100010](#) [C501106002](#) [C501106007](#)
[C501106015](#) [C501106025](#) [C601102010](#) [C601104010](#) [C601106007](#) [C601106015](#) [2142758-2](#) [2168427-2](#) [CAT1106007](#) [SR02P0-26E5-15.0](#)
[SR02S0-26E5-15.0](#) [21949-1](#) [2J1866A](#) [RJF SFTP 5E 0500](#) [AX100351](#) [MN14CEC/ST](#) [C501100015](#) [C501106004](#) [C501106010](#) [C5F1108007](#)
[C601104004](#) [C601106004](#) [CA21106004](#) [CA21106010](#)