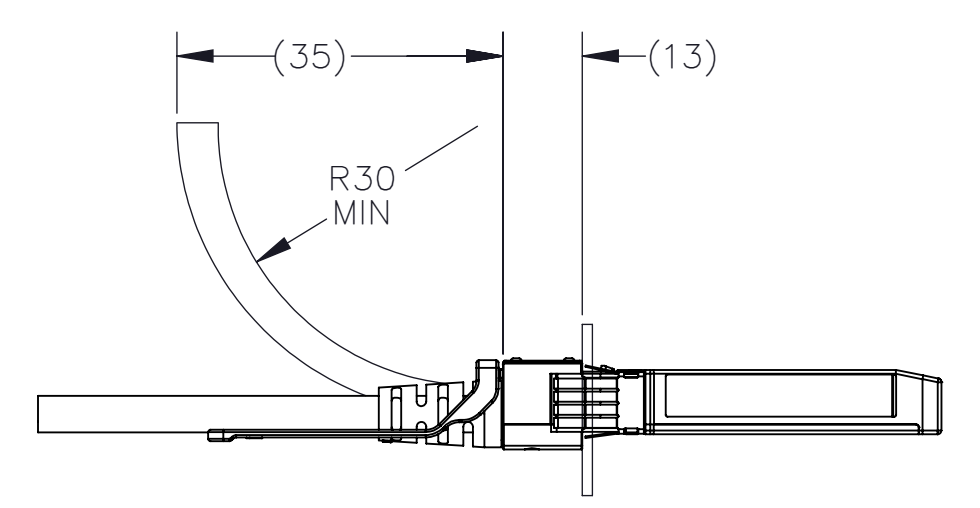
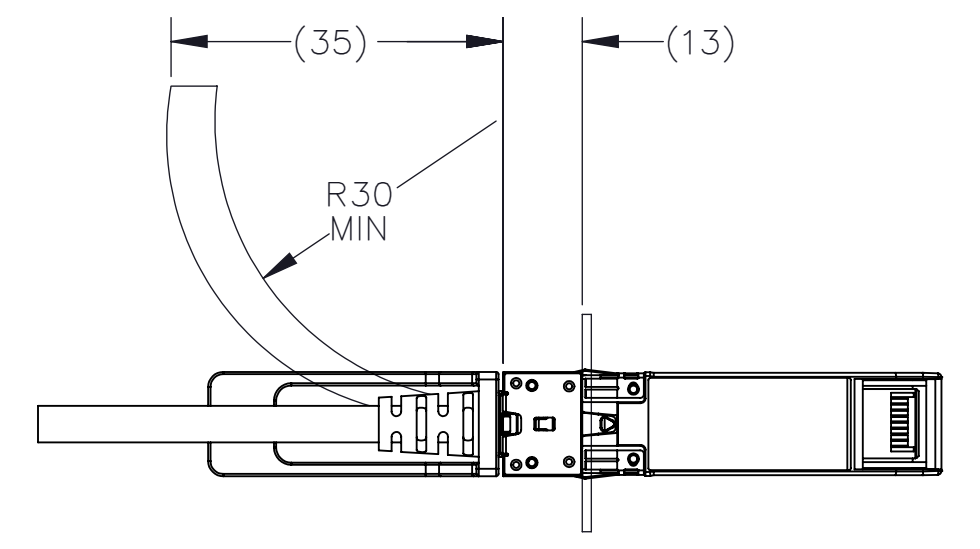
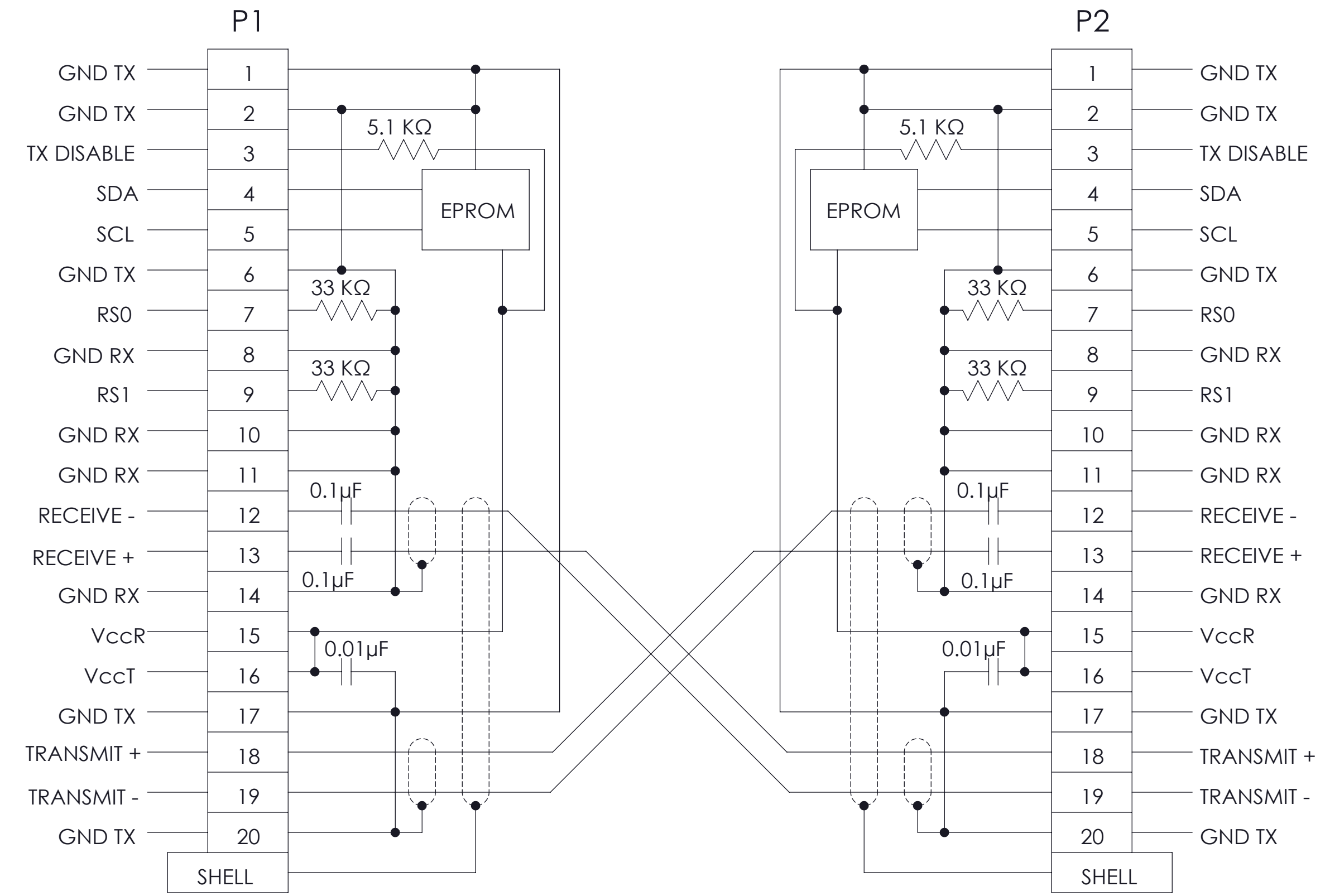
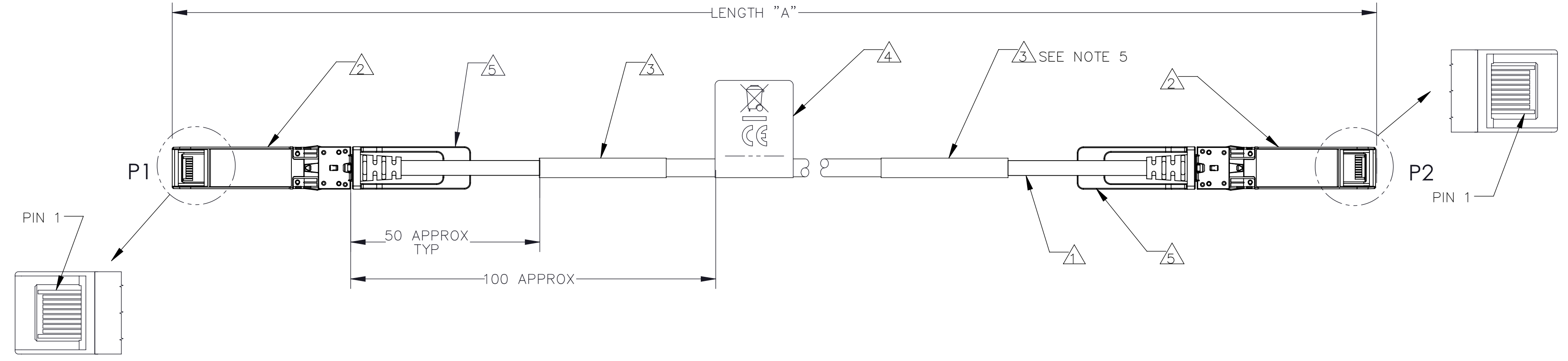


AHSP P/N	LENGTH "A"	CUSTOMER P/N
NDCCGF-C101	1000 ±25	SF-NDCCGF28GB-001M
NDCCGF-C102	2000 ±50	SF-NDCCGF28GB-002M
NDCCGF-C103	3000 ±75	SF-NDCCGF28GB-003M
NDCCGF-C104	500 ±12	SF-NDCCGF28GB-000.5M
NDCCGF-C105	1500 ±38	SF-NDCCGF28GB-001.5M

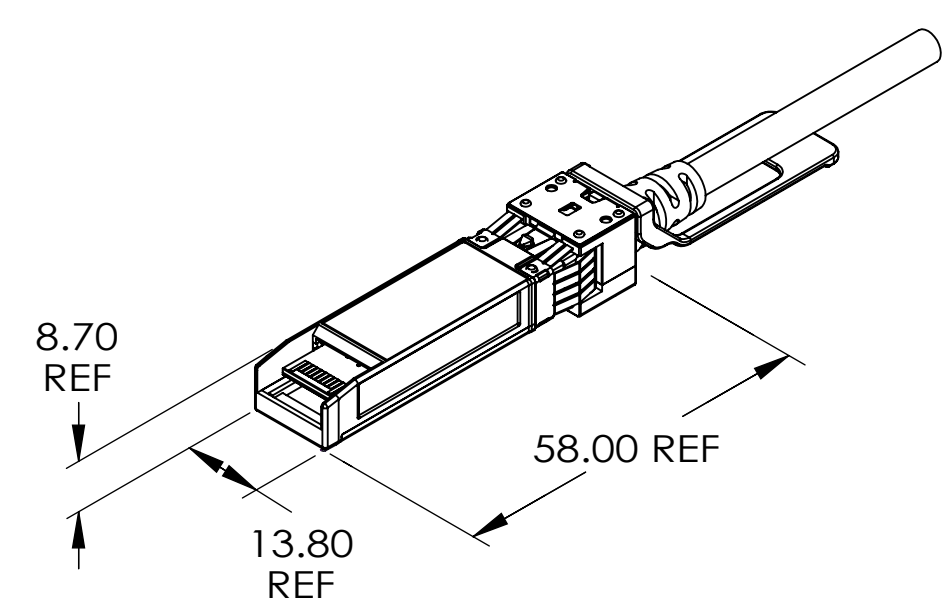
ZONE	REV.	ECN NUMBER	DESCRIPTION	BY	DATE	APPROVED
	D	JSHI-18080701	ADDED 1.5M LENGTH TO TABLE 1.	JS	08/07/2018	WALLACE Z
	E	BZHU-19090202	CHANGED TO SFP GEN3 DESIGN.	HCL-SH	09/25/2019	B.ZHOU
	F	BZHU-20042101	ADD REF VALUE	R.LI	04/29/2020	W.ZHANG

NOTE: ONLY THREE MOST RECENT RELEASED REVISIONS DISPLAYED.

ITEM No.	DESCRIPTION
1	30 AWG EXD, 2-PR., PVC BLACK, AWM STYLE 20276 80°C VW-1
2	PLUG, SFP+, REFERENCE SFF-8432, PULL TO RELEASE
3	LABEL, WRAPPED - AHSP P/N, REV, DATE CODE, LENGTH, CoO, & SERIAL NUMBER
4	LABEL, FLAGGED - WEEE LOGO AND CE LOGO
5	LANYARD, GREEN

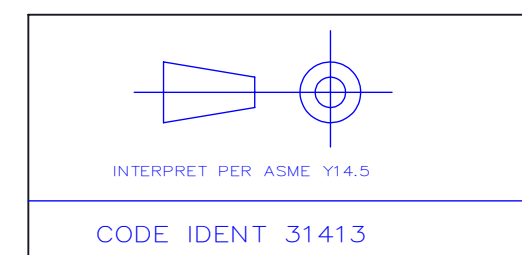


BEND DISTANCE FROM EDGE OF DIECAST



SFP+ DIECAST DIMENSIONS

- UL LABEL MUST BE ON SHIPPING CARTON PER SUBJECT 764 OF THE UL COMPONENT WIRING HARNESS (ZPFW2) FILE #E86140. CSA LABEL MUST BE ON SHIPPING CARTON.
 - PACKAGE COMPLETED ASSY IN AN APPROPRIATELY SIZED ESD BAG.
 - EPROM CONTENT SHALL BE COMPLIANT WITH SFF-8472 SPECIFICATION. EPROM REVISION IS EQUAL TO AHSP PART NUMBER REVISION UNLESS OTHERWISE NOTED.
 - ASSEMBLIES LESS THAN ONE METER REQUIRE ONLY ONE LABEL PLACED ON P1 END.
 - CABLE ASSEMBLIES MUST MEET SHIELDING EFFECTIVENESS REQUIREMENTS OF 35dB MINIMUM FROM 1-10GHz AND 30dB FROM 10-18 GHz.
 - CABLE ASSEMBLIES, COMPONENTS AND SUB-COMPONENTS SHALL BE COMPLIANT TO EU DIRECTIVE 2011/65/EU-RoHS2.
 - ASSEMBLIES SHALL BE COMPLIANT TO SFF-8431 (APPENDIX E) SPECIFICATION.
 - THIS DRAWING IS RESERVED FOR AMPHENOL CABLES ON DEMAND.
- NOTES: UNLESS OTHERWISE SPECIFIED



TOLERANCES	DWN	10/12/2015	Amphenol AHSP A Division of Amphenol Corporation 200 Innovative Way, Suite 201, Nashua, NH 03062 (603) 879-3000
0.0	± 0.25	DC	
0.00	± 0.08	CHK	
0.000	± -	APVD	
ANGLES	± 1.0°	EM	
UNLESS OTHERWISE SPECIFIED DIMENSIONS ARE IN MM			TITLE CABLE ASSEMBLY, SFP+/SFP+, 28Gbps, PASSIVE, 100Ω, 30 AWG EXD
PART NO.		SEE TABLE 1	REV N/A
DRAWING NO.		C-NDCCGF-C199	REV F
SIZE D	SCALE	1:1	SHEET 1 of 1

CUSTOMER USE DRAWING

X-ON Electronics

Largest Supplier of Electrical and Electronic Components

Click to view similar products for [Ethernet Cables / Networking Cables](#) category:

Click to view products by [Amphenol](#) manufacturer:

Other Similar products are found below :

[73-6670-7](#) [73-6680-15](#) [73-7797-25](#) [MCJB2-10P6Q7-120](#) [84909-0204](#) [1200700174](#) [1200860368](#) [E16A06002M030](#) [E200102-009-S1](#)
[AX105346-EW](#) [MT14-187L](#) [17-103530](#) [ERWPAB3002M005](#) [190-038045-01](#) [NK5EPC18RDY](#) [NK5EPC18VLY](#) [NK5EPC18YLY](#)
[NK5EPC1GRY](#) [NK5EPC4Y](#) [NK5EPC6YLY](#) [NK5EPC8BLY](#) [NK5EPC9YLY](#) [1969343-6](#) [C501100010](#) [C501106002](#) [C501106007](#)
[C501106015](#) [C501106025](#) [C601102010](#) [C601104010](#) [C601106007](#) [C601106015](#) [2142758-2](#) [2168427-2](#) [CAT1106007](#) [SR02P0-26E5-15.0](#)
[SR02S0-26E5-15.0](#) [21949-1](#) [2J1866A](#) [RJF SFTP 5E 0500](#) [AX100351](#) [MN14CEC/ST](#) [C501100015](#) [C501106004](#) [C501106010](#) [C5F1108007](#)
[C601104004](#) [C601106004](#) [CA21106004](#) [CA21106010](#)