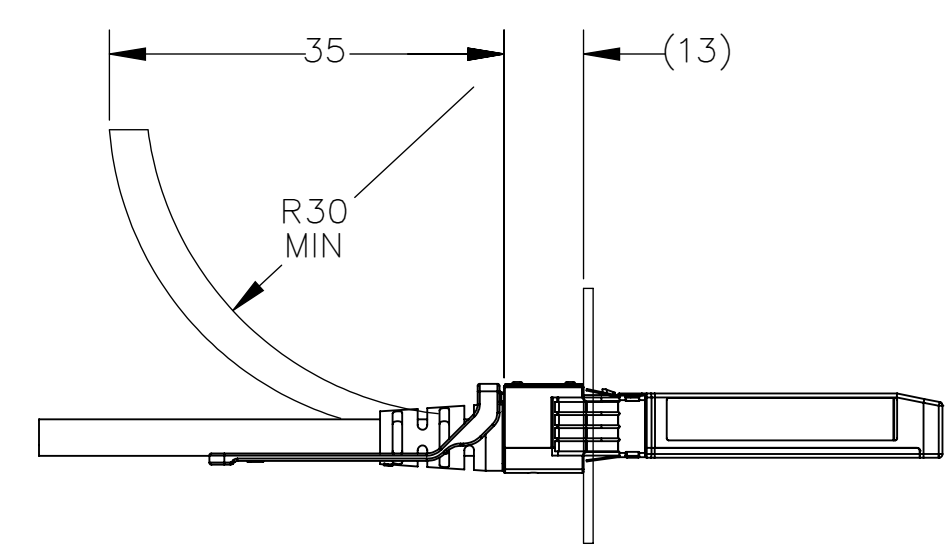
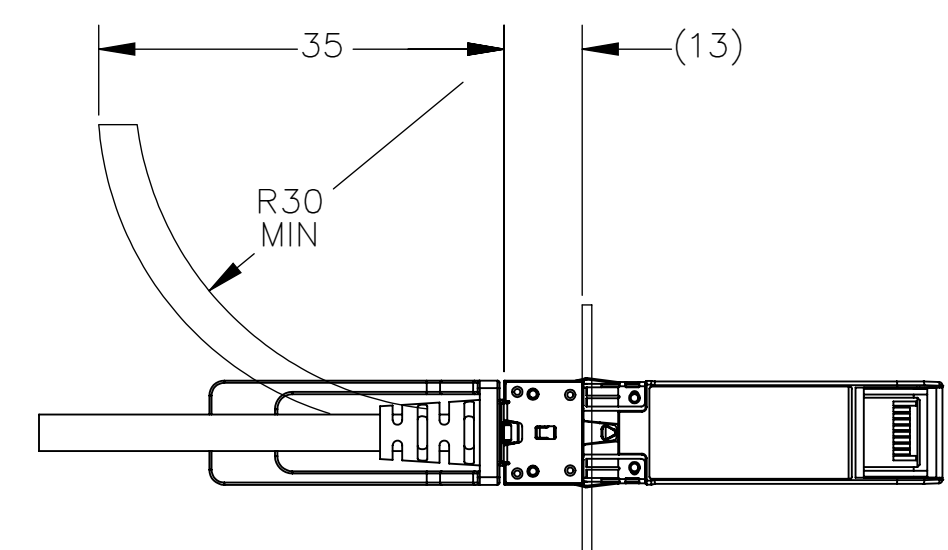
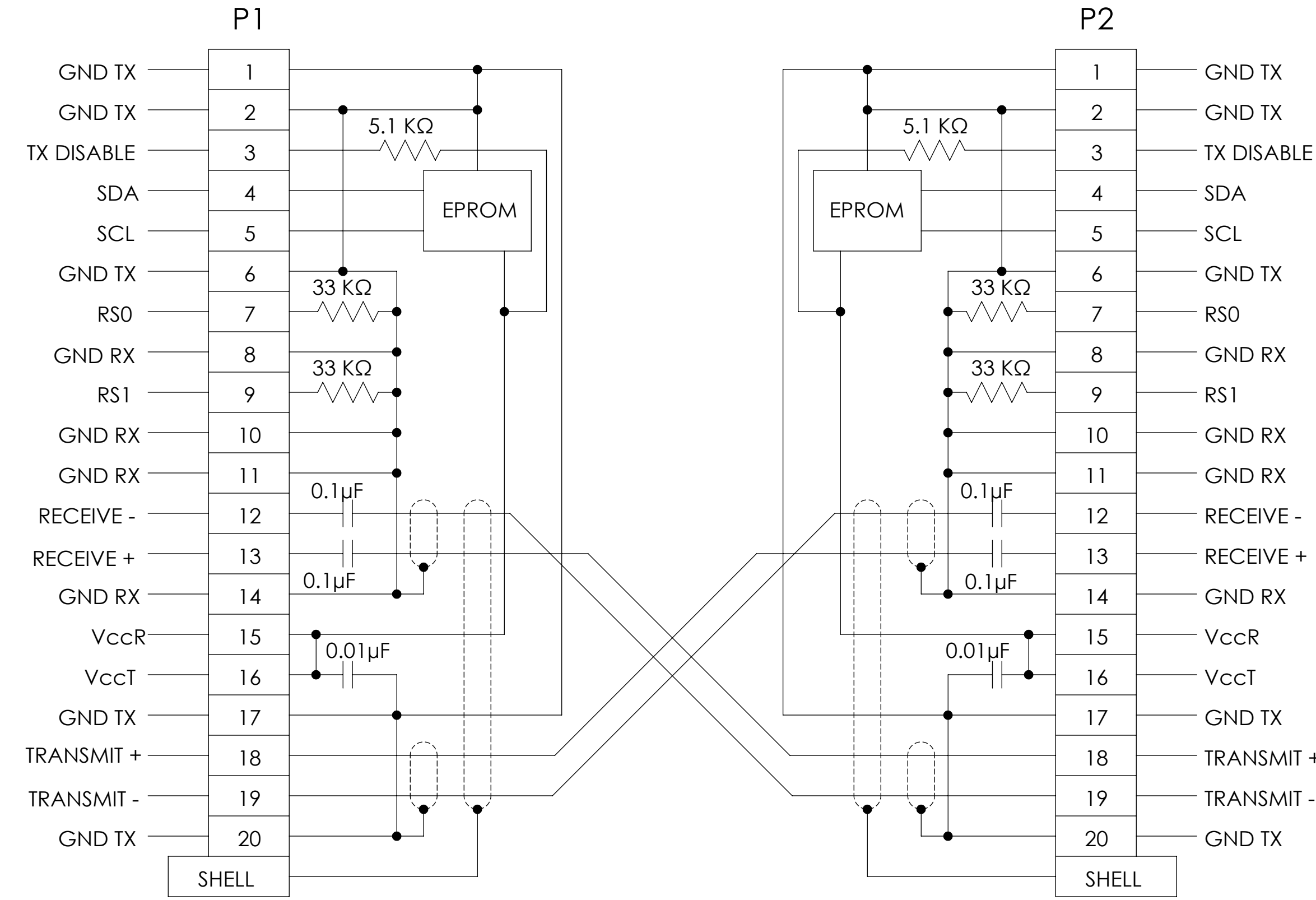
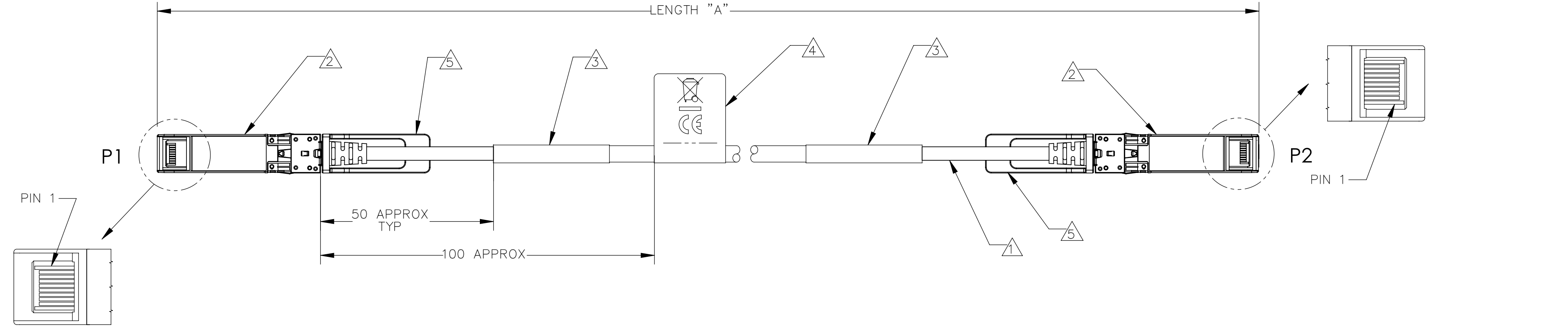


AHSP P/N	LENGTH "A" (MM)	CUSTOMER P/N
NDCCGJ-C102	5000 ±125	SF-NDCCGJ28GB-005M
NDCCGJ-C103	2000 ± 50	SF-NDCCGJ28GB-002M
NDCCGJ-C104	3000 ± 75	SF-NDCCGJ28GB-003M
NDCCGJ-C105	3500 ± 75	SF-NDCCGJ28GB-003.5M

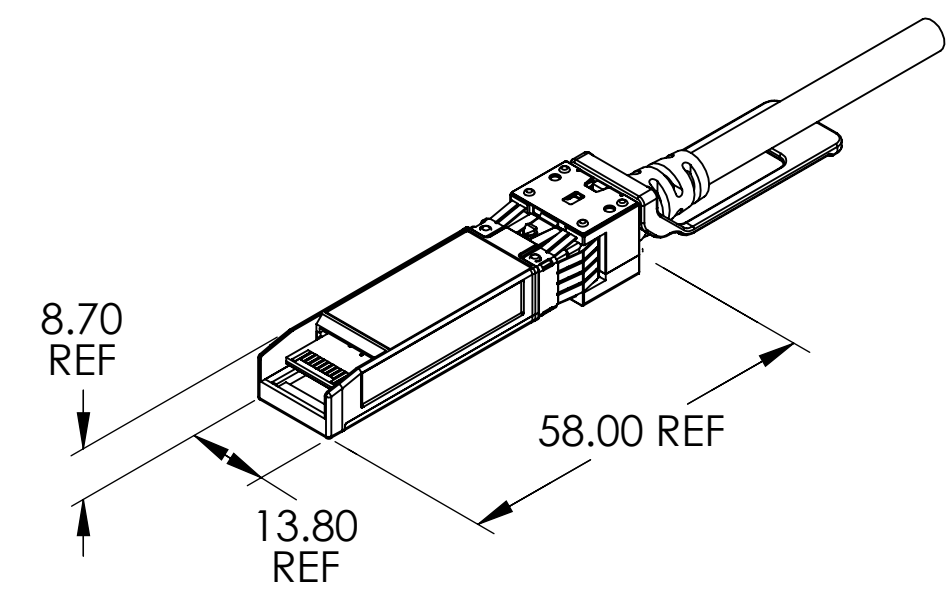
ZONE	REV.	ECN NUMBER	DESCRIPTION	BY	DATE	APPROVED
C8-C7	C	TBEE-ACULJU.VER01	REMOVED BAG LABEL DETAIL	HCL	09/14/2016	T.BERTHAUME
	D	DDYR-18092101	ADDED -C105 TO TABLE 1.	HCL-SH	09/27/2018	JM
	G	BZHU-19090202	CHANGED TO SFP GEN3 DESIGN. REVISION MATCH TO 'P' PRINT.	HCL-SH	09/25/2019	B.ZHOU

NOTE: ONLY THREE MOST RECENT RELEASED REVISIONS DISPLAYED  
OMITTED REVISIONS NOT RELEASED CHANGES INCORPORATED IN LATER REVISION.

ITEM No.	DESCRIPTION
1	26 AWG EXD, 2-PR., PVC BLACK, AWM STYLE 20276 80°C VW-1
2	PLUG, SFP+, REFERENCE SFF-8432, PULL TO RELEASE
3	LABEL, WRAPPED - AHSP P/N, REV, DATE CODE, LENGTH, CoO, & SERIAL NUMBER
4	LABEL, FLAGGED - WEEE LOGO AND CE LOGO
5	LANYARD, GREEN

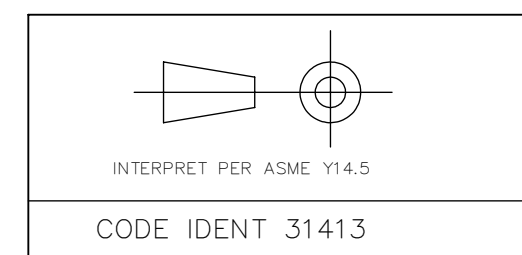


BEND DISTANCE FROM EDGE OF DIECAST



SFP+ DIECAST DIMENSIONS

- UL LABEL MUST BE ON SHIPPING CARTON PER SUBJECT 764 OF THE UL COMPONENT WIRING HARNESS (ZPFW2) FILE #E86140. CSA LABEL MUST BE ON SHIPPING CARTON.
  - PACKAGE COMPLETED ASSY IN AN APPROPRIATELY SIZED ESD BAG.
  - EPROM CONTENT SHALL BE COMPLIANT WITH SFF-8472 SPECIFICATION. EPROM REVISION IS EQUAL TO AHSP PART NUMBER REVISION UNLESS OTHERWISE NOTED.
  - CABLE ASSEMBLIES MUST MEET SHIELDING EFFECTIVENESS REQUIREMENTS OF 35dB MINIMUM FROM 1-10GHz AND 30dB FROM 10-18 GHz.
  - CABLE ASSEMBLIES, COMPONENTS AND SUB-COMPONENTS SHALL BE COMPLIANT TO EU DIRECTIVE 2011/65/EU-RoHS2.
  - ASSEMBLIES SHALL BE COMPLIANT TO SFF-8431 (APPENDIX E) SPECIFICATION.
  - THIS DRAWING IS RESERVED FOR AMPHENOL CABLES ON DEMAND.
- NOTES: UNLESS OTHERWISE SPECIFIED



TOLERANCES	DWN	10/12/2015	DC	<b>Amphenol AHSP</b> A Division of Amphenol Corporation 200 Innovative Way, Suite 201, Nashua, N.H. 03062 (603) 879-3000
0.0	± 0.25	CHK	10/12/2015	
0.00	± 0.08	DD		
0.000	±	APVD	10/12/2015	
ANGLES	± 1.0°	EM		TITLE CABLE ASSEMBLY, SFP+/SFP+, 28Gbps, PASSIVE, 100Ω, 26 AWG EXD
UNLESS OTHERWISE SPECIFIED DIMENSIONS ARE IN MM				PART NO. SEE TABLE 1
CUSTOMER USE DRAWING				REV N/A
DRAWING NO. C-NDCCGJ-C199				REV G
SIZE	D	SCALE	1:1	SHEET 1 OF 1

## X-ON Electronics

Largest Supplier of Electrical and Electronic Components

*Click to view similar products for [Ethernet Cables / Networking Cables](#) category:*

*Click to view products by [Amphenol](#) manufacturer:*

Other Similar products are found below :

[73-6670-7](#) [73-6680-15](#) [73-7797-25](#) [MCJB2-10P6Q7-120](#) [84909-0204](#) [1200700174](#) [1200860368](#) [E16A06002M030](#) [E200102-009-S1](#)  
[AX105346-EW](#) [MT14-187L](#) [17-103530](#) [ERWPAB3002M005](#) [190-038045-01](#) [NK5EPC18RDY](#) [NK5EPC18VLY](#) [NK5EPC18YLY](#)  
[NK5EPC1GRY](#) [NK5EPC4Y](#) [NK5EPC6YLY](#) [NK5EPC8BLY](#) [NK5EPC9YLY](#) [1969343-6](#) [C501100010](#) [C501106002](#) [C501106007](#)  
[C501106015](#) [C501106025](#) [C601102010](#) [C601104010](#) [C601106007](#) [C601106015](#) [2142758-2](#) [2168427-2](#) [CAT1106007](#) [SR02P0-26E5-15.0](#)  
[SR02S0-26E5-15.0](#) [21949-1](#) [2J1866A](#) [RJF SFTP 5E 0500](#) [AX100351](#) [MN14CEC/ST](#) [C501100015](#) [C501106004](#) [C501106010](#) [C5F1108007](#)  
[C601104004](#) [C601106004](#) [CA21106004](#) [CA21106010](#)