

TABLE 1			
AHSP P/N	LENGTH "A"	ACD P/N	DESCRIPTION
NDYYYYF-C101	1000±20MM	SF-NDYYYYF0001-001M	QSFP-DD 30AWG PASSIVE, 1M
NDYYYYF-C104	1500±30MM	SF-NDYYYYF0004-001.5M	QSFP-DD 30AWG PASSIVE, 1.5M

REVISIONS						
ZONE	REV.	ECN	DESCRIPTION	BY	DATE	APPROVED
ALL	A	MKHN-18121402	NEW RELEASE	HCL-PB	01/03/2019	M.HUSSAIN
	B	RGA0-20121604	ADDED ACD P/N COLUMN TO TABLE 1. ADDED CE STAMP TO SHEET 1. ADDED REFERENCE DIMENSION TO BENDING RADIUS	N.ZENG	12/17/2020	A.LI
	C	RGA0-21020302	ADDED DESCRIPTION COLUMN TO TABLE 1.	N.ZENG	2/4/2021	A.LI

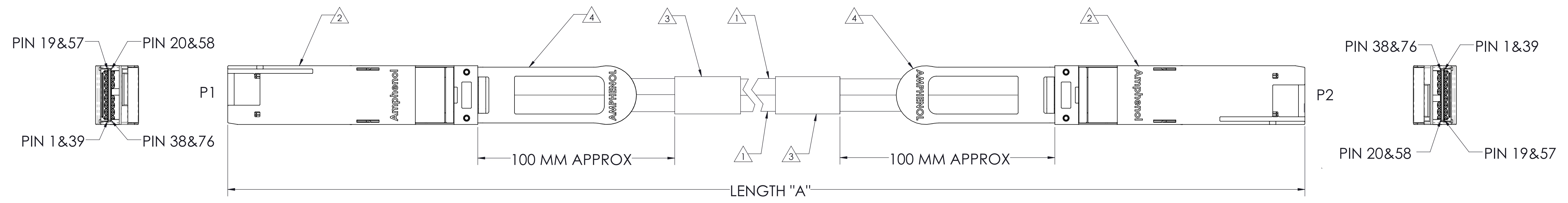
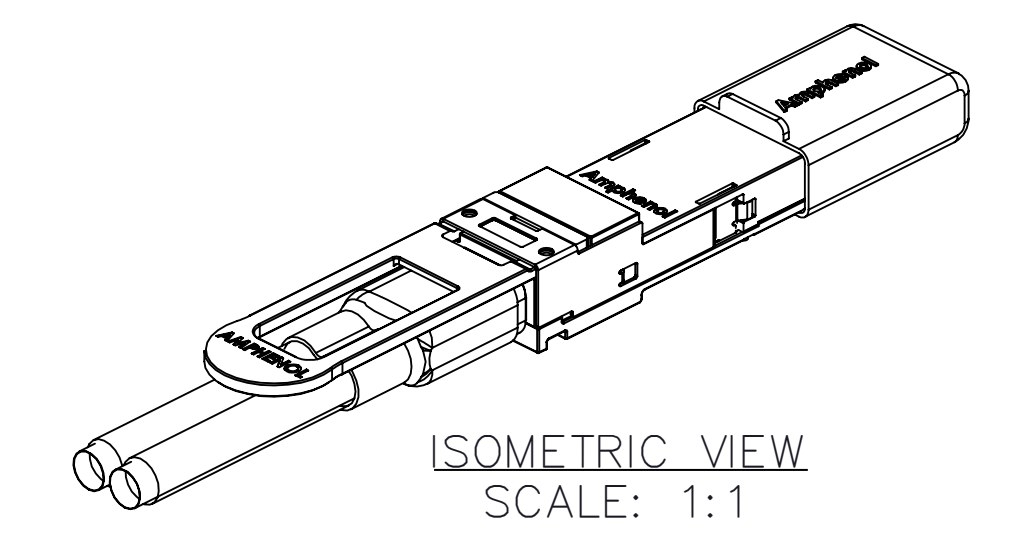
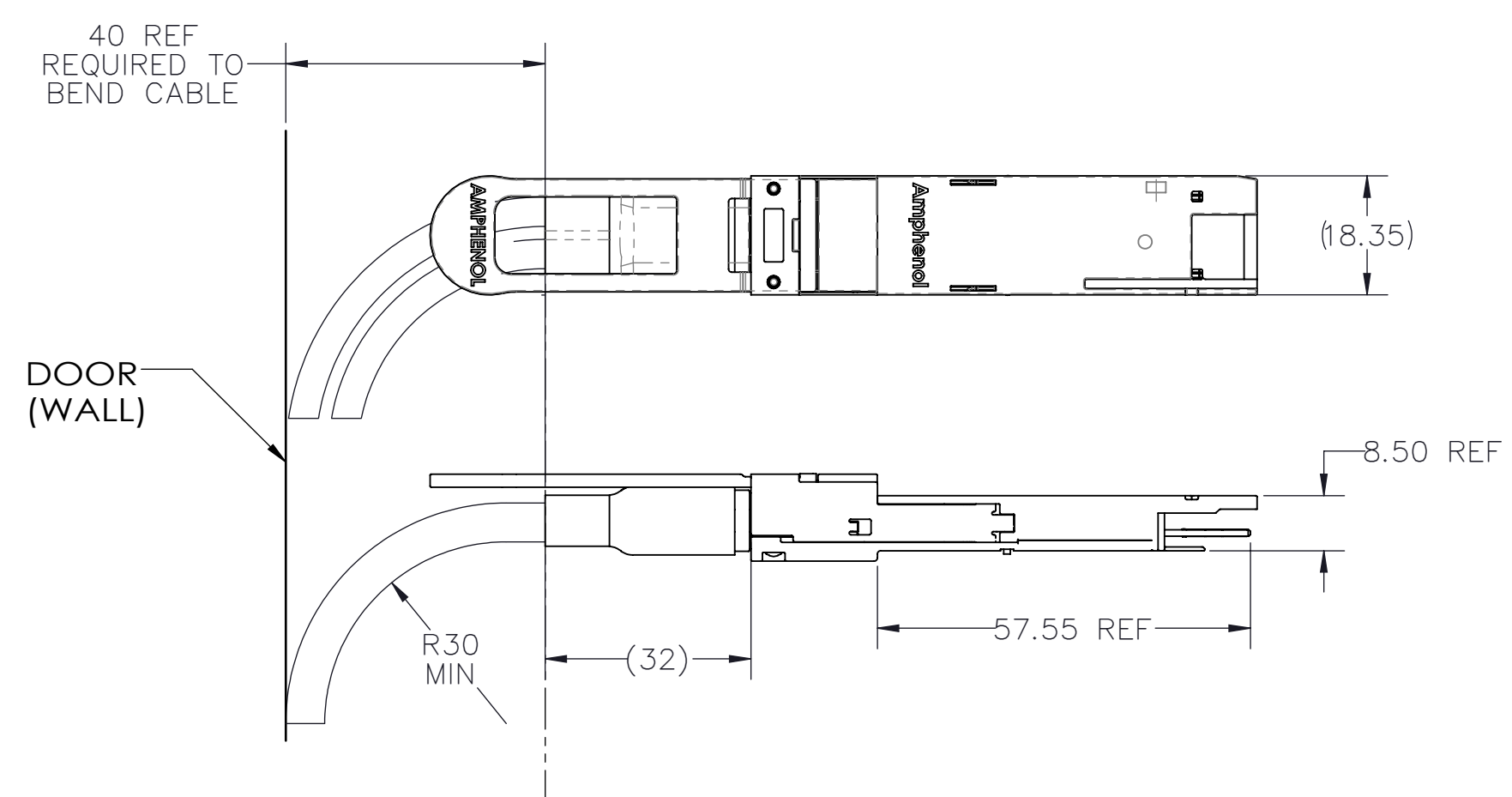
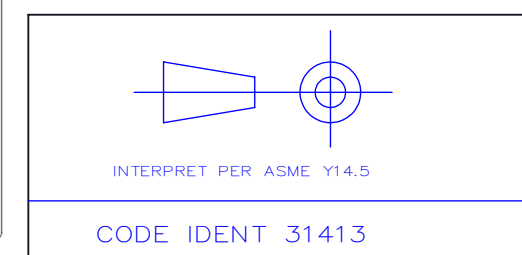


TABLE 2	
ITEM No.	DESCRIPTION
1	30 AWG, 8-PR, SPLITTER, PVC JKT, VW1
2	PLUG, QSFP-DD, REFERENCE "QSFP-DD MSA"
3	LABEL, WRAPPED - AHSP P/N, REV, DATE CODE, LENGTH, CoO, SERIAL NUMBER & WEEE LOGO AND CE LOGO
4	PULL TAB, BLUE 2718
5	EPROM - REFERENCE SFF-8636, PAGE A0 ONLY



- NOTES:
- THIS DRAWING IS RESERVED FOR AMPHENOL CABLES ON DEMAND.
 - ASSEMBLIES SHALL BE COMPLIANT TO QSFP-DD MSA SPECIFICATION.
 - CABLE ASSEMBLIES, COMPONENTS AND SUB-COMPONENTS SHALL BE COMPLIANT TO EU DIRECTIVE 2011/65/EU-RoHS2.
 - CABLE ASSEMBLIES MUST MEET SHIELDING EFFECTIVENESS REQUIREMENTS OF 35DB MINIMUM FROM 1-10GHZ AND 30DB FROM 10-18 GHZ.
 - PACKAGE COMPLETED ASSY IN AN APPROPRIATELY SIZED ESD BAG.
 - UL LABEL MUST BE ON SHIPPING CARTON PER SUBJECT 764 OF THE UL COMPONENT WIRING HARNESS (ZPFW2) FILE #E86140. CSA LABEL MUST BE ON SHIPPING CARTON.



TOLERANCES	DWN 12/14/2018	<p>Amphenol AHSP</p> <p>A Division of Amphenol Corporation</p> <p>200 Innovative Way, Suite 201, Nashua, N.H. 03062 (603) 879-3000</p>
0.0 ± 0.1	M.HUSSAIN 12/14/2018	
0.00 ± 0.08	M.HUSSAIN 12/14/2018	
0.000 ± -	APVD 12/14/2018	
ANGLES ± 1.0°	M.HUSSAIN	
UNLESS OTHERWISE SPECIFIED DIMENSIONS ARE IN MM		TITLE
CUSTOMER USE DRAWING		CABLE ASSY, QSFP-DD PASSIVE, 100Ω, DUAL-ENTRY 30 AWG
PART NO.	SEE TABLE 1	REV N/A
DRAWING NO.	C-NDYYYYF-C199	REV C
SIZE D	SCALE 2:1	SHEET 1 of 2

8

7

6

5

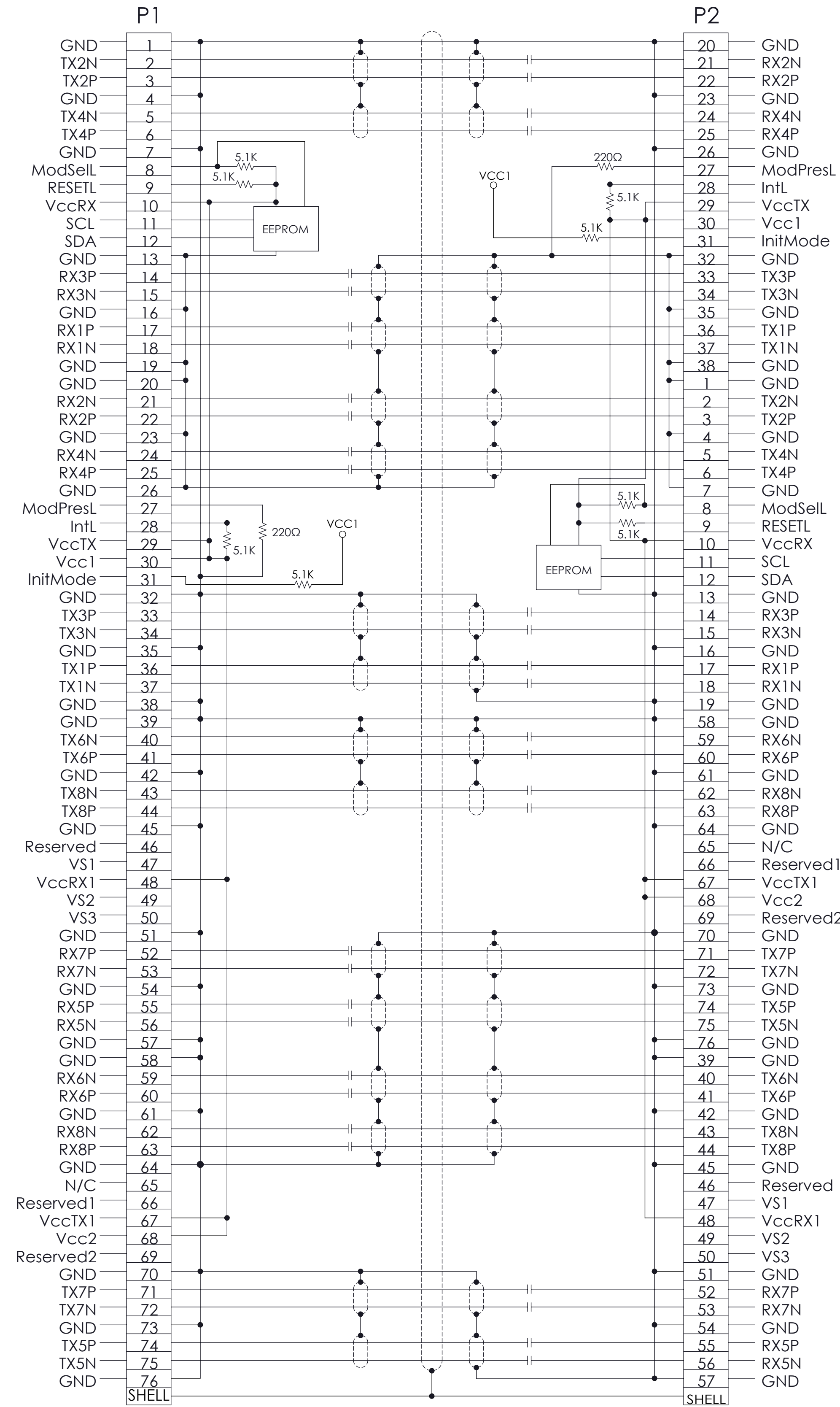
4

3

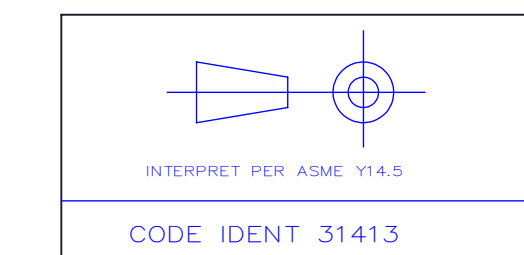
2

DWG NO. C-NDYYYYF-C199 SH 2 REV C

REVISIONS						
ZONE	REV.	ECN	DESCRIPTION	BY	DATE	APPROVED
			SEE SHEET 1			



NOTE: DC BLOCKING CAP VALUE IS 100nF



TOLERANCES		DWN	12/14/2018	Amphenol AHSP A Division of Amphenol Corporation 200 Innovative Way, Suite 201, Nashua, N.H. 03062 (603) 879-3000	CABLE ASSY, QSFP-DD PASSIVE, 1000Ω, DUAL-ENTRY 30 AWG		
0.0	± 0.1	CHK	M.HUSSAIN				
0.00	± 0.08		M.HUSSAIN				
0.000	± -	APVD	12/14/2018				
ANGLES	± 1.0°		M.HUSSAIN				
UNLESS OTHERWISE SPECIFIED DIMENSIONS ARE IN MM				PART NO.	SEE TABLE 1	REV	N/A
CUSTOMER USE DRAWING				DRAWING NO.	C-NDYYYYF-C199	REV	C
SIZE	D	SCALE	1:1	SHEET	2	OF	2

X-ON Electronics

Largest Supplier of Electrical and Electronic Components

Click to view similar products for [Ethernet Cables / Networking Cables](#) category:

Click to view products by [Amphenol](#) manufacturer:

Other Similar products are found below :

[73-6670-7](#) [73-6680-15](#) [73-7797-25](#) [MCJB2-10P6Q7-120](#) [84909-0204](#) [1200700174](#) [1200860368](#) [E16A06002M030](#) [E200102-009-S1](#)
[AX105346-EW](#) [MT14-187L](#) [17-103530](#) [ERWPAB3002M005](#) [190-038045-01](#) [NK5EPC18RDY](#) [NK5EPC18VLY](#) [NK5EPC18YLY](#)
[NK5EPC1GRY](#) [NK5EPC4Y](#) [NK5EPC6YLY](#) [NK5EPC8BLY](#) [NK5EPC9YLY](#) [1969343-6](#) [C501100010](#) [C501106002](#) [C501106007](#)
[C501106015](#) [C501106025](#) [C601102010](#) [C601104010](#) [C601106007](#) [C601106015](#) [2142758-2](#) [2168427-2](#) [CAT1106007](#) [21949-1](#) [2J1866A](#)
[RJF SFTP 5E 0500](#) [AX100351](#) [MN14CEC/ST](#) [C501100015](#) [C501106004](#) [C501106010](#) [C5F1108007](#) [C601104004](#) [C601106004](#)
[CA21106004](#) [CA21106010](#) [CA21106015](#) [CA21109007](#)