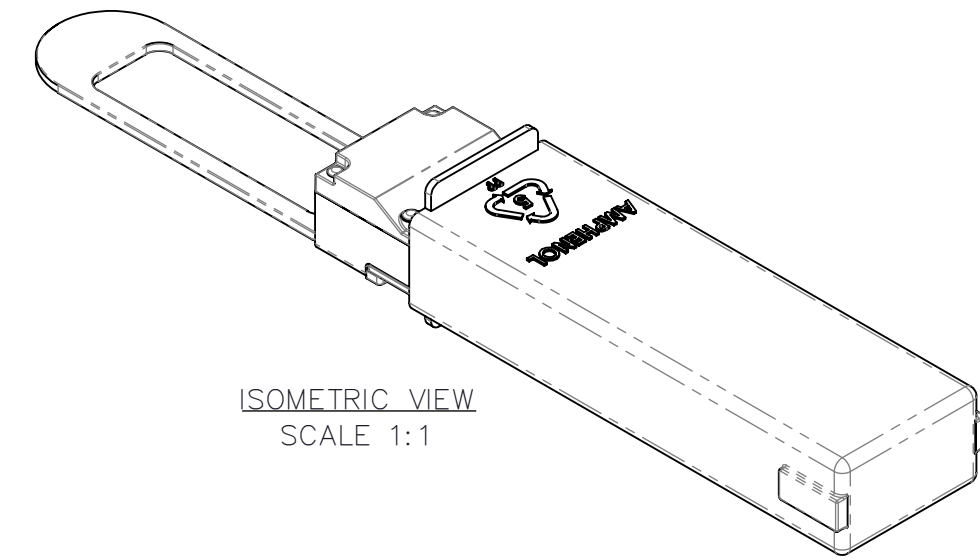
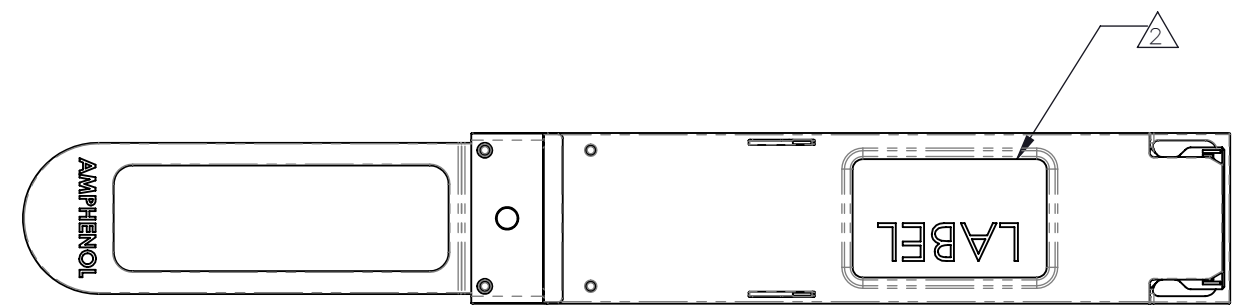
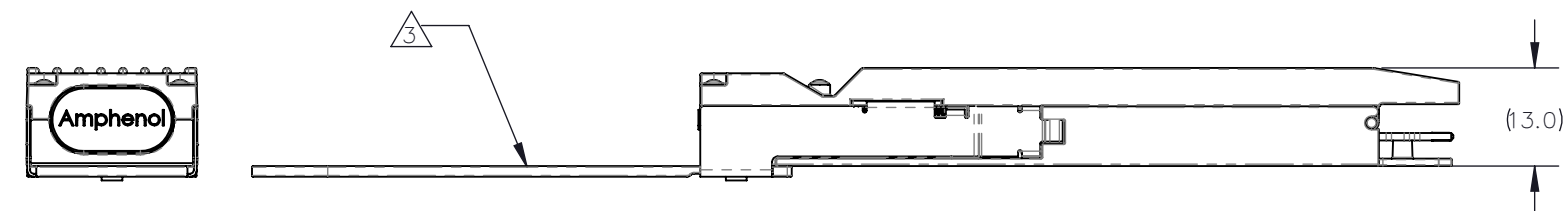
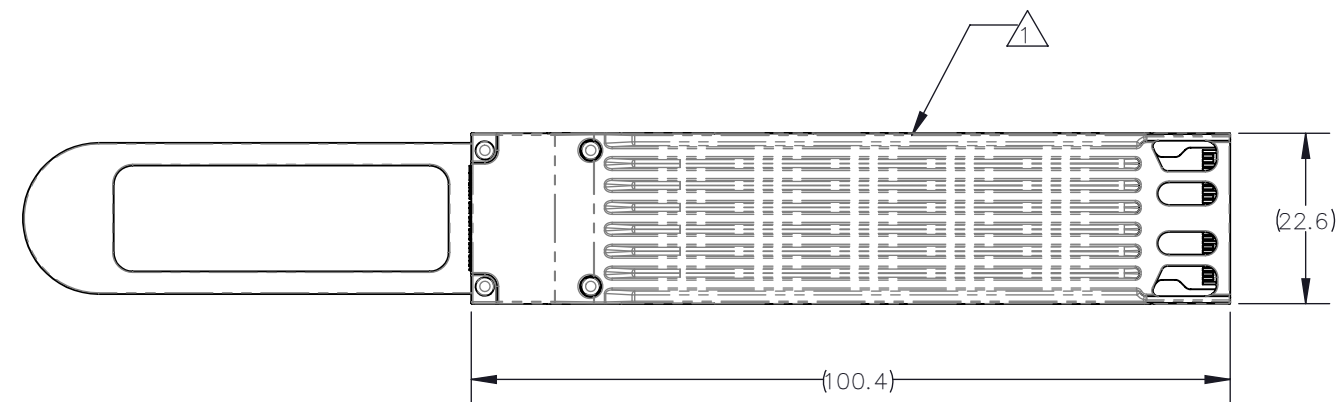


TABLE 1		
AHSP P/N	ACD P/N	DESCRIPTION
NLMAMB-C101	SF-NLMAMB0001-0001	OSFP LOOPBACK PASSIVE 0dB

REVISIONS						
ZONE	REV	ECN	DESCRIPTION	BY	DATE	APPROVED
ALL	A	MKHN-18121401	NEW RELEASE	HCL-PB	12/26/2018	M.HUSSAIN
	B	RGAO-20122401	CHANGED 'TABLE 1' TO 'TABLE 2'. ADDED TABLE 1 TO ZONE D8. CHANGED THE TITLE BAR 'NLMAMB-C101' TO 'SEE TABLE 1'.	N.ZENG	12/24/2020	Y.CHEN
	C	RGAO-21020304	ADDED DESCRIPTION COLUMN TO TABLE 1.	N.ZENG	2/4/2021	Y.CHEN

TABLE 2	
ITEM No.	DESCRIPTION
1	PLUG OSFP REFERENCE OSFP MSA
2	LABEL, PLUG - AHSP P/N, REV, DATE CODE, CoO, 0dB, 0W & SERIAL NUMBER
3	LANYARD, UL 94V-0



- NOTES:
- THIS DRAWING IS RESERVED FOR AMPHENOL CABLES ON DEMAND.
 - ASSEMBLIES SHALL BE COMPLIANT TO OSFP MSA (APPENDIX X) SPECIFICATION.
 - EPROM CONTENT SHALL BE COMPLIANT WITH OSFP MSA SPECIFICATIONS FOR XXGB ASE-OSFP. EPROM REVISION IS EQUAL TO CUSTOMER PART NUMBER REVISION UNLESS OTHERWISE NOTED.
 - MODULE ASSEMBLIES MUST MEET SHIELDING EFFECTIVENESS REQUIREMENTS OF 35dB FROM 1-10GHz AND 30dB FROM 10-18GHz.

TOLERANCES		DWN	12/14/2018
0.0	± 0.1	M.HUSSAIN	12/14/2018
0.00	± 0.08	CHK	12/14/2018
0.000	± -	M.HUSSAIN	12/14/2018
ANGLES	± 1.0°	APVD	12/14/2018
UNLESS OTHERWISE SPECIFIED DIMENSIONS ARE IN MM			

Amphenol AHSP
 A Division of Amphenol Corporation
 200 Innovative Way, Suite 201, Nashua, N.H. 03062 (603) 879-3000

INTERPRET PER ASME Y14.5

CODE IDENT 31413

CUSTOMER USE DRAWING

TITLE		LOOPBACK, OSFP PASSIVE
PART NO.	SEE TABLE 1	REV N/A
DRAWING NO.	C-NLMAMB-C101	REV C
SIZE	B	SCALE 1:1
SHEET 1 OF 1		

DWG NO. C-NLMAMB-C101 SH 1 REV C

X-ON Electronics

Largest Supplier of Electrical and Electronic Components

Click to view similar products for [Fibre Optic Transmitters, Receivers, Transceivers](#) category:

Click to view products by [Amphenol](#) manufacturer:

Other Similar products are found below :

[STV.2413-574-00262](#) [TRPRG1VA1C000E2G](#) [FTLX1871M3BNL](#) [SCN-2638SC](#) [FOC-FDX20-PP-LCD6-OSP-PT9](#) [FTL410QE4N](#) [SFPPT-SR3-01](#) [HFD8003-500-XBA](#) [2333569-1](#) [LNK-ST11HB-R6](#) [FTL4C1QL3C](#) [FTLC1157RGPL](#) [SPTSHP2PMCDF](#) [SF-NLNAMB0001](#) [TSD-S1KH1-A1G2](#) [SFP-10GTX](#) [LNK-LT12MB](#) [SFP-XSM-LCI-80K](#) [E10GSFPSRG1P5](#) [E10GSFPSRX](#) [MIL-SNK-ST31M](#) [1019682](#) [1019683](#) [1019705](#) [HFBR-5963ALZ](#) [SFP-100FX-M-2KM-T](#) [SFPCAGE005-L](#) [FTLF8532P4BCV](#) [FTLX1871D3BNL](#) [TGW-Q14BB-FCQ](#) [AFBR-5805Z](#) [AFBR-5803AZ](#) [FTLF1428P3BNV](#) [TQS-Q1LH8-XCA03](#) [TQS-Q1LH8-XCA05](#) [TQS-Q1LH8-XCA10](#) [TQS-Q1LH9-2CA](#) [HFBR-1414Z](#) [HFBR-1528Z](#) [HFBR-2406Z](#) [HFBR-2416Z](#) [HFBR-2532Z](#) [HFBR-2533Z](#) [HFBR-2528Z](#) [HFBR-2416TCZ](#) [HFBR-2416MZ](#) [HFBR-1604Z](#) [HFBR-1532Z](#) [HFBR-1531Z](#) [HFBR-1415TZ](#)