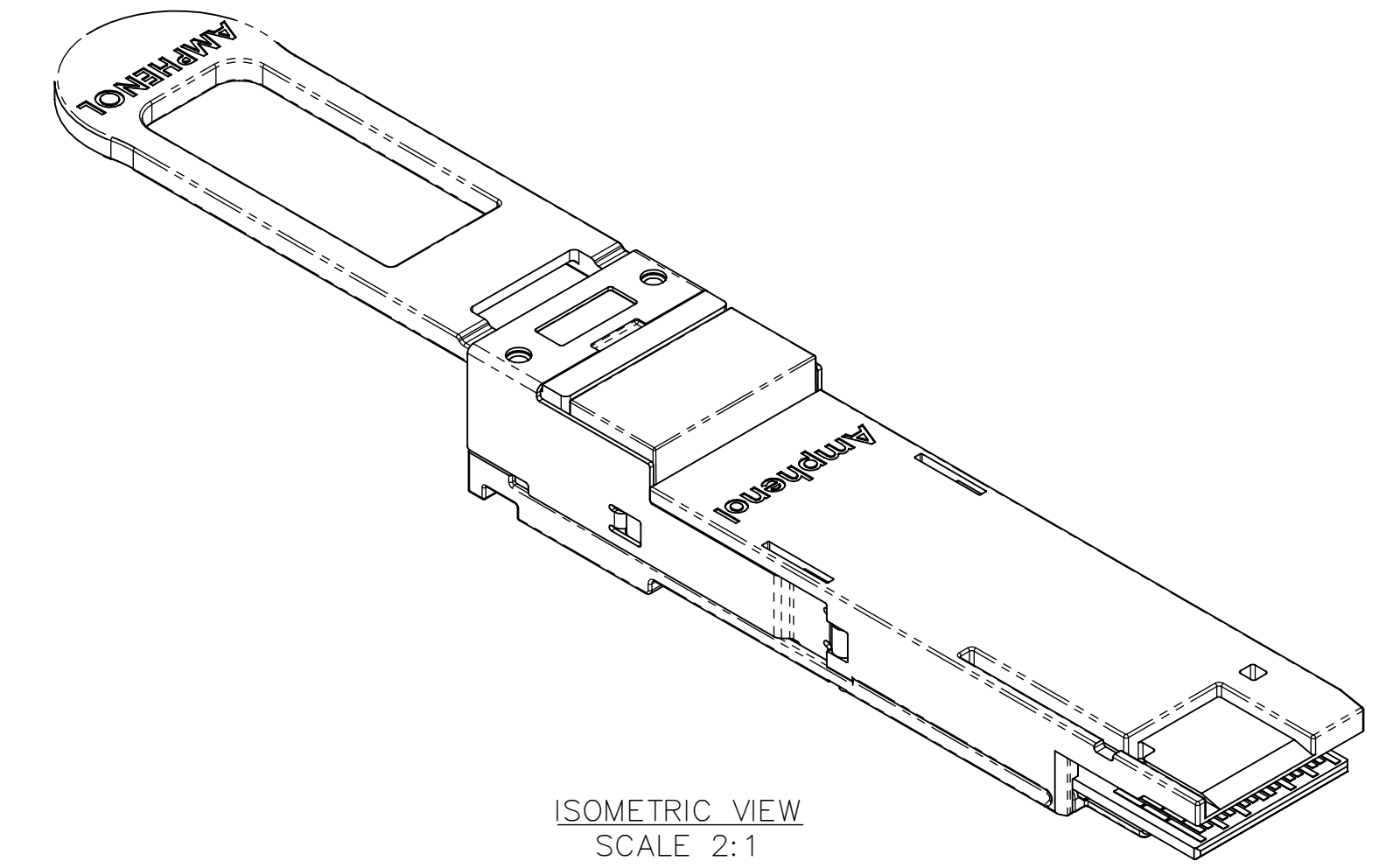
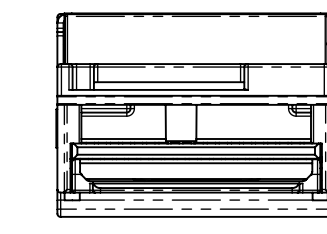
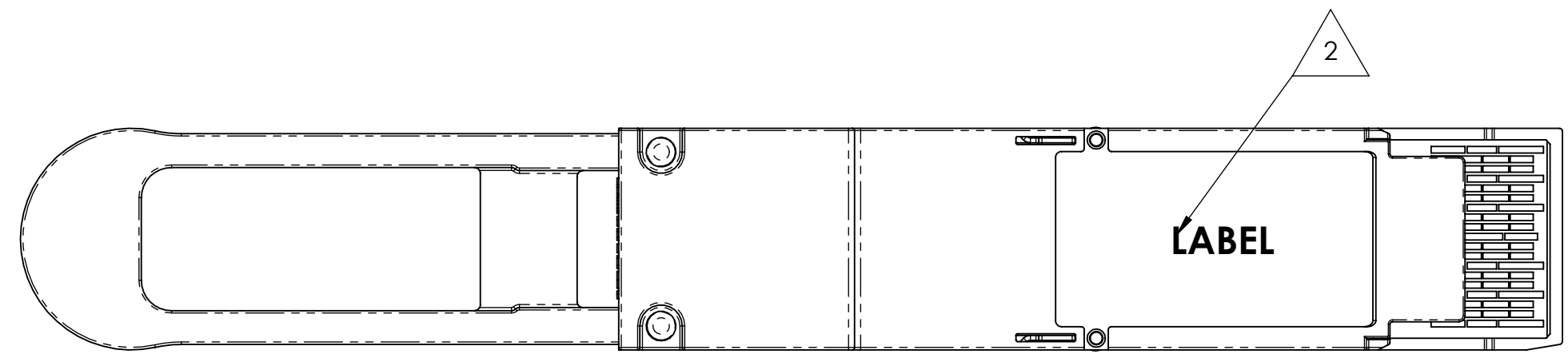
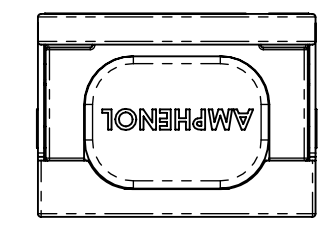
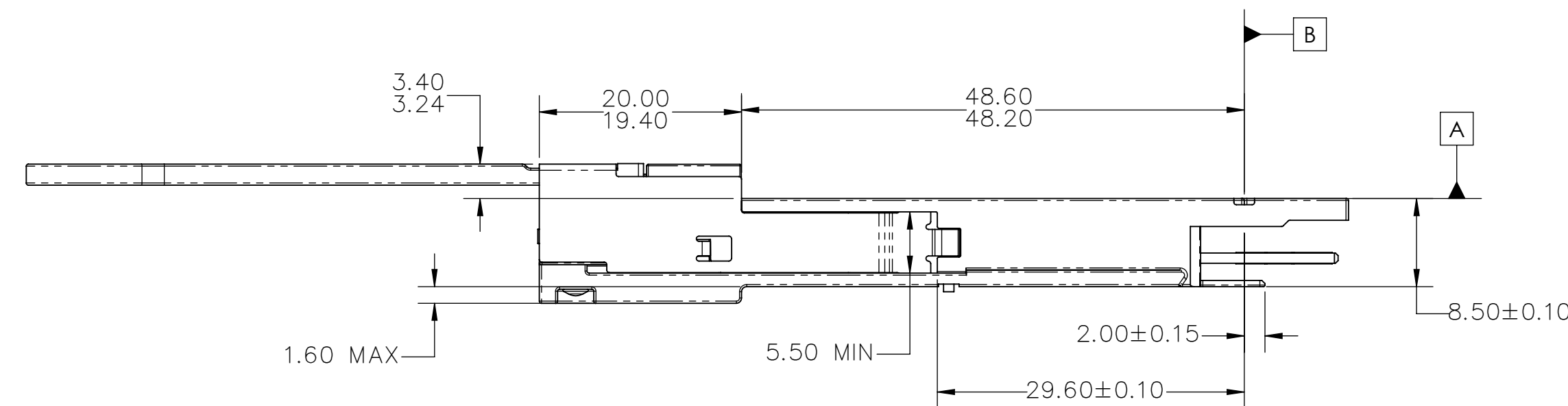
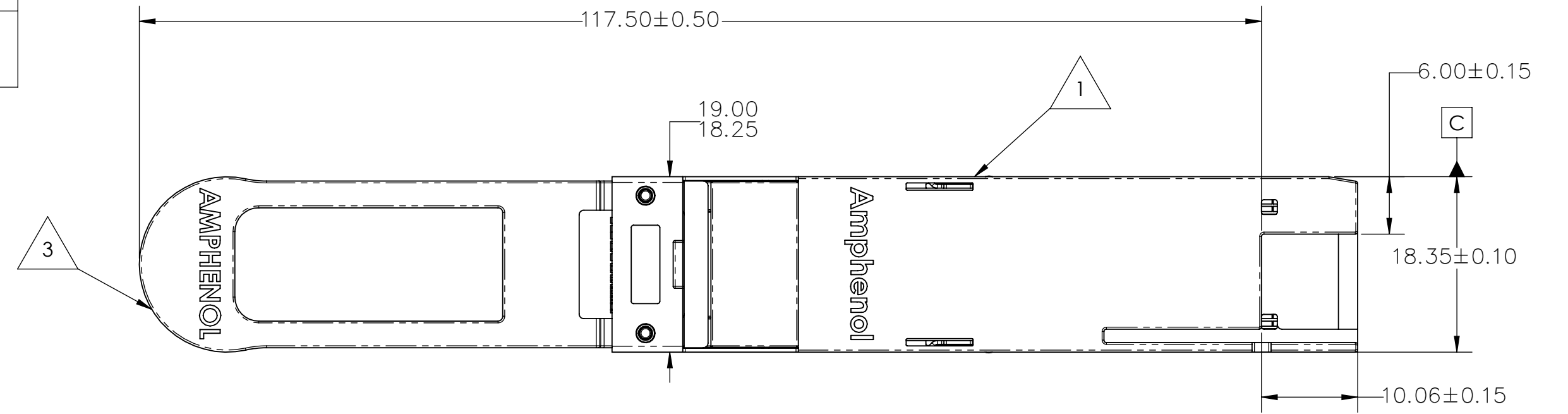
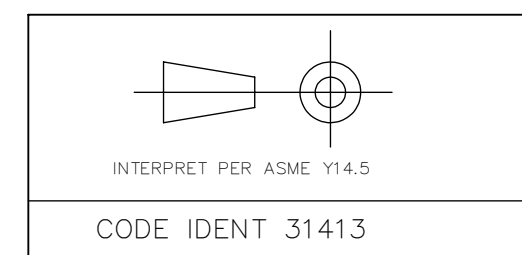
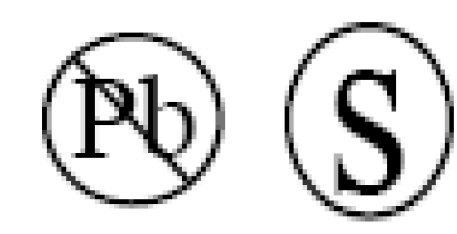


TABLE 1	
ITEM No.	DESCRIPTION
①	PLUG, QSFP-DD, REFERENCE "QSFP-DD MSA"
②	LABEL, PLUG - AHSP P/N, REV, DATE CODE, CoO, OdB, OW & SERIAL NUMBER
③	PULL TAB, BLUE 2718

REVISIONS						
ZONE	REV.	ECN	DESCRIPTION	BY	DATE	APPROVED
ALL	A	MKHN-18121401	NEW RELEASE	HCL-PB	12/26/2018	M.HUSSAIN



- NOTES:
- THIS DRAWING IS RESERVED FOR AMPHENOL CABLES ON DEMAND.
 - ASSEMBLIES SHALL BE COMPLIANT TO QSFP-DD MSA.
 - EPROM CONTENT SHALL BE COMPLIANT WITH QSFP-DD MSA SPECIFICATIONS FOR 400GB ASE-CR-4. EPROM REVISION IS EQUAL TO CUSTOMER PART NUMBER REVISION UNLESS OTHERWISE NOTED.



TOLERANCES		DWN 12/14/2018	Amphenol AHSP A Division of Amphenol Corporation 200 Innovative Way, Suite 201, Nashua, N.H. 03062 (603) 879-3000
0.0	± 0.1	CHK M.HUSSAIN 12/14/2018	
0.00	± 0.08	M.HUSSAIN 12/14/2018	
0.000	± -	APVD M.HUSSAIN 12/14/2018	
ANGLES	± 1.0*	M.HUSSAIN	
UNLESS OTHERWISE SPECIFIED DIMENSIONS ARE IN MM			TITLE ELECTRICAL LOOPBACK PASSIVE, QSFP-DD
CUSTOMER USE DRAWING		PART NO. NLNAMB-C101	REV N/A
		DRAWING NO. C-NLNAMB-C101	REV A
SIZE D	SCALE 2:1	SHEET 1 OF 1	

X-ON Electronics

Largest Supplier of Electrical and Electronic Components

Click to view similar products for [Fibre Optic Transmitters, Receivers, Transceivers](#) category:

Click to view products by [Amphenol](#) manufacturer:

Other Similar products are found below :

[STV.2413-574-00262](#) [TRPRG1VA1C000E2G](#) [FTLX1871M3BNL](#) [SCN-2638SC](#) [FOC-FDX20-PP-LCD6-OSP-PT9](#) [FTL410QE4N](#) [SFPPT-SR3-01](#) [HFD8003-500-XBA](#) [2333569-1](#) [LNK-ST11HB-R6](#) [FTL4C1QL3C](#) [FTLC1157RGPL](#) [SPTSHP2PMCDF](#) [SF-NLNAMB0001](#) [TSD-S1KH1-A1G2](#) [SFP-10GTX](#) [LNK-LT12MB](#) [SFP-XSM-LCI-80K](#) [E10GSFPSRG1P5](#) [E10GSFPSRX](#) [MIL-SNK-ST31M](#) [1019682](#) [1019683](#) [1019705](#) [HFBR-5963ALZ](#) [SFP-100FX-M-2KM-T](#) [SFPCAGE005-L](#) [FTLF8532P4BCV](#) [FTLX1871D3BNL](#) [TGW-Q14BB-FCQ](#) [AFBR-5805Z](#) [AFBR-5803AZ](#) [FTLF1428P3BNV](#) [TQS-Q1LH8-XCA03](#) [TQS-Q1LH8-XCA05](#) [TQS-Q1LH8-XCA10](#) [TQS-Q1LH9-2CA](#) [HFBR-1414Z](#) [HFBR-1528Z](#) [HFBR-2406Z](#) [HFBR-2416Z](#) [HFBR-2532Z](#) [HFBR-2533Z](#) [HFBR-2528Z](#) [HFBR-2416TCZ](#) [HFBR-2416MZ](#) [HFBR-1604Z](#) [HFBR-1532Z](#) [HFBR-1531Z](#) [HFBR-1415TZ](#)