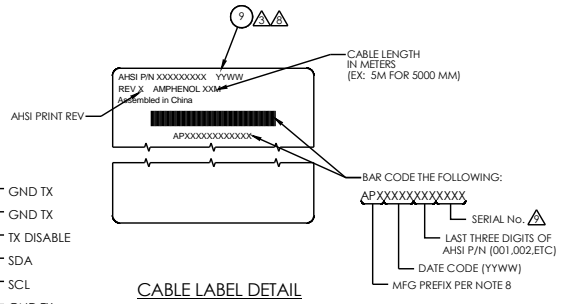
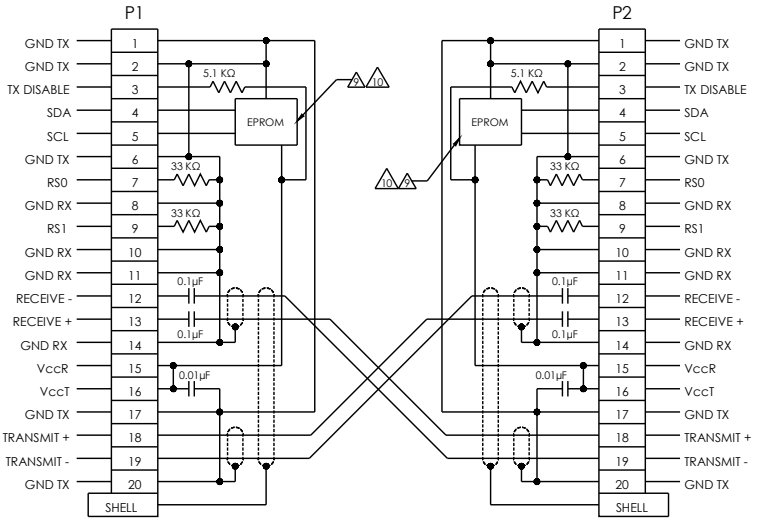
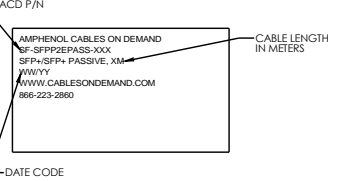
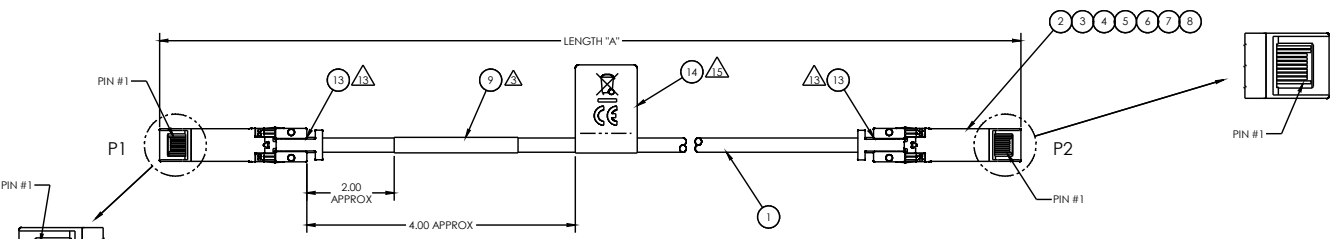


THE INFORMATION CONTAINED IN THIS DRAWING IS THE SOLE PROPERTY OF AMPHENOL INTERCONNECT PRODUCTS CORP. ANY REPRODUCTION OR DISCLOSURE TO THIRD PARTIES, IN PART OR WHOLE, WITHOUT THE EXPRESS WRITTEN PERMISSION OF AMPHENOL INTERCONNECT PRODUCTS CORP. IS PROHIBITED.

AMPHENOL P/N	LENGTH "A"	ACD P/N	AWG (REF)	EPROM REV
62438001	1000 MM ±25 MM	SF-SFPP2EPASS-001	30	A
62438002	2000 MM ±50 MM	SF-SFPP2EPASS-002	30	A
62438003	3000 MM ±75 MM	SF-SFPP2EPASS-003	30	A
62438004	5000 MM ±125 MM	SF-SFPP2EPASS-005	26	A
62438005	7000 MM ±175 MM	SF-SFPP2EPASS-007	24	A
62438006	8000 MM ±200 MM	SF-SFPP2EPASS-008	24	A
62438007	8500 MM ±215 MM	SF-SFPP2EPASS-008.5	24	A
62438008	9000 MM ±225 MM	SF-SFPP2EPASS-009	24	A
62438009	10000 MM ±250 MM	SF-SFPP2EPASS-010	24 EXD	A
624380010	12000 MM ±300 MM	SF-SFPP2EPASS-012	24 EXD	A
624380011	500 MM ±25 MM	SF-SFPP2EPASS-000.5	30	A
624380012	1500 MM ±38 MM	SF-SFPP2EPASS-001.5	30	A
624380013	2500 MM ±62 MM	SF-SFPP2EPASS-002.5	30	A

REVISIONS			
REV	DESCRIPTION	DATE	APPROVED
A	NEW RELEASE PER E.O. 304428	7/13	DEC



- ALL MATERIALS USED IN THE MANUFACTURE OF THIS ASSEMBLY SHALL COMPLY WITH AMPHENOL REGULATED MATERIALS SPECIFICATION CS-1152.
- POT MOLD BOTH CABLE ENDS PER MFG PROCESS. A SECONDARY POT MOLD SHALL BE ADDED TO COVER CABLE TERMINATION AREAS.
- CAUTION: ANTI-STATIC CONTROL MEASURES MUST BE OBSERVED DURING THE MANUFACTURE OF THIS ASSEMBLY.
- EPROM PROGRAM PER AMPHENOL SPEC CS-1154. EPROM SERIAL No. MUST MATCH CABLE LABEL SERIAL No.
- MARK LABEL WITH SERIAL NUMBER. MEXICO LOCATION PREFIX IS "APE"; ENDCOTT LOCATION PREFIX IS "APL"; CHINA LOCATION PREFIX IS "APF".
- INSTALL DUST COVER OVER APPLICABLE CONNECTOR PER MFG PROCESS PRIOR TO SHIPMENT TO CUSTOMER.
- PACKAGE COMPLETED ASSEMBLY IN AN APPROPRIATELY SIZED ANTI-STATIC BAG. LABEL PER BAG LABEL DETAIL.
- THIS DRAWING IS SIMILAR TO AMPHENOL DWG 57154XXXX.
- UL LABEL MUST BE ON THE SHIPPING CARTON PER SUBJECT 764 OF THE UL COMPONENT WIRING HARNESS (ZPFW2) FILE #E86140. CSA LABEL MUST BE ON SHIPPING CARTON.
- A PRE-PRINTED LABEL WITH THE INFORMATION SHOWN IN THE CABLE LABEL DETAIL IS POSITIONED WITHIN THE INDICATED AREA ON THE CABLE ASSEMBLY.
- TEST COMPLETED ASSEMBLIES PER AMPHENOL CS-1155. TEST ASSEMBLIES AT 10.3125 Gd.
- THIS DRAWING IS RESERVED FOR AMPHENOL CABLES ON DEMAND.

- PERMANENTLY MARK LABEL WITH "WEEF" LOGO AND "CE" LOGO. REF AHSI SPEC CS-1210. A ROHS2 CERTIFICATE OF COMPLIANCE MUST BE INCLUDED IN EACH SHIPPING CARTON.
- SOLDER PER AMPHENOL CS-1186 (LEAD FREE SOLDER).
- WRAP ONE TURN OF COPPER TAPE AROUND CABLE JACKET BEFORE PULLING BACK BRAID.

SPECIFICATION CONTROL DRAWING

UNLESS OTHERWISE SPECIFIED DIMENSIONS ARE IN INCHES TOLERANCES ARE:	DECIMALS	ANGLES	BAR NO.	Amphenol Interconnect Products Corp. 20 Valley St. Endicott, NY, 13740
	.X ±.X .XX ±.01 .XXX ±.005	±.5°	AMPH7006-005A	
THIRD ANGLE PROJECTION	DRAWN	APPROVALS	DATE	CABLE ASSEMBLY, TOGBE, SFP+ TO SFP+, 100Ω, RoHS
	D. CASHMERE	CHECKED	7/13	
	RESP ENG			SIZE DWG. NO. 62438XXXX
	MFG ENG			REV. A
CAD FILE: S:\SolidWorks\PE 5 DIGIT NOV.62438				SCALE 1:1 SHEET 1 OF 1



X-ON Electronics

Largest Supplier of Electrical and Electronic Components

Click to view similar products for [Ethernet Cables / Networking Cables](#) category:

Click to view products by [Amphenol](#) manufacturer:

Other Similar products are found below :

[73-6670-7](#) [73-6680-15](#) [73-7797-25](#) [MCJB2-10P6Q7-120](#) [84909-0204](#) [1200700174](#) [1200860368](#) [E16A06002M030](#) [E200102-009-S1](#)
[AX105346-EW](#) [MT14-187L](#) [17-103530](#) [ERWPAB3002M005](#) [190-038045-01](#) [NK5EPC18RDY](#) [NK5EPC18VLY](#) [NK5EPC18YLY](#)
[NK5EPC1GRY](#) [NK5EPC4Y](#) [NK5EPC6YLY](#) [NK5EPC8BLY](#) [NK5EPC9YLY](#) [1969343-6](#) [C501100010](#) [C501106002](#) [C501106007](#)
[C501106015](#) [C501106025](#) [C601102010](#) [C601104010](#) [C601106007](#) [C601106015](#) [2142758-2](#) [2168427-2](#) [CAT1106007](#) [SR02P0-26E5-15.0](#)
[SR02S0-26E5-15.0](#) [21949-1](#) [2J1866A](#) [RJF SFTP 5E 0500](#) [AX100351](#) [MN14CEC/ST](#) [C501100015](#) [C501106004](#) [C501106010](#) [C5F1108007](#)
[C601104004](#) [C601106004](#) [CA21106004](#) [CA21106010](#)