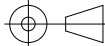




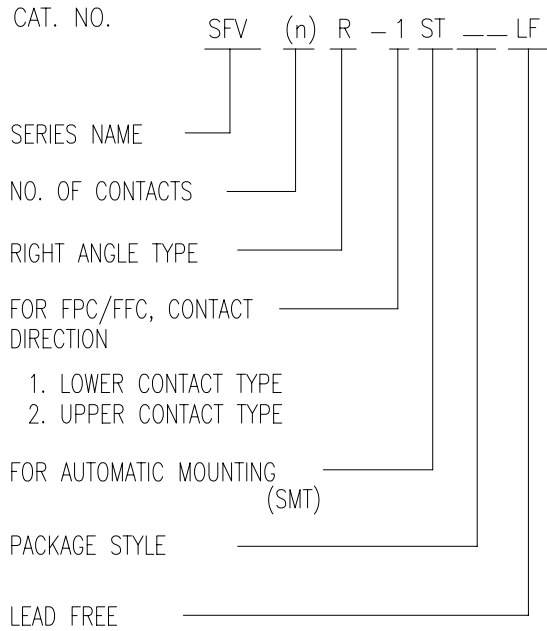
List of "SFV__R-1/2STE9LF" customer document

| DOCUMENT NO. | LIST |
|------------------|---|
| 10101165(SHEET1) | CAT.NO.TABLE FOR 0.5mm CONTACT SPACING CONNECTOR (SFV__R-1/2ST_LF) |
| 10101165(SHEET2) | CONNECTOR USED FOR FPC/FFC WITH 0.5mm CONTACT SPACING (SFV__R-1ST_LF) |
| 10101165(SHEET3) | CONNECTOR USED FOR FPC/FFC WITH 0.5mm CONTACT SPACING (SFV__R-2ST_LF) |
| 10101165(SHEET4) | CAT.NO.TABLE FOR PLASTIC TAPE PACKAGED 0.5mm CONTACT SPACING CONNECTOR (SFV__R-1/2STE9LF) |
| 10101165(SHEET5) | PLASTIC TAPE PACKAGED 0.5mm CONTACT SPACING CONNECTOR (SFV__R-1STE9LF) |
| 10101165(SHEET6) | PLASTIC TAPE PACKAGED 0.5mm CONTACT SPACING CONNECTOR (SFV__R-2STE9LF) |
| 10101165(SHEET7) | RECOMMENDED CABLE (FPC) (SFV__R-1/2ST__) |
| 10101165(SHEET8) | RECOMMENDED CABLE (FFC) (SFV__R-1/2ST__) |
| SC-SFV03 | PRODUCT SPECIFICATION |
| BJM-SFV101 | HANDLING PROCEDURES |

| | | | | | | | | | | | | | | | | |
|-------------|--|-----------------|--|--|-----|---------------|-----|--|-----|---------------------|-----|---|--------|---------|--|--|
| mat'l. code | | | | surface 58 / tolerance ISO 1302 <input checked="" type="checkbox"/> ISO 406 <input type="checkbox"/> ISO 1101 <input type="checkbox"/> | | | | projection  | | product family 58EF | | | | CODE JP | | |
| ltr A | | ecn no S09-0140 | | dr DGOH | | date 09-05-06 | | tolerances unless otherwise specified | | | | title 0.5mm SPACING FPC/FFC CONNECTOR DOCUMENT LIST (Cat. No. : SFV__R-1/2STE9LF) | | | | |
| | | | | | | | | angles linear | | | | | | | | |
| | | | | | | | | mm  | | | | dwg no 10101165 sheet 1 of 9 size A4 | | | | |
| | | | | | | | | scale \propto | | | | | | | | |
| | | | | dr DENNIS GOH | | 09-05-06 | |  | | | | type Product Customer Drawing | | | | |
| | | | | enr DENNIS GOH | | 09-05-06 | | | | | | | | | | |
| | | | | chr DENNIS GOH | | 09-05-06 | | | | | | | | | | |
| | | | | appd JOEY NG | | 09-05-06 | | | | | | | | | | |
| sheet index | | revision sheet | | A 1 | A 2 | A 3 | A 4 | A 5 | A 6 | A 7 | A 8 | A 9 | Rev. A | | | |

CAT. NO. & DIMENSIONS

| NO. OF CONTACTS (n) | CAT. NO. | DIMENSIONS (NOTE2) | | | |
|---------------------|------------------|--------------------|---------|---------|---------|
| | | A ± 0.2 | B ± 0.2 | C ± 0.1 | D ± 0.1 |
| 4 | SFV4R-1/2ST__LF | 7.5 | 5.9 | 1.5 | 2.7 |
| 5 | SFV5R-1/2ST__LF | 8.0 | 6.4 | 2.0 | 3.2 |
| 6 | SFV6R-1/2ST__LF | 8.5 | 6.9 | 2.5 | 3.7 |
| 7 | SFV7R-1/2ST__LF | 9.0 | 7.4 | 3.0 | 4.2 |
| 8 | SFV8R-1/2ST__LF | 9.5 | 7.9 | 3.5 | 4.7 |
| 9 | SFV9R-1/2ST__LF | 10.0 | 8.4 | 4.0 | 5.2 |
| 10 | SFV10R-1/2ST__LF | 10.5 | 8.9 | 4.5 | 5.7 |
| 11 | SFV11R-1/2ST__LF | 11.0 | 9.4 | 5.0 | 6.2 |
| 12 | SFV12R-1/2ST__LF | 11.5 | 9.9 | 5.5 | 6.7 |
| 13 | SFV13R-1/2ST__LF | 12.0 | 10.4 | 6.0 | 7.2 |
| 14 | SFV14R-1/2ST__LF | 12.5 | 10.9 | 6.5 | 7.7 |
| 15 | SFV15R-1/2ST__LF | 13.0 | 11.4 | 7.0 | 8.2 |
| 16 | SFV16R-1/2ST__LF | 13.5 | 11.9 | 7.5 | 8.7 |
| 17 | SFV17R-1/2ST__LF | 14.0 | 12.4 | 8.0 | 9.2 |
| 18 | SFV18R-1/2ST__LF | 14.5 | 12.9 | 8.5 | 9.7 |
| 19 | SFV19R-1/2ST__LF | 15.0 | 13.4 | 9.0 | 10.2 |
| 20 | SFV20R-1/2ST__LF | 15.5 | 13.9 | 9.5 | 10.7 |
| 21 | SFV21R-1/2ST__LF | 16.0 | 14.4 | 10.0 | 11.2 |
| 22 | SFV22R-1/2ST__LF | 16.5 | 14.9 | 10.5 | 11.7 |
| 23 | SFV23R-1/2ST__LF | 17.0 | 15.4 | 11.0 | 12.2 |
| 24 | SFV24R-1/2ST__LF | 17.5 | 15.9 | 11.5 | 12.7 |
| 25 | SFV25R-1/2ST__LF | 18.0 | 16.4 | 12.0 | 13.2 |
| 26 | SFV26R-1/2ST__LF | 18.5 | 16.9 | 12.5 | 13.7 |
| 27 | SFV27R-1/2ST__LF | 19.0 | 17.4 | 13.0 | 14.2 |
| 28 | SFV28R-1/2ST__LF | 19.5 | 17.9 | 13.5 | 14.7 |
| 29 | SFV29R-1/2ST__LF | 20.0 | 18.4 | 14.0 | 15.2 |
| 30 | SFV30R-1/2ST__LF | 20.5 | 18.9 | 14.5 | 15.7 |
| 31 | SFV31R-1/2ST__LF | 21.0 | 19.4 | 15.0 | 16.2 |
| 32 | SFV32R-1/2ST__LF | 21.5 | 19.9 | 15.5 | 16.7 |
| 33 | SFV33R-1/2ST__LF | 22.0 | 20.4 | 16.0 | 17.2 |
| 34 | SFV34R-1/2ST__LF | 22.5 | 20.9 | 16.5 | 17.7 |
| 35 | SFV35R-1/2ST__LF | 23.0 | 21.4 | 17.0 | 18.2 |



NOTES

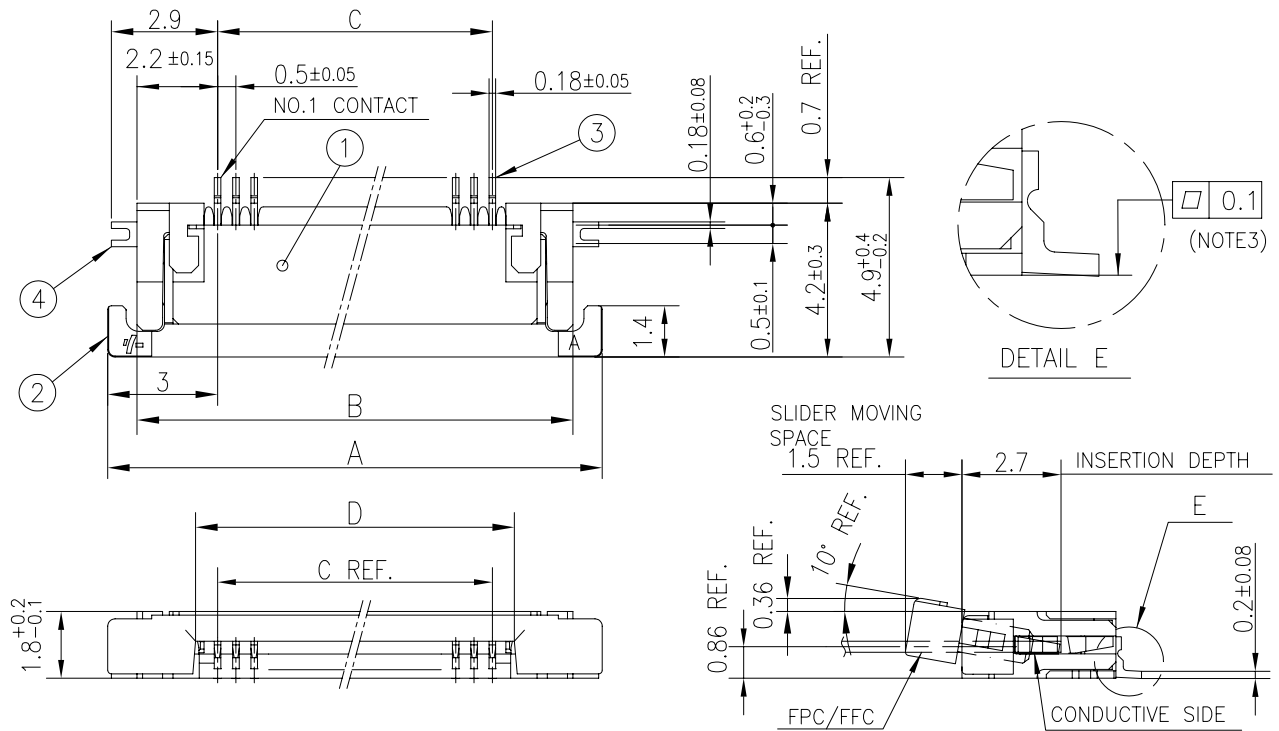
- THIS PRODUCT IS THE CONNECTOR USED FOR FPC AND COPES WITH AUTOMATIC MOUNTING (SMT).
- SEE PART DRAWINGS FOR DIMENSIONS A~D.



FCIconnect.com

Copyright FCI.

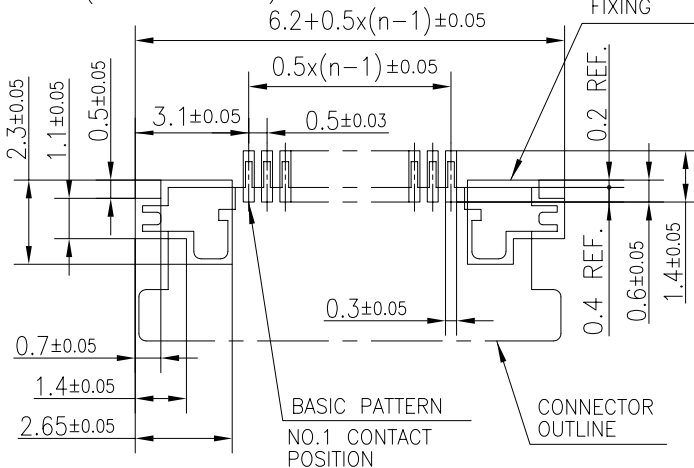
| | | | | | | | | | | | | | |
|-------------|--|----------------|--|--|--|---|--|------------|--|---|--|-------------------------------|--|
| mat'l. code | | | | surface ISO 1302 <input checked="" type="checkbox"/> | | tolerance ISO 406 <input checked="" type="checkbox"/> | | projection | | product family 58EF | | CODE JP | |
| ltr A | | | | ecn no | | dr | | date | | title | | sheet 2 of 9 | |
| | | | | angles | | linear | | mm | | CAT. NO. TABLE FOR 0.5 mm CONTACT SPACING CONNECTOR (Cat. No. : SFV__R-1/2ST__LF) | | size A4 | |
| | | | | dr | | DENNIS GOH | | 09-05-06 | | dwg no 10101165 | | type Product Customer Drawing | |
| | | | | enr | | DENNIS GOH | | 09-05-06 | | FCI | | Rev. A | |
| | | | | chr | | DENNIS GOH | | 09-05-06 | | | | | |
| | | | | appd | | JOEY NG | | 09-05-06 | | | | | |
| sheet index | | revision sheet | | | | | | | | | | | |



| PT. NO. | PARTS NAME | MATERIAL | Q'TY | NOTE |
|---------|----------------|--|------|--|
| 1 | HOUSING | POLYAMIDE RESIN GLASS REINFORCED (UL94V-0) | 1 | COLOR : BLACK |
| 2 | SLIDER | PPS RESIN GLASS REINFORCED (UL94V-0) | 1 | COLOR : BROWN |
| 3 | CONTACT | PHOSPHOR BRONZE | n | PLATING : MATTE PURE TIN Ni UNDER PLATED (LEAD FREE) |
| 4 | MOUNTING PLATE | | 2 | |

RECOMMENDED PC BOARD LAYOUT
(COMPONENT SIDE)

PATTERN FOR MOUNTING PLATE FIXING



n : NO. OF CONTACTS

NOTES

- THIS PRODUCT IS THE CONNECTOR USED FOR FPC/FFC AND COPES WITH AUTOMATIC MOUNTING (SMT).
- THIS PRODUCT IS LOWER CONTACT TYPE CONNECTOR.
- FLATNESS OF CONTACT TERMINAL AND MOUNTING PLATE MUST BE WITHIN TOLERANCE IN E PORTION DETAILED DRAWING.
- THIS PRODUCT MEETS EUROPEAN UNION DIRECTIVES AND OTHER COUNTRY REGULATIONS AS DESCRIBED IN GS-22-008.
- THE HOUSING WILL WITHSTAND EXPOSURE TO 260°C PEAK TEMPERATURE FOR 10 SECONDS IN A REFLOW SOLDERING OVEN.

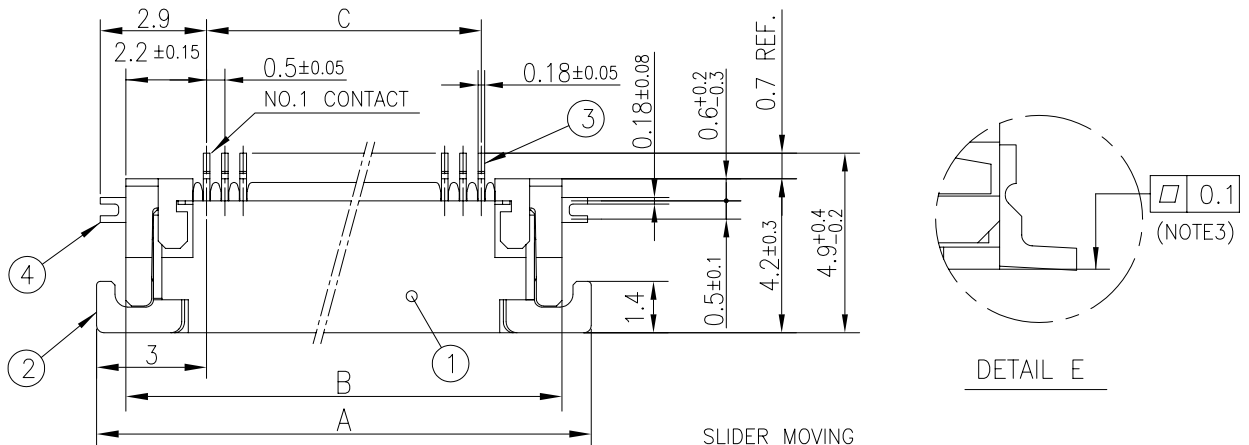
| | | | | | | | | | |
|-------------|--------|---|------|---|--|--|--|--------------------------|--|
| mat'l. code | | surface ISO 1302 ✓ tolerance ISO 406 ISO 1101 | | projection | | product family 58EF | | CODE JP | |
| ltr | ecn no | dr | date | tolerances unless otherwise specified angles linear ±0.2 | | title CONNECTOR USED FOR FPC/FFC WITH 0.5 mm CONTACT SPACING (Cat No. : SFV__R-1ST__LF) | | | |
| A | | | | | | mm | | | |
| | | | | | | scale | | | |
| | | | | dr DENNIS GOH 09-05-06 | | dwg no | | sheet 3 of 9 | |
| | | | | enr DENNIS GOH 09-05-06 | | 10101165 | | size A4 | |
| | | | | chr DENNIS GOH 09-05-06 | | type | | Product Customer Drawing | |
| | | | | appd DENNIS GOH 09-05-06 | | | | | |
| sheet index | | revision sheet | | | | | | Rev. A | |



FCIconnect.com

Copyright FCI.





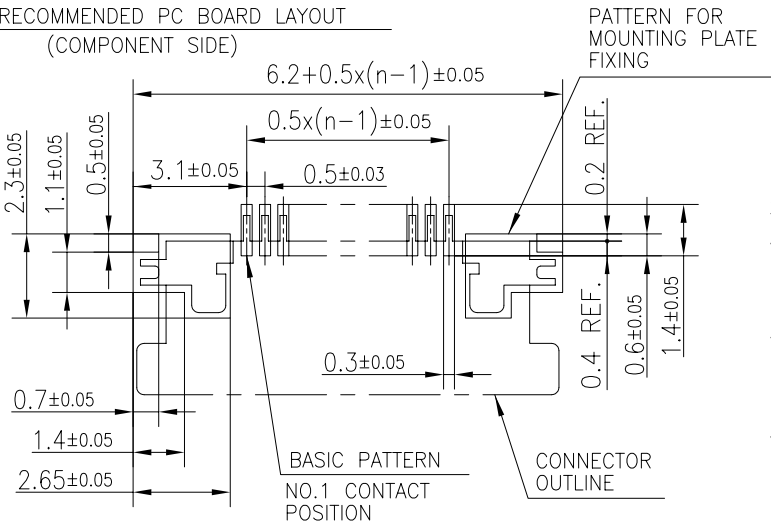
SLIDER MOVING SPACE
1.4 REF.

DETAIL E

| PT. NO. | PARTS NAME | MATERIAL | Q'TY | NOTE |
|---------|----------------|--|------|--|
| 1 | HOUSING | POLYAMIDE RESIN GLASS REINFORCED (UL94V-0) | 1 | COLOR : BLACK |
| 2 | SLIDER | PPS RESIN GLASS REINFORCED (UL94V-0) | 1 | COLOR : BROWN |
| 3 | CONTACT | PHOSPHOR BRONZE | n | PLATING : MATTE PURE TIN Ni UNDER PLATED (LEAD FREE) |
| 4 | MOUNTING PLATE | | 2 | |

n : NO. OF CONTACTS

RECOMMENDED PC BOARD LAYOUT
(COMPONENT SIDE)



NOTES

- 1.THIS PRODUCT IS THE CONNECTOR USED FOR FPC/FFC AND COPES WITH AUTOMATIC MOUNTING (SMT).
- 2.THIS PRODUCT IS UPPER CONTACT TYPE CONNECTOR.
- 3.FLATNESS OF CONTACT TERMINAL AND MOUNTING PLATE MUST BE WITHIN TOLERANCE IN E PORTION DETAILED DRAWING.
- 4.THIS PRODUCT MEETS EUROPEAN UNION DIRECTIVES AND OTHER COUNTRY REGULATIONS AS DESCRIBED IN GS-22-008.
- 5.THE HOUSING WILL WITHSTAND EXPOSURE TO 260°C PEAK TEMPERATURE FOR 10 SECONDS IN A REFLOW SOLDERING OVEN.

| | | | | | | | | | | | |
|-------------|--|--------------------|--|----------------------------|--|------------|--|-------------------------------|--|---|--|
| mat'l. code | | surface ISO 1302 ✓ | | tolerance ISO 406 ISO 1101 | | projection | | product family 58EF | | CODE JP | |
| ltr A | | ecn no | | dr | | date | | title | | CONNECTION USED FOR FPC/FFC WITH 0.5 mm CONTACT SPACING (Cat. No. : SFV__R-2ST__LF) | |
| angles | | linear | | ±0.2 | | mm | | scale | | X | |
| dr | | DENNIS GOH | | 09-05-06 | | enr | | DENNIS GOH | | 09-05-06 | |
| chr | | DENNIS GOH | | 09-05-06 | | appd | | DENNIS GOH | | 09-05-06 | |
| sheet index | | revision sheet | | | | | | dwg no 10101165 | | sheet 4 of 9 size A4 | |
| | | | | | | | | type Product Customer Drawing | | Rev. A | |



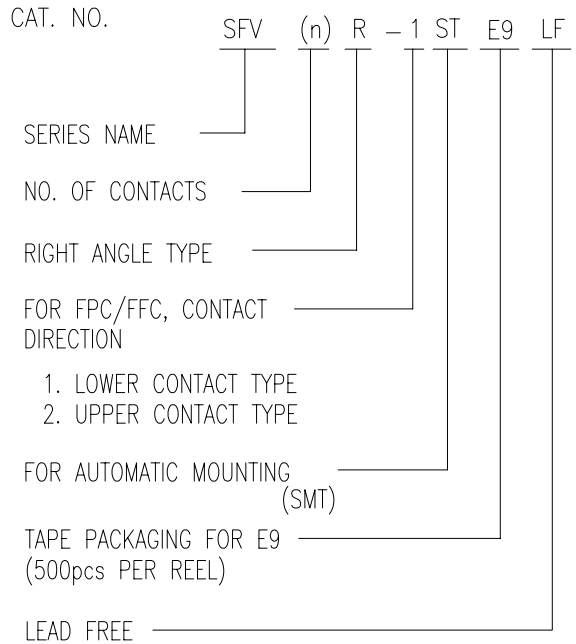
FCIconnect.com

Copyright FCI.



CAT. NO. & DIMENSIONS

| NO. OF CONTACTS (n) | CAT. NO. | DIMENSIONS (NOTE3) | | |
|---------------------|------------------|--------------------|---------|---------|
| | | F MAX. | G ± 0.3 | H ± 0.1 |
| 4 | SFV4R-1/2STE9LF | 22.4 | 16 | — |
| 5 | SFV5R-1/2STE9LF | 22.4 | 16 | — |
| 6 | SFV6R-1/2STE9LF | 22.4 | 16 | — |
| 7 | SFV7R-1/2STE9LF | 30.4 | 24 | — |
| 8 | SFV8R-1/2STE9LF | 30.4 | 24 | — |
| 9 | SFV9R-1/2STE9LF | 30.4 | 24 | — |
| 10 | SFV10R-1/2STE9LF | 30.4 | 24 | — |
| 11 | SFV11R-1/2STE9LF | 30.4 | 24 | — |
| 12 | SFV12R-1/2STE9LF | 30.4 | 24 | — |
| 13 | SFV13R-1/2STE9LF | 30.4 | 24 | — |
| 14 | SFV14R-1/2STE9LF | 30.4 | 24 | — |
| 15 | SFV15R-1/2STE9LF | 30.4 | 24 | — |
| 16 | SFV16R-1/2STE9LF | 30.4 | 24 | — |
| 17 | SFV17R-1/2STE9LF | 30.4 | 24 | — |
| 18 | SFV18R-1/2STE9LF | 30.4 | 24 | — |
| 19 | SFV19R-1/2STE9LF | 30.4 | 24 | — |
| 20 | SFV20R-1/2STE9LF | 30.4 | 24 | — |
| 21 | SFV21R-1/2STE9LF | 30.4 | 24 | — |
| 22 | SFV22R-1/2STE9LF | 30.4 | 24 | — |
| 23 | SFV23R-1/2STE9LF | 38.4 | 32 | 28.4 |
| 24 | SFV24R-1/2STE9LF | 38.4 | 32 | 28.4 |
| 25 | SFV25R-1/2STE9LF | 38.4 | 32 | 28.4 |
| 26 | SFV26R-1/2STE9LF | 38.4 | 32 | 28.4 |
| 27 | SFV27R-1/2STE9LF | 38.4 | 32 | 28.4 |
| 28 | SFV28R-1/2STE9LF | 38.4 | 32 | 28.4 |
| 29 | SFV29R-1/2STE9LF | 38.4 | 32 | 28.4 |
| 30 | SFV30R-1/2STE9LF | 38.4 | 32 | 28.4 |
| 31 | SFV31R-1/2STE9LF | 50.4 | 44 | 40.4 |
| 32 | SFV32R-1/2STE9LF | 50.4 | 44 | 40.4 |
| 33 | SFV33R-1/2STE9LF | 50.4 | 44 | 40.4 |
| 34 | SFV34R-1/2STE9LF | 50.4 | 44 | 40.4 |
| 35 | SFV35R-1/2STE9LF | 50.4 | 44 | 40.4 |



NOTES

1. THIS PRODUCT IS THE CONNECTOR USED FOR FPC AND COPEs WITH AUTOMATIC MOUNTING (SMT).
2. THIS CATALOG NO. INDICATES PLASTIC TAPE PACKAGED CONNECTOR.
3. SEE PART DRAWINGS FOR DIMENSIONS F~H.

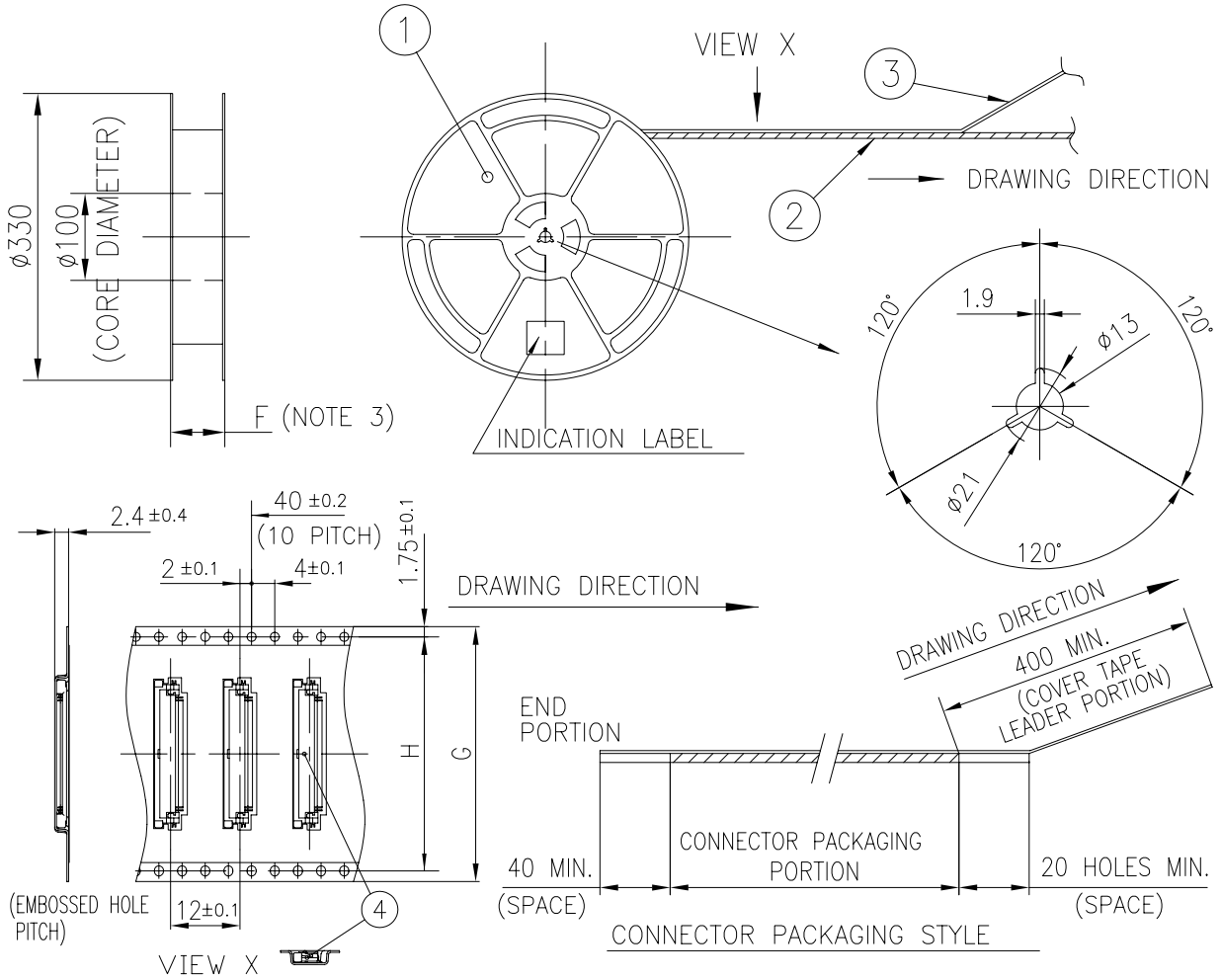


FCIconnect.com

Copyright FCI.

| | | | | | | | | | | | | | |
|-------------|--|----------------|--|--|--|---|--|------------|--|---|--|-------------------------------|--|
| mat'l. code | | | | surface ISO 1302 <input checked="" type="checkbox"/> | | tolerance ISO 406 <input checked="" type="checkbox"/> | | projection | | product family 58EF | | CODE JP | |
| ltr A | | | | ecn no | | dr | | date | | title | | sheet 5 of 9 | |
| | | | | angles | | linear | | mm | | CAT. NO. TABLE FOR PLASTIC TAPE PACKAGED 0.5 mm CONTACT SPACING CONNECTOR (Cat. No. : SFV__R-1/2STE9LF) | | size A4 | |
| | | | | dr | | DENNIS GOH | | 09-05-06 | | dwg no 10101165 | | type Product Customer Drawing | |
| | | | | enr | | DENNIS GOH | | 09-05-06 | | FCI | | Rev. A | |
| | | | | chr | | DENNIS GOH | | 09-05-06 | | | | | |
| | | | | appd | | JOEY NG | | 09-05-06 | | | | | |
| sheet index | | revision sheet | | | | | | | | | | | |

TOLERANCES
UNLESS OTHERWISE SPECIFIED : ±5, ANGLE ±5°



| PT. NO. | PARTS NAME | CAT. NO. | MATERIAL | Q'TY | NOTE |
|---------|-----------------------|----------------|-------------------|-------|------------------------------|
| 1 | REEL | _____ | POLYSTYRENE | 1 | COLOR : BLACK |
| 2 | PLASTIC (EMBOSS) TAPE | _____ | A-PET | _____ | COLOR : TRANSPARENCY (CLEAR) |
| 3 | COVER | _____ | POLYESTER | _____ | COLOR : TRANSPARENCY (CLEAR) |
| 4 | CONNECTOR | SFV__R-1ST__LF | SEE ATTACHED DWG. | 500 | LOWER CONTACT TYPE |

NOTES

- THIS IS PLASTIC TAPE PACKAGED CONNECTOR USED FOR FPC AND COPES WITH AUTOMATIC MOUNTING (SMT).
- SEE JIS C 0806 (PACKING OF ELECTRONIC COMPONENTS ON CONTINUOUS TAPES (SURFACE MOUNTING DEVICES)) FOR SHAPE AND DIMENSIONS OF PLASTIC (EMBOSS) TAPE AND REEL.
- F DIMENSION IS PORTION OF THE CORE.

| | | | | | | | | | | | |
|-------------|--|--|--|---|--|------------|--|--|--|----------------------|--|
| mat'l. code | | surface ISO 1302 <input checked="" type="checkbox"/> | | tolerance ISO 406 <input checked="" type="checkbox"/> | | projection | | product family 58EF | | CODE JP | |
| ltr A | | ecn no | | dr | | date | | title PLASTIC TAPE PACKAGED 0.5 mm CONTACT SPACING CONNECTOR (Cat. No. : SFV__R-1STE9LF) | | | |
| | | | | angles linear | | mm | | scale X | | | |
| | | dr | | DENNIS GOH | | 09-05-06 | | dwg no 10101165 | | sheet 6 of 9 size A4 | |
| | | enr | | DENNIS GOH | | 09-05-06 | | | | | |
| | | chr | | DENNIS GOH | | 09-05-06 | | | | | |
| | | appd | | JOEY NG | | 09-05-06 | | type Product Customer Drawing | | | |
| sheet index | | revision sheet | | | | | | | | Rev. A | |

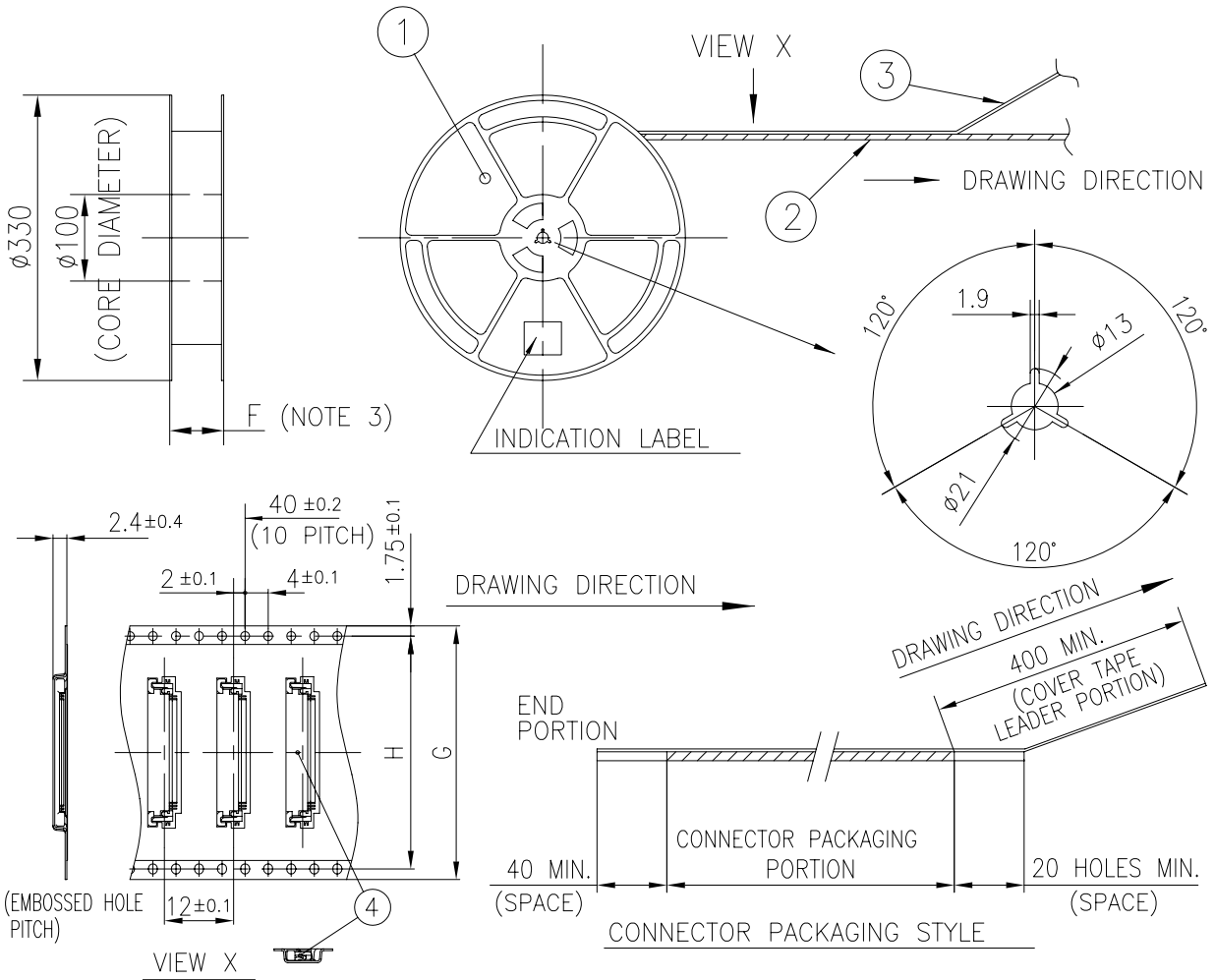


FCIconnect.com

Copyright FCI.



TOLERANCES
UNLESS OTHERWISE SPECIFIED : ±5, ANGLE ±5°



| PT. NO. | PARTS NAME | CAT. NO. | MATERIAL | Q'TY | NOTE |
|---------|-----------------------|----------------|-------------------|-------|------------------------------|
| 1 | REEL | _____ | POLYSTYRENE | 1 | COLOR : BLACK |
| 2 | PLASTIC (EMBOSS) TAPE | _____ | A-PET | _____ | COLOR : TRANSPARENCY (CLEAR) |
| 3 | COVER | _____ | POLYESTER | _____ | COLOR : TRANSPARENCY (CLEAR) |
| 4 | CONNECTOR | SFV__R-2ST__LF | SEE ATTACHED DWG. | 500 | LOWER CONTACT TYPE |

NOTES

- THIS IS PLASTIC TAPE PACKAGED CONNECTOR USED FOR FPC AND COPES WITH AUTOMATIC MOUNTING (SMT).
- SEE JIS C 0806 (PACKING OF ELECTRONIC COMPONENTS ON CONTINUOUS TAPES (SURFACE MOUNTING DEVICES)) FOR SHAPE AND DIMENSIONS OF PLASTIC (EMBOSS) TAPE AND REEL.
- F DIMENSION IS PORTION OF THE CORE.

| | | | | | | | | | | | |
|-------------|--|--|--|---|--|------------|--|--|--|-------------------------------|--|
| mat'l. code | | surface ISO 1302 <input checked="" type="checkbox"/> | | tolerance ISO 406 <input checked="" type="checkbox"/> | | projection | | product family 58EF | | CODE JP | |
| ltr A | | ecn no | | dr | | date | | title PLASTIC TAPE PACKAGED 0.5 mm CONTACT SPACING CONNECTOR (Cat. No. : SFV__R-2STE9LF) | | sheet 7 of 9 | |
| | | angles | | linear | | mm | | scale X | | size A4 | |
| | | dr | | DENNIS GOH | | 09-05-06 | | dwg no 10101165 | | type Product Customer Drawing | |
| | | enr | | DENNIS GOH | | 09-05-06 | | | | Rev. A | |
| | | chr | | DENNIS GOH | | 09-05-06 | | | | | |
| | | appd | | JOEY NG | | 09-05-06 | | | | | |
| sheet index | | revision sheet | | | | | | | | | |



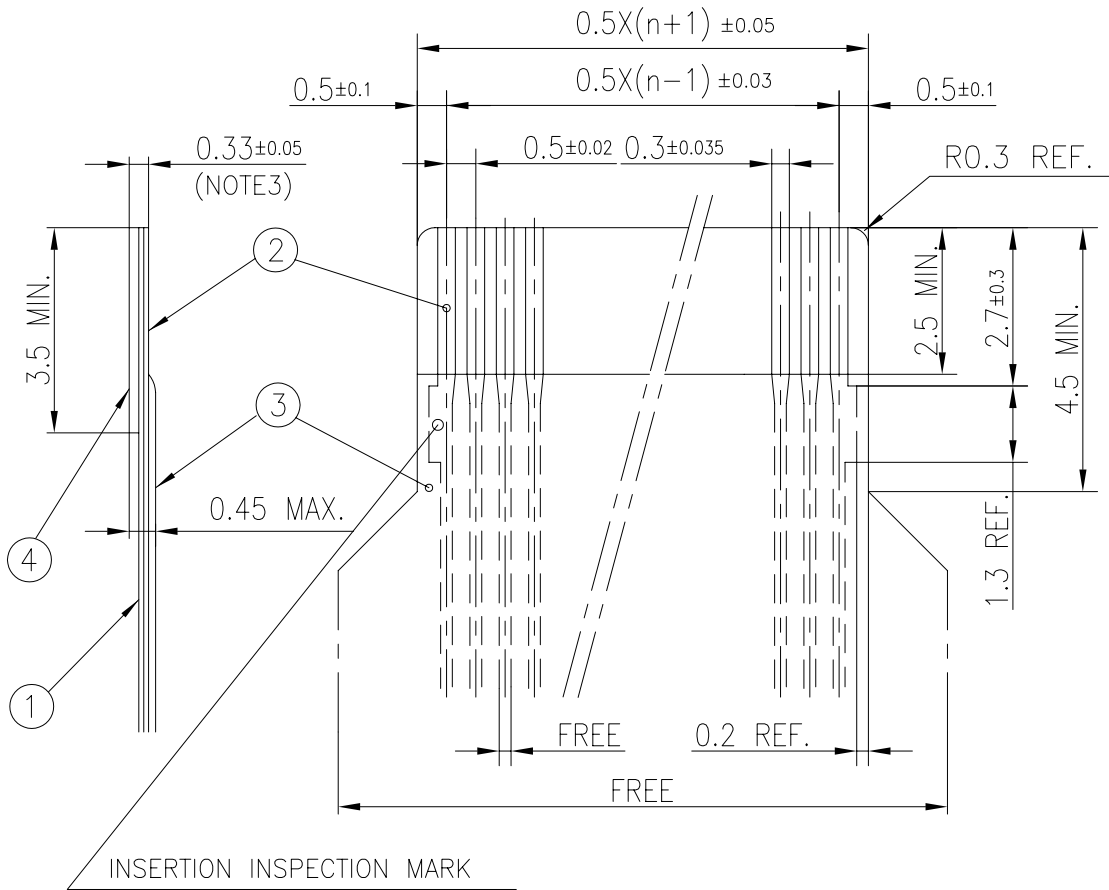
FCIconnect.com

Copyright FCI.



RECOMMENDED CABLE (FPC)

n : NO. OF CONTACTS



| PT. NO. | PARTS NAME | MATERIAL | THICKNESS (um) |
|---------|-----------------|--|----------------|
| 1 | BASE FILM | POLYIMIDE OR POLYESTER OR EQUAL | 25 |
| 2 | CONDUCTOR | COPPER FOIL(PLATING : SOLDER 1um MIN.) | 35 |
| 3 | OVERLAY | POLYIMIDE OR POLYESTER OR EQUAL | — |
| 4 | SUPPORTING TAPE | POLYESTER OR POLYIMIDE OR EQUAL | 188 |

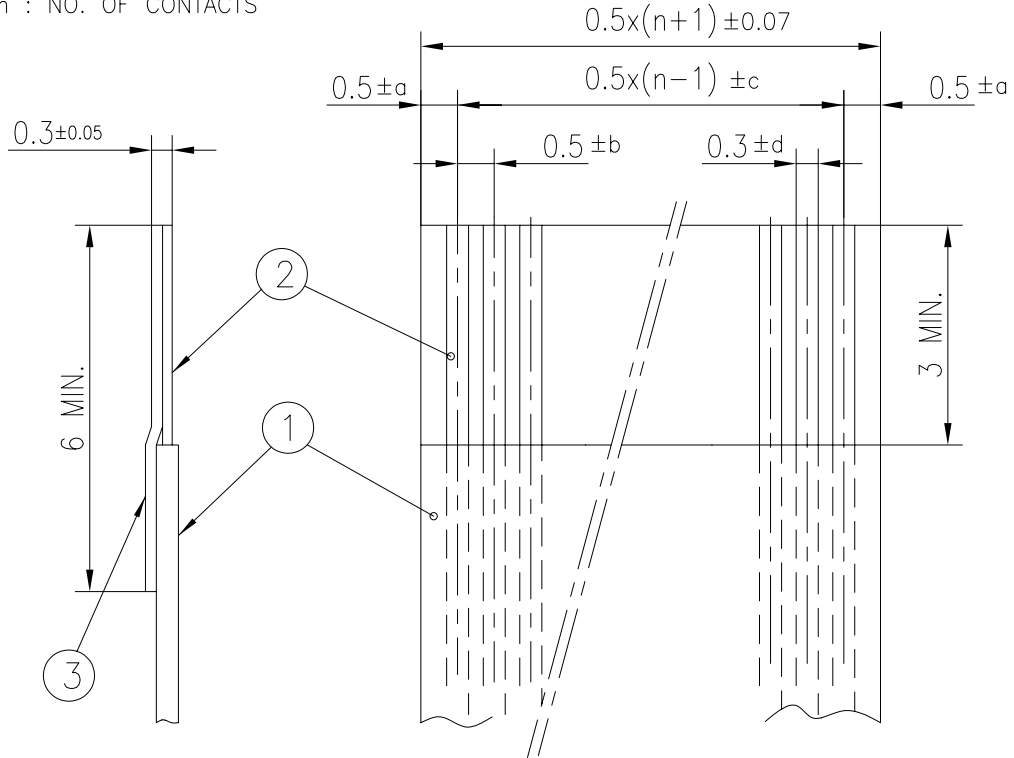
NOTES

1. NO BURR AT EACH PORTION.
2. NO PEELING IN COMMON USE.
3. TOTAL THICKNESS LIMIT OF EACH MATERIAL (INCLUDING ADHESIVE AGENT) IS SPECIFIED.

| | | | | | | | | | | | |
|-------------|--------|---|------|---------------------------------------|------------|-----------------|--|---|-------------------------------|----------------------------|--|
| mat'l. code | | surface ISO 1302 <input checked="" type="checkbox"/> | | tolerance ISO 406 ISO 1101 | | projection | | product family 58EF | | CODE JP | |
| ltr A | ecn no | dr | date | tolerances unless otherwise specified | | mm | | title RECOMMENDED CABLE (Cat. No. : SFV__R-1/2ST__) | | | |
| | | | | angles | linear | scale \propto | | dwg no 10101165 | | sheet 8 of 9 size A4 | |
| | | | | dr | DENNIS GOH | 09-05-06 | | | type Product Customer Drawing | | |
| | | | | enr | DENNIS GOH | 09-05-06 | | | | | |
| | | | | chr | DENNIS GOH | 09-05-06 | | | | | |
| | | | | appd | JOEY NG | 09-05-06 | | | | | |
| sheet index | | revision sheet | | | | | | | | Rev. A | |

RECOMMENDED CABLE (FFC)

n : NO. OF CONTACTS



| KIND OF FFC (NOTE3) | DIMENSIONAL TOLERANCE | | | |
|---------------------|-----------------------|-------|-------|--------|
| | a | b | c | d |
| 1 | ±0.07 | ±0.04 | ±0.05 | ±0.02 |
| 2 | ±0.1 | ±0.03 | ±0.03 | ±0.025 |

| PT. NO. | PARTS NAME | MATERIAL | NOTE |
|---------|-----------------|-------------------------------------|-------------------------------------|
| 1 | INSULATOR | FLAME RESISTING POLYESTER OR EQUAL | _____ |
| 2 | CONDUCTOR | COPPER FOIL:THICKNESS 35 OR 50um | PLATING : TIN OR SOLDER 1um MIN. |
| 3 | SUPPORTING TAPE | FLAME RESISTING POLYESTER OR EQUAL | _____ |

NOTES

1. NO BURR AT EACH PORTION.
2. NO PEELING IN COMMON USE.
3. EITHER KIND1 OR KIND2 OF FFC CAN ACCEPT DIMENSIONAL TOLERANCE a,b,c AND d.

| | | | | | | | | | | | | | |
|-------------|--------|----------------|------|---|------------|--|--|----------------|--|---|-------------------------------|----------------------------|--|
| mat'l. code | | | | surface ISO 1302 <input checked="" type="checkbox"/> | | tolerance ISO 406 <input checked="" type="checkbox"/> ISO 1101 | | projection | | product family 58EF | | CODE JP | |
| ltr | ecn no | dr | date | tolerances unless otherwise specified | | | | mm | | title RECOMMENDED CABLE (Cat. No. : SFV__R-1/2ST__) | | | |
| A | | | | angles | linear | | | scale \times | | dwg no 10101165 | | sheet 9 of 9 size A4 | |
| | | | | dr | DENNIS GOH | 09-05-06 | | | | | type Product Customer Drawing | | |
| | | | | enr | DENNIS GOH | 09-05-06 | | | | | | | |
| | | | | chr | DENNIS GOH | 09-05-06 | | | | | | | |
| | | | | appd | JOEY NG | 09-05-06 | | | | | | | |
| sheet index | | revision sheet | | | | | | | | | | Rev. A | |

X-ON Electronics

Largest Supplier of Electrical and Electronic Components

Click to view similar products for [FFC & FPC Connectors](#) category:

Click to view products by [Amphenol](#) manufacturer:

Other Similar products are found below :

[HFW11R-1STE1H1LF](#) [FH29B-100S-0.2SHW\(99\)](#) [FA5S008HP1](#) [FH29B-120S-0.2SHW\(99\)](#) [FH29B-80S-0.2SHW\(99\)](#) [FHS-16](#) [FPH-2022G](#)
[52610-1075](#) [52610-1275](#) [52610-1934](#) [XF3M\(1\)-1415-1B-R100](#) [501864-3091-TR225](#) [0525594033](#) [086210010340800](#) [086222026001800](#)
[52271-2869-CUT-TAPE](#) [62674-201121DLF](#) [62684-36210E9ALF](#) [52610-1675](#) [52746-1671-TR250](#) [10051922-2810EHLF](#) [6-520415-9](#)
[BD021-09A-A1-0350-0200-0550-LD](#) [SFV6R-1STE9HLF](#) [XF3M-2915-1B-R100](#) [1658549-1](#) [62674-221121ALF](#) [46214008010800](#)
[046298003000883](#) [151660622](#) [842-816-2630-035](#) [AYF530665TA](#) [AYF351525](#) [046296011930846+](#) [AYF352325A](#) [046254020000800+](#)
[FH19C-13S-0.5SH\(99\)](#) [FH39J-51S-0.3SHW\(99\)](#) [AYF355125A](#) [AYF530365TA](#) [FH29B-44S-0.2SHW\(99\)](#) [SFW5R-2STAE9LF](#) [AYF351125A](#)
[AYF350725A](#) [62684-502100AHLF](#) [FH39-61S-0.3SHW\(99\)](#) [AYF414035A](#) [10064555-172520HLF](#) [AYF212335A](#) [504754-2500](#)