



FCconnect.com

Copyright FCJ

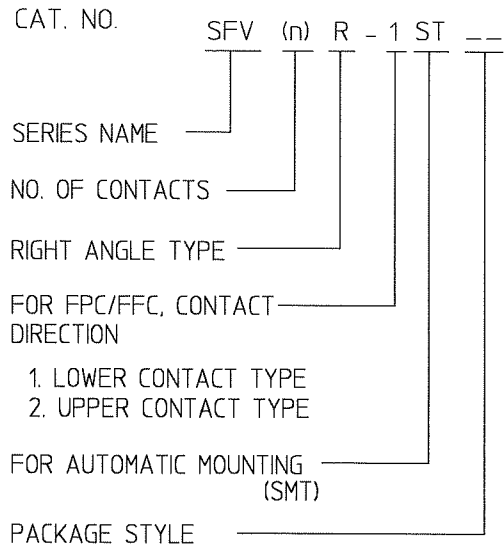
List of "SFV__R-1/2STE1" customer document

DOCUMENT NO.	LIST
SC-SFV01	SPEC.
JSA92450	CAT.NO.TABLE FOR 0.5mm CONTACT SPACING CONNECTOR (SFV__R-1/2ST_)
JSA92451	CONNECTOR USED FOR FPC/FFC WITH 0.5mm CONTACT SPACING (SFV__R-1ST_)
JSA92452	CONNECTOR USED FOR FPC/FFC WITH 0.5mm CONTACT SPACING (SFV__R-2ST_)
JSA92453	CAT.NO.TABLE FOR PLASTIC TAPE PACKAGED 0.5mm CONTACT SPACING CONNECTOR (SFV__R-1/2STE1)
JSA92454	PLASTIC TAPE PACKAGED 0.5mm CONTACT SPACING CONNECTOR (SFV__R-1STE1)
JSA92455	PLASTIC TAPE PACKAGED 0.5mm CONTACT SPACING CONNECTOR (SFV__R-2STE1)
JSA92456	RECOMMENDED CABLE (FPC) (SFV__R-1/2ST_)
JSA92457	RECOMMENDED CABLE (FFC) (SFV__R-1/2ST_)
BJM-SFV101	HANDLING PROCEDURES

mat'l. code				surface ISO 1302 <input checked="" type="checkbox"/>		tolerance ISO 406 ISO 1101		projection		product family 58EF		
ltr	ecn no	dr	date	tolerances unless otherwise specified						title 0.5mm SPACING FPC/FFC CONNECTOR DOCUMENT LIST (Cat. No. : SFV__R-1/2STE1)		
A	J03-0196	H.T	'03/5/1	angles linear								
B	J06-0372	H.T	'06/9/7							dwg no sheet 1 of 1 size		
				dr <i>H. Johnson</i> 9/7/06						JSA 95808		A4
				engr <i>H. Johnson</i> 9/7/06						type Product Customer Drawing		
				chr <i>R. Shouji</i> 9/8/06								
				appd <i>S. O'donovan</i> 9/11/06								
sheet index	revision sheet	B	1							Rev. B		

CAT. NO. & DIMENSIONS

NO. OF CONTACTS (n)	CAT. NO.	DIMENSIONS (NOTE2)			
		A ± 0.2	B ± 0.2	C ± 0.1	D ± 0.1
4	SFV4R-1/2ST__	7.5	5.9	15	27
5	SFV5R-1/2ST__	8.0	6.4	20	32
6	SFV6R-1/2ST__	8.5	6.9	25	37
7	SFV7R-1/2ST__	9.0	7.4	30	42
8	SFV8R-1/2ST__	9.5	7.9	35	47
9	SFV9R-1/2ST__	10.0	8.4	40	52
10	SFV10R-1/2ST__	10.5	8.9	45	57
11	SFV11R-1/2ST__	11.0	9.4	50	62
12	SFV12R-1/2ST__	11.5	9.9	55	67
13	SFV13R-1/2ST__	12.0	10.4	60	72
14	SFV14R-1/2ST__	12.5	10.9	65	77
15	SFV15R-1/2ST__	13.0	11.4	70	82
16	SFV16R-1/2ST__	13.5	11.9	75	87
17	SFV17R-1/2ST__	14.0	12.4	80	92
18	SFV18R-1/2ST__	14.5	12.9	85	97
19	SFV19R-1/2ST__	15.0	13.4	90	102
20	SFV20R-1/2ST__	15.5	13.9	95	107
21	SFV21R-1/2ST__	16.0	14.4	100	112
22	SFV22R-1/2ST__	16.5	14.9	105	117
23	SFV23R-1/2ST__	17.0	15.4	110	122
24	SFV24R-1/2ST__	17.5	15.9	115	127
25	SFV25R-1/2ST__	18.0	16.4	120	132
26	SFV26R-1/2ST__	18.5	16.9	125	137
27	SFV27R-1/2ST__	19.0	17.4	130	142
28	SFV28R-1/2ST__	19.5	17.9	135	147
29	SFV29R-1/2ST__	20.0	18.4	140	152
30	SFV30R-1/2ST__	20.5	18.9	145	157
31	SFV31R-1/2ST__	21.0	19.4	150	162
32	SFV32R-1/2ST__	21.5	19.9	155	167
33	SFV33R-1/2ST__	22.0	20.4	160	172
34	SFV34R-1/2ST__	22.5	20.9	165	177
35	SFV35R-1/2ST__	23.0	21.4	170	182



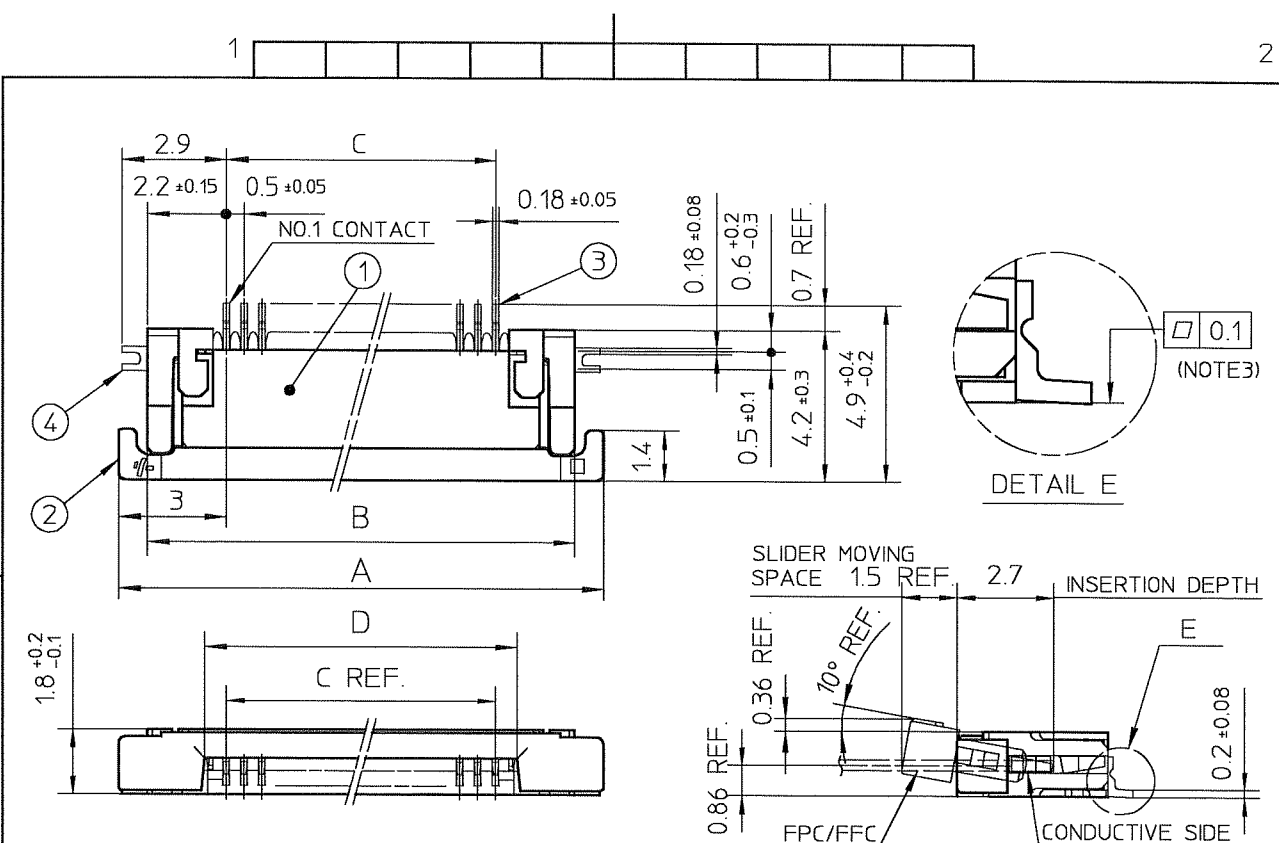
NOTES

1. THIS PRODUCT IS THE CONNECTOR USED FOR FPC/FFC AND COPES WITH AUTOMATIC MOUNTING (SMT).
2. SEE PART DRAWINGS FOR DIMENSIONS A-D.



Copyright FCI

mat'l. code				surface ISO 1302 ✓		tolerance ISO 406 ISO 1101		projection		product family 58EF			
ltr	ecn no	dr	date	tolerances unless otherwise specified						title			
1	—	S.I	'93/9/9	angles		linear				CAT. NO. TABLE FOR 0.5 mm CONTACT SPACING CONNECTOR (Cat. No. : SFV__R-1/2ST__)			
2	—	M.H	'95/1/17					scale X		dwg no sheet 1 of 1 size			
3	—	M.I	'97/1/5							JSA 92450 A4			
4	J00182	M.Y	'00/4/24	dr	<i>H. Shouh</i> 9/7/06				type Product Customer Drawing				
AA	J03-0196	H.T	'03/5/1	enr	<i>H. Shouh</i> 9/7/06								
AB	J06-0372	H.T	'06/9/7	chr	<i>R. Shouh</i> 9/7/06								
				appd	<i>P. Madan</i> 8/11/06								
sheet index	revision sheet	AB	1									Rev. AB	

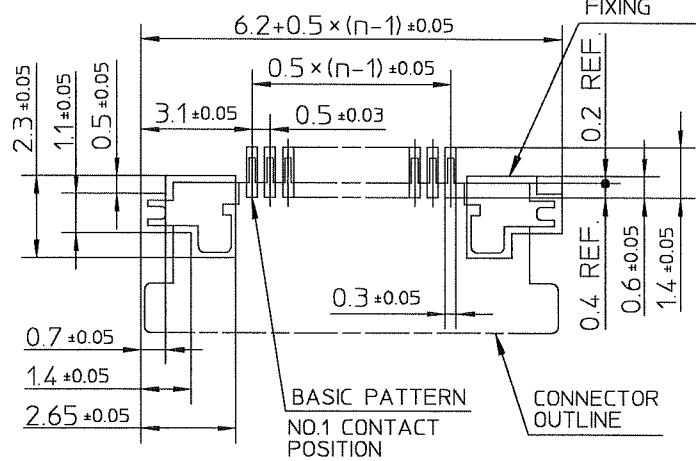


PT. NO.	PARTS NAME	MATERIAL	Q'TY	NOTE
1	HOUSING	POLYAMIDE RESIN GLASS REINFORCED (UL94V-0)	1	COLOR : BLACK
2	SLIDER	PPS RESIN GLASS REINFORCED (UL94V-0)	1	COLOR : BROWN
3	CONTACT	PHOSPHOR BRONZE	n	PLATING : TIN ALLOY
4	MOUNTING PLATE		2	

RECOMMENDED PC BOARD LAYOUT
(COMPONENT SIDE)

PATTERN FOR MOUNTING PLATE
FIXING

n : NO. OF CONTACTS

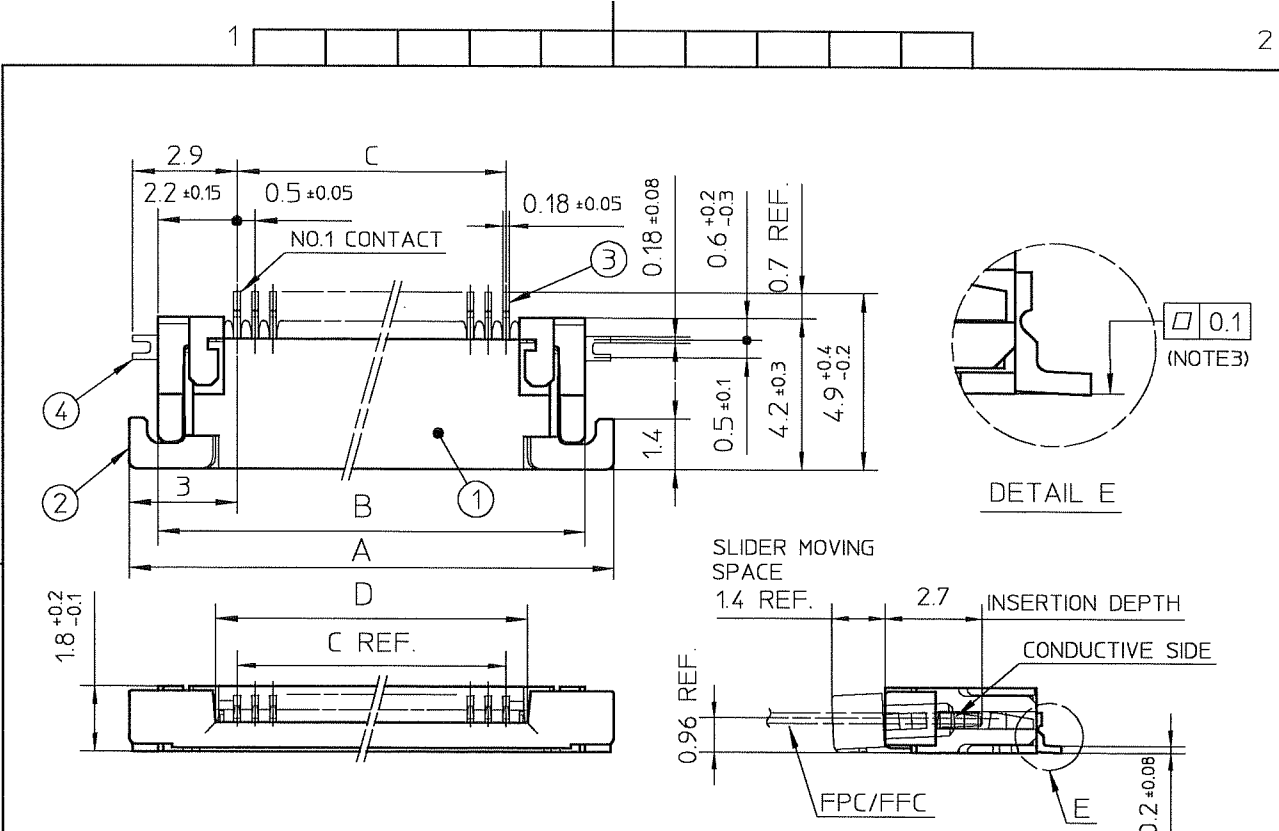


NOTES

1. THIS PRODUCT IS THE CONNECTOR USED FOR FPC/FFC AND COPES WITH AUTOMATIC MOUNTING (SMT).
2. THIS PRODUCT IS LOWER CONTACT TYPE CONNECTOR.
3. FLATNESS OF CONTACT TERMINAL AND MOUNTING PLATE MUST BE WITHIN TOLERANCE IN E PORTION DETAILED DRAWING.

mat'l. code		surface ISO 1302		tolerance ISO 406 ISO 1101		projection		product family 58EF		
ltr	ecn no	dr	date	tolerances unless otherwise specified		title		CONNECTION USED FOR FPC/FFC WITH 0.5 mm CONTACT SPACING (Cat No. : SFV__R-1ST__)		
1		S.I	'93/9/9	angles	linear	scale		dwg no sheet 1 of 1 size		
2		M.H	'94/12/8			JSA 92451		A4		
3		M.H	'95/11/10			type Product Customer Drawing				
4	J00182	M.Y	'00/4/24	dr	W. Pichay 9/1/06	FCJ				
AA	J03-0196	H.T	'06/5/1	engr	W. Pichay 9/17/06					
AB	J06-0064	H.T	'06/2/23	chr	R. Showri 9/1/06					
AC	J06-0372	H.T	'06/9/17	appd	P. Chudav 9/11/06					
sheet index	revision sheet	AC	1							Rev. AC

SC-SFV01 JSA92450 form: A4

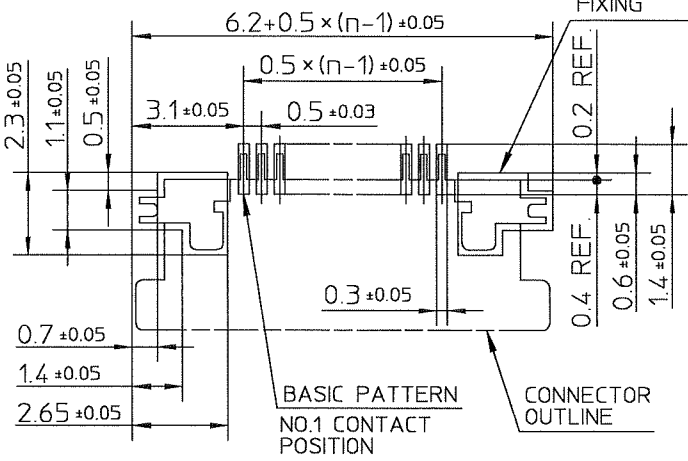


PT. NO.	PARTS NAME	MATERIAL	Q'TY	NOTE
1	HOUSING	POLYAMIDE RESIN GLASS REINFORCED (UL94V-0)	1	COLOR : BLACK
2	SLIDER	PPS RESIN GLASS REINFORCED (UL94V-0)	1	COLOR : BROWN
3	CONTACT	PHOSPHOR BRONZE	n	PLATING : TIN ALLOY
4	MOUNTING PLATE		2	

RECOMMENDED PC BOARD LAYOUT
(COMPONENT SIDE)

PATTERN FOR MOUNTING PLATE
FIXING

n : NO. OF CONTACTS



NOTES

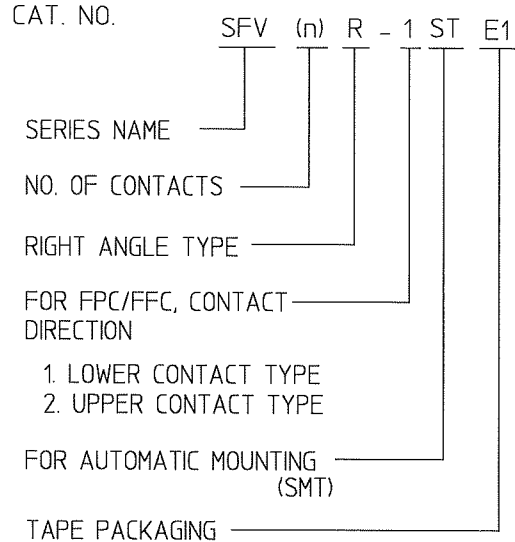
1. THIS PRODUCT IS THE CONNECTOR USED FOR FPC/FFC AND COPES WITH AUTOMATIC MOUNTING (SMT).
2. THIS PRODUCT IS UPPER CONTACT TYPE CONNECTOR.
3. FLATNESS OF CONTACT TERMINAL AND MOUNTING PLATE MUST BE WITHIN TOLERANCE IN E PORTION DETAILED DRAWING.

mat'l. code		surface ISO 1302 ✓		tolerance ISO 406 ISO 1101		projection		product family 58EF	
ltr	ecn no	dr	date	tolerances unless otherwise specified		title		CONNECTION USED FOR FPC/FFC WITH 0.5 mm CONTACT SPACING (Cat. No. : SFV__R-2ST__)	
1	—	S.I	'93/9/9	angles	linear	scale X		dwg no JSA 92452 sheet 1 of 1 size A4	
2	—	M.H	'94/12/8	±0.2		FCJ		type Product Customer Drawing	
3	—	M.H	'95/11/10	dr	9/7/06	sheet 1 of 1		Rev. AC	
4	J00182	M.Y	'00/4/24	engr	9/7/06	size A4			
AA	J03-0196	H.T	'03/5/1	chr	9/7/06				
AB	J06-0064	H.T	'06/2/23	appd	9/11/06				
AC	J06-0372	H.T	'06/9/7						
sheet index	revision sheet	AC	1						

SC-SFV01 JSA92450 form: A4

CAT. NO. & DIMENSIONS

NO. OF CONTACTS (n)	CAT. NO.	DIMENSIONS (NOTE3)		
		F ± 5	G ± 0.3	H ± 0.1
4	SFV4R-1/2STE1	20.4	16	—
5	SFV5R-1/2STE1	20.4	16	—
6	SFV6R-1/2STE1	20.4	16	—
7	SFV7R-1/2STE1	28.4	24	—
8	SFV8R-1/2STE1	28.4	24	—
9	SFV9R-1/2STE1	28.4	24	—
10	SFV10R-1/2STE1	28.4	24	—
11	SFV11R-1/2STE1	28.4	24	—
12	SFV12R-1/2STE1	28.4	24	—
13	SFV13R-1/2STE1	28.4	24	—
14	SFV14R-1/2STE1	28.4	24	—
15	SFV15R-1/2STE1	28.4	24	—
16	SFV16R-1/2STE1	28.4	24	—
17	SFV17R-1/2STE1	28.4	24	—
18	SFV18R-1/2STE1	28.4	24	—
19	SFV19R-1/2STE1	28.4	24	—
20	SFV20R-1/2STE1	28.4	24	—
21	SFV21R-1/2STE1	28.4	24	—
22	SFV22R-1/2STE1	28.4	24	—
23	SFV23R-1/2STE1	36.4	32	28.4
24	SFV24R-1/2STE1	36.4	32	28.4
25	SFV25R-1/2STE1	36.4	32	28.4
26	SFV26R-1/2STE1	36.4	32	28.4
27	SFV27R-1/2STE1	36.4	32	28.4
28	SFV28R-1/2STE1	36.4	32	28.4
29	SFV29R-1/2STE1	36.4	32	28.4
30	SFV30R-1/2STE1	36.4	32	28.4
31	SFV31R-1/2STE1	48.4	44	40.4
32	SFV32R-1/2STE1	48.4	44	40.4
33	SFV33R-1/2STE1	48.4	44	40.4
34	SFV34R-1/2STE1	48.4	44	40.4
35	SFV35R-1/2STE1	48.4	44	40.4



NOTES

1. THIS PRODUCT IS THE CONNECTOR USED FOR FPC/FFC AND COPEs WITH AUTOMATIC MOUNTING (SMT).
2. THIS CATALOG NO. INDICATES PLASTIC TAPE PACKAGED CONNECTOR.
3. SEE PART DRAWINGS FOR DIMENSIONS F-H.

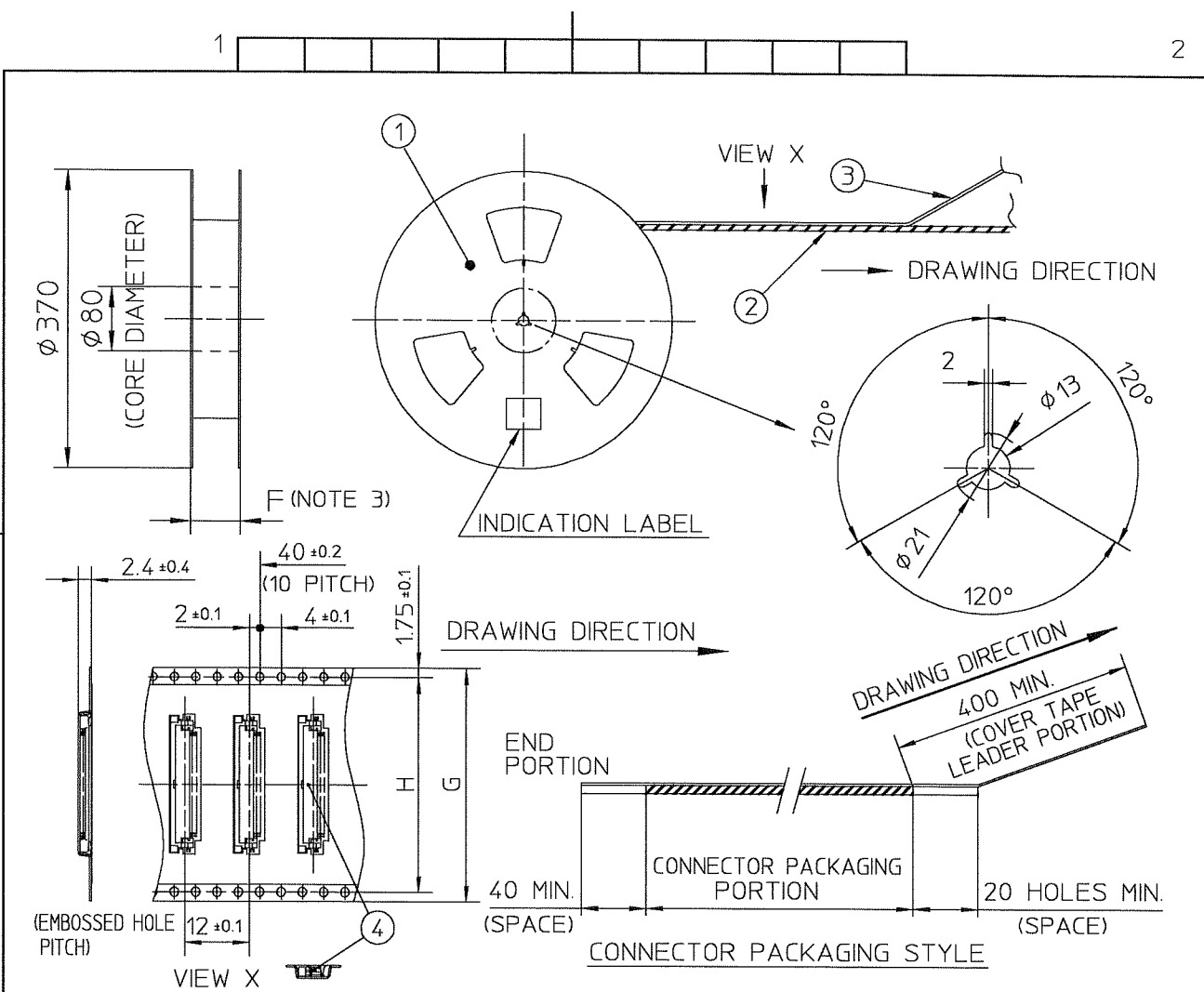


FCIconnect.com

Copyright FCI

mat'l. code				surface ISO 1302 ✓		tolerance ISO 406 ISO 1101		projection		product family 58EF					
ltr ecn no dr date				tolerances unless otherwise specified				title		CAT. NO. TABLE FOR PLASTIC TAPE PACKAGED 0.5 mm CONTACT SPACING CONNECTOR (Cat. No. : SFV__R-1/2STE1)					
4 — M.I '97/11/5				angles linear				scale X		dwg no sheet 1 of 1 size					
5 J00182 M.Y '00/4/24				dr <i>K. Shrivastava</i> 9/7/06						JSA 92453 A4					
AA J03-0196 H.T '03/5/1				engr <i>H. Shrivastava</i> 9/7/06						type Product Customer Drawing					
AB J06-0372 H.T '06/9/7				chr <i>R. Shrivastava</i> 9/8/06						Rev. AB					
sheet index				revision sheet				AB 1				1			

SC-SFV01 JSA92450 form: A4



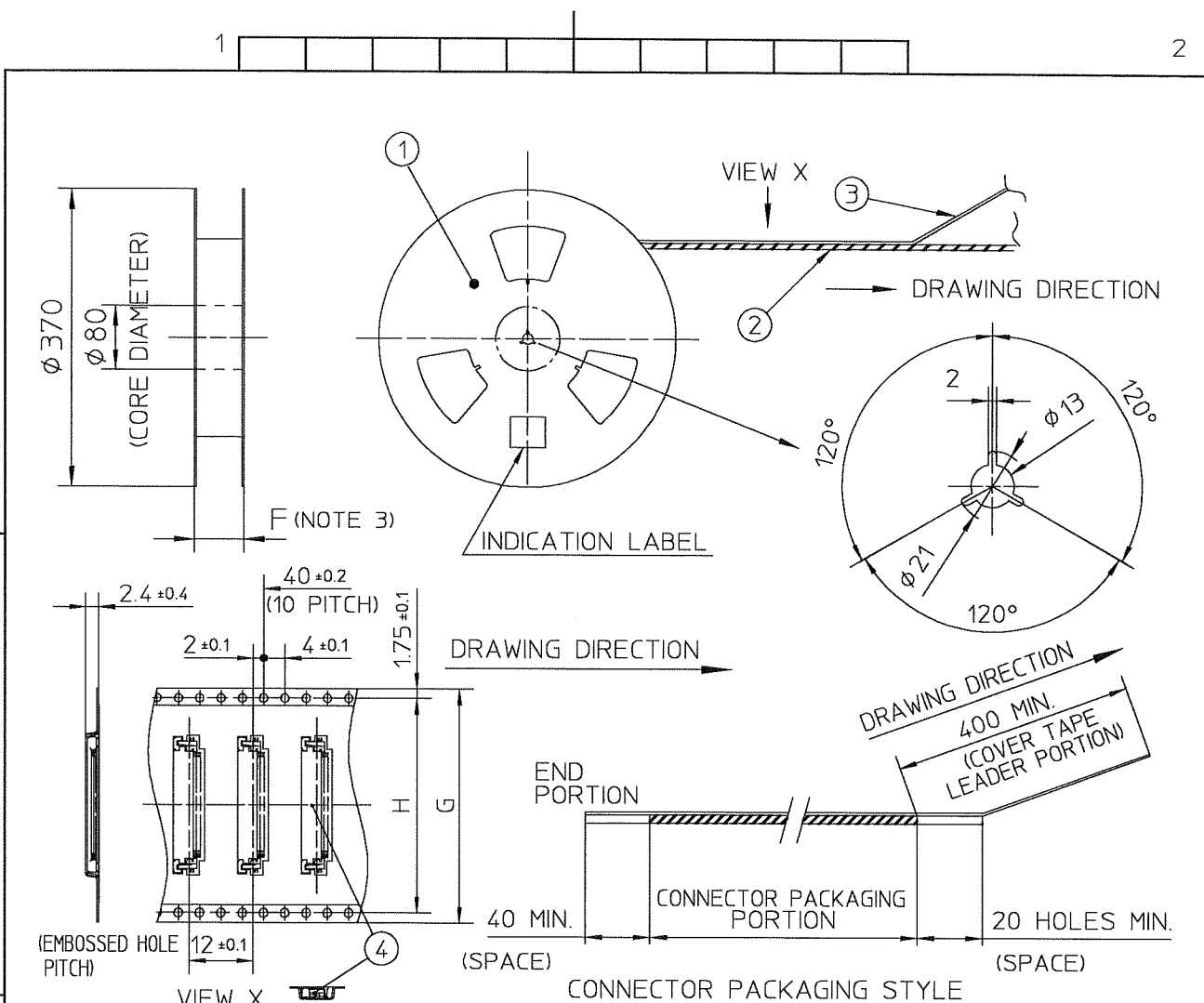
PT. NO.	PARTS NAME	CAT. NO.	MATERIAL	Q'TY	NOTE
1	REEL	—	CARDBOARD	1	COLOR : WHITE
2	PLASTIC (EMBOSS) TAPE	—	A-PET	—	COLOR : TRANSPARENCY
3	COVER	—	POLYESTER	—	COLOR : TRANSPARENCY
4	CONNECTOR	SFV__R-1ST__	SEE ATTACHED DWG.	3000	LOWER CONTACT TYPE

NOTES

1. THIS IS PLASTIC TAPE PACKAGED CONNECTOR USED FOR FPC/FFC AND COPES WITH AUTOMATIC MOUNTING (SMT).
2. SEE JIS C 0806 (PACKING OF ELECTRONIC COMPONENTS ON CONTINUOUS TAPES (SURFACE MOUNTING DEVICES)) FOR SHAPE AND DIMENSIONS OF PLASTIC (EMBOSS) TAPE AND REEL.
3. F DIMENSION IS PORTION OF THE CORE.

mat'l. code		surface ISO 1302 ✓		tolerance ISO 406 ISO 1101		projection		product family 58EF		
ltr	ecn no	dr	date	tolerances unless otherwise specified		title		PLASTIC TAPE PACKAGED		
1	—	MK	'96/7/13	angles	linear	0.5 mm CONTACT SPACING CONNECTOR		(Cat. No. : SFV__R-1STE1)		
AA	J03-0196	H.T	'03/5/1	±5°		scale X				
AB	J06-0372	H.T	'06/9/17			FCJ		dwg no sheet 1 of 1 size		
				dr	9/9/06			JSA 92454 A4		
				engr	9/9/06			type Product Customer Drawing		
				chr	9/8/06					
				appd	9/11/06					
sheet index	revision sheet	AB	1							Rev. AB

SC-SFV01 JSA92450 form: A4



PT. NO.	PARTS NAME	CAT. NO.	MATERIAL	Q'TY	NOTE
1	REEL	_____	CARDBOARD	1	COLOR : WHITE
2	PLASTIC (EMBOSS) TAPE	_____	A-PET	_____	COLOR : TRANSPARENCY
3	COVER	_____	POLYESTER	_____	COLOR : TRANSPARENCY
4	CONNECTOR	SFV__R-2ST__	SEE ATTACHED DWG.	3000	UPPER CONTACT TYPE

NOTES

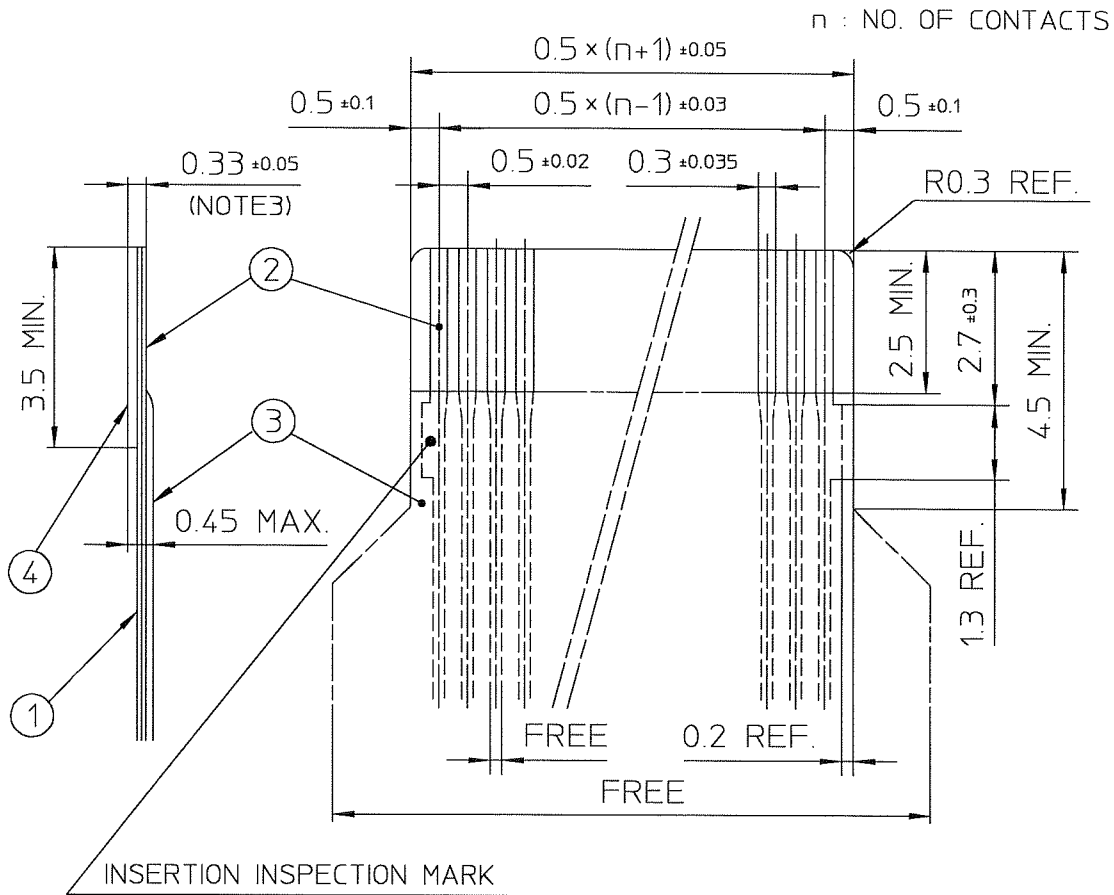
- THIS IS PLASTIC TAPE PACKAGED CONNECTOR USED FOR FPC/FFC AND CYPES WITH AUTOMATIC MOUNTING (SMT).
- SEE JIS C 0806 (PACKING OF ELECTRONIC COMPONENTS ON CONTINUOUS TAPES (SURFACE MOUNTING DEVICES)) FOR SHAPE AND DIMENSIONS OF PLASTIC (EMBOSS) TAPE AND REEL.

CHANGED DRAWING PORTION FORM CHANGED. DIMENSION IS PORTION OF THE CORE.

mat'l. code				surface ISO 1302 ✓		tolerance ISO 406 ISO 1101		projection		product family 58EF		
lfr	ecn no	dr	date	tolerances unless otherwise specified						title		
1	_____	M.K	'96/7/3	angles		±5				PLASTIC TAPE PACKAGED 0.5 mm CONTACT SPACING CONNECTOR (Cat. No. : SFV__R-2STE1)		
AA	J03-0196	H.T	'03/5/1	linear				scale X		dwg no		
AB	J06-0372	H.T	'06/9/7	±5°						sheet 1 of 1 size A4		
				dr	9/7/06				JSA 92455			
				engr	9/7/06				type Product Customer Drawing			
				chr	9/8/06							
				appd	9/11/06							
sheet index	revision sheet	AB	1									Rev. AB

SC-SFV01 JSA92450 form: A4

RECOMMENDED CABLE (FPC)



PT. NO.	PARTS NAME	MATERIAL	THICKNESS(μm)
1	BASE FILM	POLYIMIDE OR POLYESTER OR EQUAL	25
2	CONDUCTOR	COPPER FOIL(PLATING : SOLDER 1μm MIN.)	35
3	OVERLAY	POLYIMIDE OR POLYESTER OR EQUAL	—
4	SUPPORTING TAPE	POLYESTER OR POLYIMIDE OR EQUAL	188

NOTES

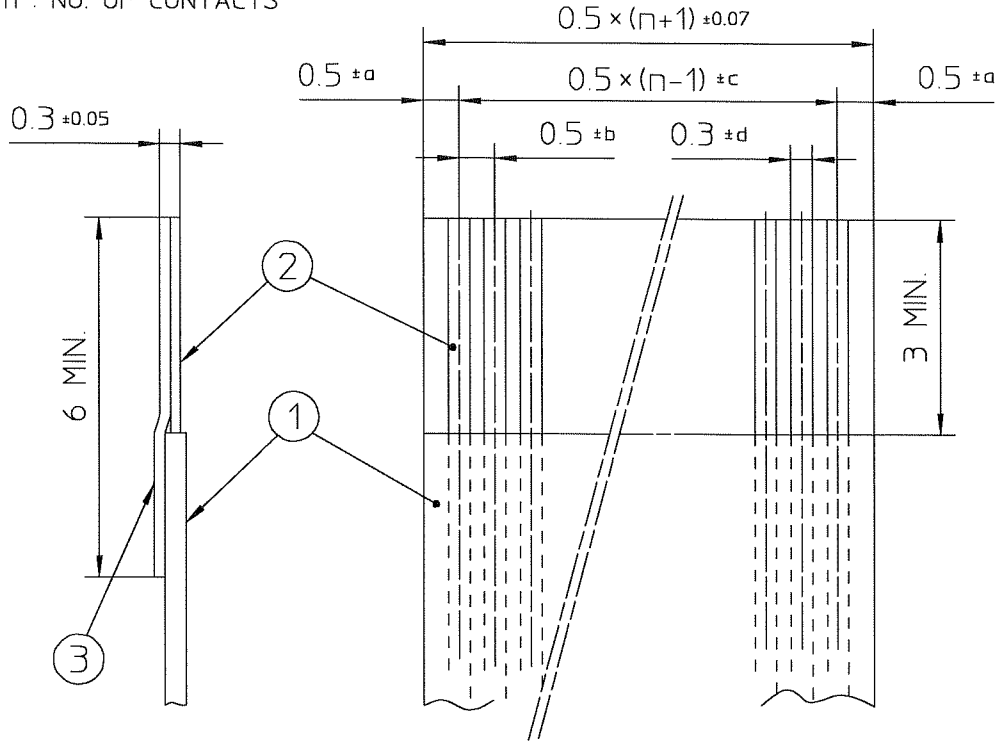
1. NO BURR AT EACH PORTION.
2. NO PEELING IN COMMON USE.
3. TOTAL THICKNESS LIMIT OF EACH MATERIAL (INCLUDING ADHESIVE AGENT) IS SPECIFIED.

mat'l. code				surface ISO 1302 ✓		tolerance ISO 406 ISO 1101		projection		product family 58EF	
ltr				ecn no				dr		date	
1				—				M.H		'94/12/8	
AA				J03-0196				H.T		'03/5/1	
AB				J06-0372				H.T		'06/9/17	
				dr				engr		chr	
				9/9/06				9/7/06		9/8/06	
				appd				S. Andaman		9/11/06	
								scale X		FCJ	
										dwg no JSA 92456	
										sheet 1 of 1 size A4	
										type Product Customer Drawing	
sheet index		revision sheet		AB 1						Rev. AB	

SC-SFV01 JSA92450 form: A4

RECOMMENDED CABLE (FFC)

n : NO. OF CONTACTS



KIND OF FFC (NOTE3)	DIMENSIONAL TOLERANCE			
	a	b	c	d
1	±0.07	±0.04	±0.05	±0.02
2	±0.1	±0.03	±0.03	±0.025

PT. NO.	PARTS NAME	MATERIAL	NOTE
1	INSULATOR	FLAME RESISTING POLYESTER OR EQUAL	_____
2	CONDUCTOR	COPPER FOIL:THICKNESS 35 OR 50 μm	PLATING: TIN OR SOLDER 1 μm MIN.
3	SUPPORTING TAPE	FLAME RESISTING POLYESTER OR EQUAL	_____

NOTES

1. NO BURR AT EACH PORTION.
2. NO PEELING IN COMMON USE.
3. EITHER KIND1 OR KIND2 OF FFC CAN ACCEPT DIMENSIONAL TOLERANCE a,b,c AND d.

mat'l. code				surface ISO 1302 ✓		tolerance ISO 406 ISO 1101		projection		product family 58EF			
ltr	ecn no	dr	date	tolerances unless otherwise specified						title			
1	—	S.I	'93/9/9	angles		linear		scale X		RECOMMENDED CABLE (Cat. No. : SFV__R-1/2ST__)			
2	—	M.H	'94/12/8							dwg no sheet 1 of 1 size			
AA	J03-0196	H.T	'03/5/1							JSA 92457 A4			
AB	J06-0372	H.T	'06/9/7	dr	<i>[Signature]</i>	11/27/06			type Product Customer Drawing				
AC	J06-0499	H.T	'06/11/27	enr	<i>[Signature]</i>	11/27/06							
				chr	<i>[Signature]</i>	11/27/06							
				appd	<i>[Signature]</i>	11/28/06							
sheet index	revision sheet	AC	1							Rev. AC			

SC-SFV01 JSA92450 form: A4

X-ON Electronics

Largest Supplier of Electrical and Electronic Components

Click to view similar products for [Amphenol manufacturer](#):

Other Similar products are found below :

[PT01SE-16-8P\(027\)](#) [PT01SE-16-8P\(476\)](#) [CTV06RW-11-2JB-LC](#) [97-3108A-22-14P](#) [10-474017-10P](#) [MS27473P14B18S](#) [TV06RW-25-90AE](#)
[CTVS06RF-25-46PB-LC](#) [PT02E10-2PW](#) [PT02E10-2PX](#) [97-3106A18-3PX-958](#) [97-3106A18-3PY-958](#) [PT06J20-24SW](#) [TV06RL-13-35AD](#)
[TV06RL-13-98BD](#) [TV06RW-25-46AE](#) [TV06RL-13-35SD-LC](#) [TV06RL-13-35SD](#) [TV06RL-13-98SD-LC](#) [TV06RL-13-98SD](#) [TVP00RW-23-](#)
[53AD](#) [PT02E10-2PW-025](#) [100-007-213-002-001](#) [2M805-002-16NF23-12PA](#) [97-3108B16S-5PW-417](#) [97-3108B16S-5PY-417](#) [CS-](#)
[DSDMDB37MF-025](#) [97-3108B16S-5PZ-417](#) [GTC02R32-17S-025-RDS](#) [PT06SE2041P](#) [CF-5A9013-04N](#) [CF-6A4615-06N](#) [GTC02R32-17S-](#)
[025-RDS-LC](#) [GTC02R32-17S-025-LC](#) [PT06SE-24-61P\(LC\)](#) [SP28W1F](#) [TV07DT-25-37P](#) [TV07DT-25-37JN-LC](#) [TV07DT-25-37S](#) [TV07DT-](#)
[25-37S-LC](#) [TV07DT-25-46P-LC](#) [97-3101A20-21P-958](#) [TV07DT-25-90P-LC](#) [TV07DT-25-46A](#) [TV07DT-25-37P-LC](#) [GTS08-36-22PZ-025-](#)
[B30](#) [PT00SP2241P](#) [CTVPS00RF-15-15AC](#) [LJT06RT-15-35PB\(023\)](#) [TVS07RF-15-15AB](#)