



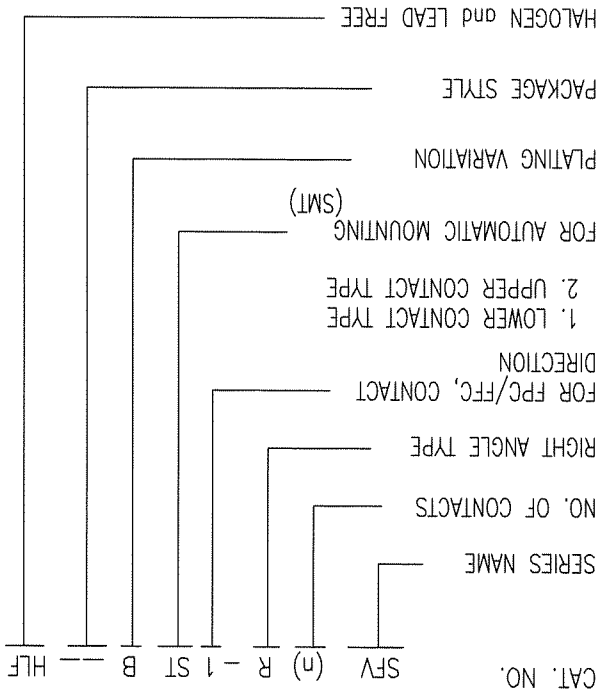
sheet index	revision	sheet
sheet	revision	sheet
dr	engr	chr
2011-3-8	2011-3-8	2011-3-8
appd		
type Product Customer Drawing		
dwg no 10117738		
sheet 2 of 9 size A4		
title		
CAT. NO. TABLE FOR 0.5 mm CONTACT SPACING CONNECTOR (Cat. No. : SFV__R-1/2STB__HLF)		
product family		
58EF		
CODE JP		
projection		
tolerance		
ISO 1302		
ISO 406		
ISO 1101		
tolerances unless otherwise specified		
angles		
linear		
mm		
scale		
X		
Ltr		
ecn no		
dr		
date		
surface		
ISO 1302		
tolerance		
ISO 406		
ISO 1101		
tolerances unless otherwise specified		
mat'l. code		

Copyright FCI.

FCIconnect.com



CAT. NO.	SFV	(n)	R	-1	ST	B	HLF
4	SFV4R-1/2STB_HLF	7.5	5.9	1.5	2.7		
5	SFV5R-1/2STB_HLF	8.0	6.4	2.0	3.2		
6	SFV6R-1/2STB_HLF	8.5	6.9	2.5	3.7		
7	SFV7R-1/2STB_HLF	9.0	7.4	3.0	4.2		
8	SFV8R-1/2STB_HLF	9.5	7.9	3.5	4.7		
9	SFV9R-1/2STB_HLF	10.0	8.4	4.0	5.2		
10	SFV10R-1/2STB_HLF	10.5	8.9	4.5	5.7		
11	SFV11R-1/2STB_HLF	11.0	9.4	5.0	6.2		
12	SFV12R-1/2STB_HLF	11.5	9.9	5.5	6.7		
13	SFV13R-1/2STB_HLF	12.0	10.4	6.0	7.2		
14	SFV14R-1/2STB_HLF	12.5	10.9	6.5	7.7		
15	SFV15R-1/2STB_HLF	13.0	11.4	7.0	8.2		
16	SFV16R-1/2STB_HLF	13.5	11.9	7.5	8.7		
17	SFV17R-1/2STB_HLF	14.0	12.4	8.0	9.2		
18	SFV18R-1/2STB_HLF	14.5	12.9	8.5	9.7		
19	SFV19R-1/2STB_HLF	15.0	13.4	9.0	10.2		
20	SFV20R-1/2STB_HLF	15.5	13.9	9.5	10.7		
21	SFV21R-1/2STB_HLF	16.0	14.4	10.0	11.2		
22	SFV22R-1/2STB_HLF	16.5	14.9	10.5	11.7		
23	SFV23R-1/2STB_HLF	17.0	15.4	11.0	12.2		
24	SFV24R-1/2STB_HLF	17.5	15.9	11.5	12.7		
25	SFV25R-1/2STB_HLF	18.0	16.4	12.0	13.2		
26	SFV26R-1/2STB_HLF	18.5	16.9	12.5	13.7		
27	SFV27R-1/2STB_HLF	19.0	17.4	13.0	14.2		
28	SFV28R-1/2STB_HLF	19.5	17.9	13.5	14.7		
29	SFV29R-1/2STB_HLF	20.0	18.4	14.0	15.2		
30	SFV30R-1/2STB_HLF	20.5	18.9	14.5	15.7		
31	SFV31R-1/2STB_HLF	21.0	19.4	15.0	16.2		
32	SFV32R-1/2STB_HLF	21.5	19.9	15.5	16.7		
33	SFV33R-1/2STB_HLF	22.0	20.4	16.0	17.2		
34	SFV34R-1/2STB_HLF	22.5	20.9	16.5	17.7		
35	SFV35R-1/2STB_HLF	23.0	21.4	17.0	18.2		



NOTES  
 1. THIS PRODUCT IS THE CONNECTOR USED FOR FPC AND COPES WITH AUTOMATIC MOUNTING (SMT).  
 2. SEE PART DRAWINGS FOR DIMENSIONS A~D.

CAT. NO. & DIMENSIONS

DIMENSIONS (NOTE2)

CAT. NO. SFV (n) R -1 ST B HLF

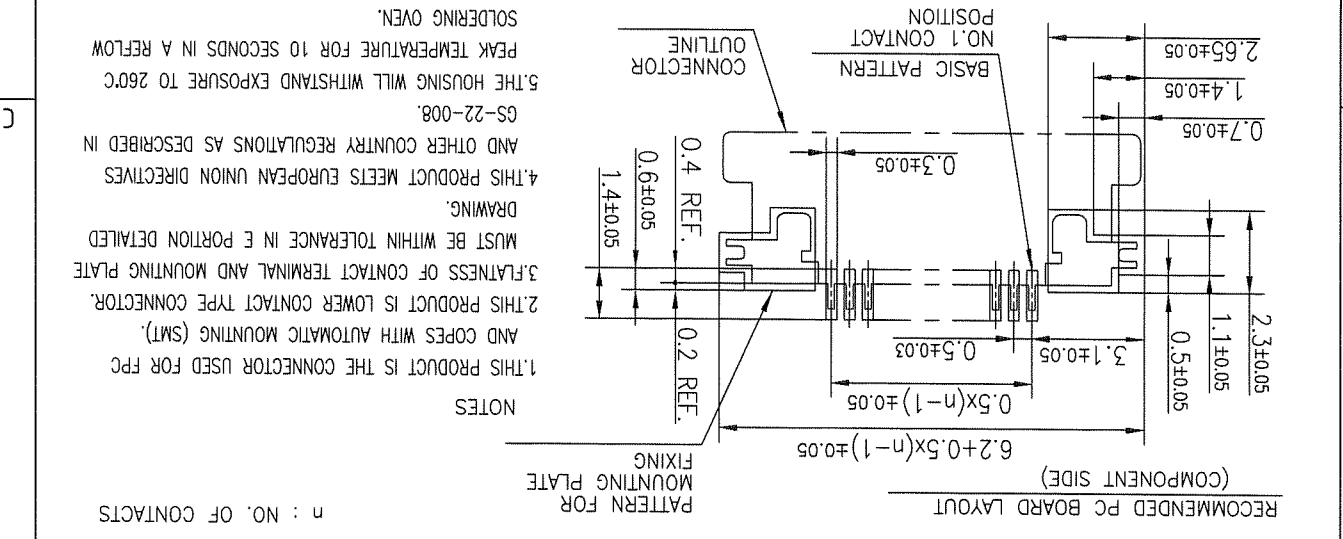
B

A

C

D

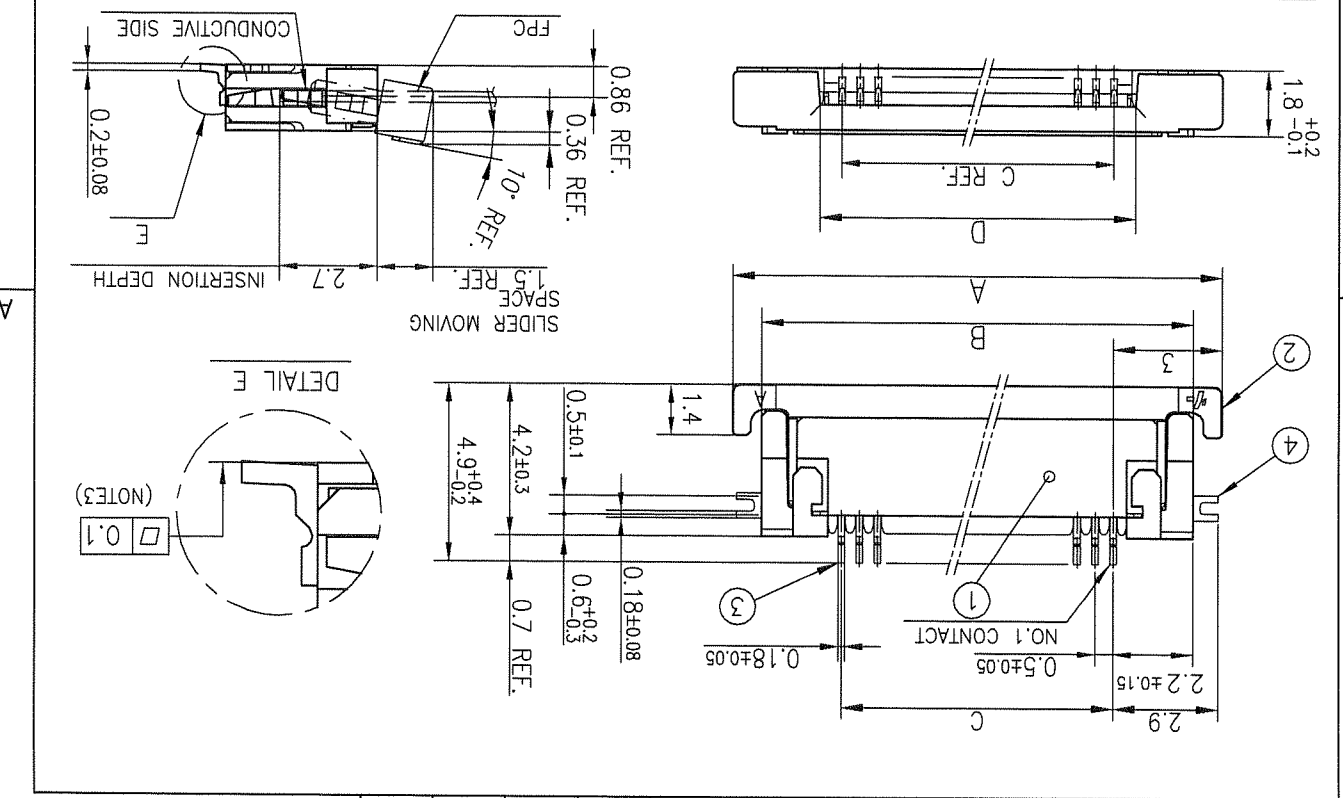
sheet	revision	sheet	index
Rev. A			
type Product Customer Drawing		FCI	
dwg no 10117738		A4	
sheet 3 of 9 size		scale X	
title CONNECTOR USED FOR FPC WITH 0.5 mm CONTACT SPACING (Cat No. : SFV-R-1STB_HLF)		linear	
product family 58EF		angles	
CODE JP		tolerances unless otherwise specified	
projection		surface	
ISO 1101		ISO 1302	
ISO 406		ISO 1101	
date		dr	
ecn no		date	
mat'l. code		date	



RECOMMENDED PC BOARD LAYOUT (COMPONENT SIDE)

n : NO. OF CONTACTS

PT. NO.	PARTS NAME	MATERIAL	Q'TY	NOTE
1	HOUSING	13~35pin : LCP RESIN GLASS REINFORCED (UL94V-0) 4~12pin : POLYAMIDE RESIN GLASS REINFORCED (UL94V-0)	1	COLOR : BLACK (HALOGEN FREE)
2	SLIDER	PPS RESIN GLASS REINFORCED (UL94V-0)	1	COLOR : BLACK (HALOGEN FREE)
3	CONTACT	PHOSPHOR BRONZE	n	PLATING : GOLD
4	MOUNTING PLATE	PHOSPHOR BRONZE	2	PLATING : LEAD FREE



2	1
---	---

Copyright FCI.



FCIconnect.com

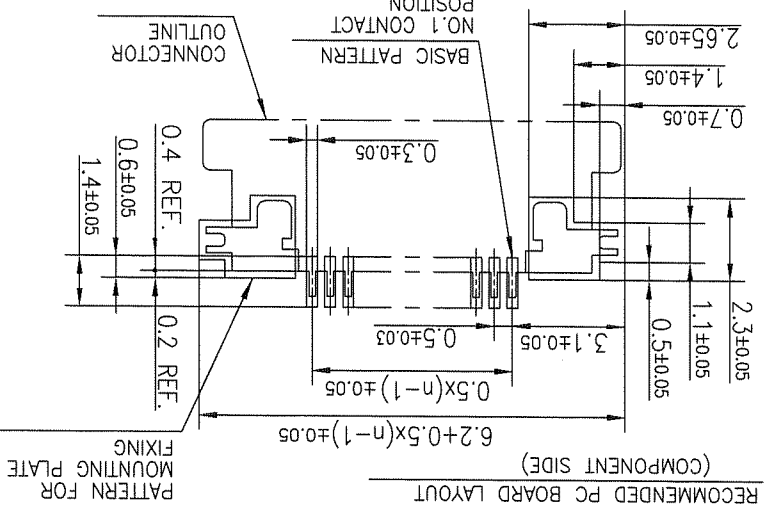
Copyright FCI

FCIconnect.com

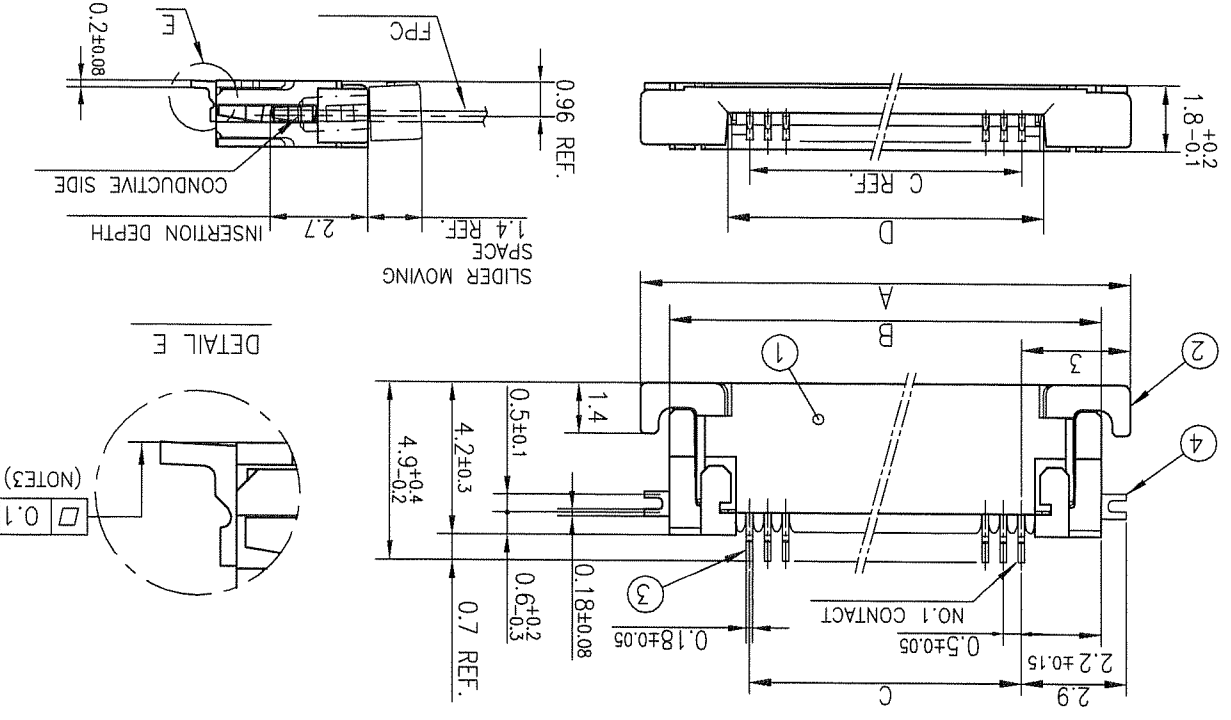


sheet	revision	sheet	index
1	1	1	1
dr	2011-3-8	engr	2011-3-8
chr	2011-3-8	appd	2011-3-8
type Product Customer Drawing			
dwg no 10117738			
sheet 4 of 9 size A4			
title CONNECTOR USED FOR FPC WITH 0.5 mm CONTACT SPACING (Cat. No.: SFV-R-2STB_HLF)			
scale X			
mm			
angles linear ±0.2			
tolerances unless otherwise specified			
projection			
mat'l. code surface ISO 1302 ISO 406 ISO 1101			
product family 58EF			
CODE JP			

NOTES  
 1. THIS PRODUCT IS THE CONNECTOR USED FOR FPC AND COPE WITH AUTOMATIC MOUNTING (SMT).  
 2. THIS PRODUCT IS UPPER CONTACT TYPE CONNECTOR. FLATNESS OF CONTACT TERMINAL AND MOUNTING PLATE MUST BE WITHIN TOLERANCE IN E PORTION DETAILED DRAWING.  
 3. THIS PRODUCT MEETS EUROPEAN UNION DIRECTIVES AND OTHER COUNTRY REGULATIONS AS DESCRIBED IN GS-22-008.  
 4. THE HOUSING WILL WITHSTAND EXPOSURE TO 260°C PEAK TEMPERATURE FOR 10 SECONDS IN A REFLOW SOLDERING OVEN.



PT. NO.	PARTS NAME	MATERIAL	Q'TY	NOTE
1	HOUSING	13~35pin : LCP RESIN GLASS REINFORCED (UL94V-0) 4~12pin : POLYAMIDE RESIN GLASS REINFORCED (UL94V-0)	1	COLOR : BLACK (HALOGEN FREE)
2	SLIDER	PPS RESIN GLASS REINFORCED (UL94V-0)	1	COLOR : BLACK (HALOGEN FREE)
3	CONTACT	PHOSPHOR BRONZE	n	PLATING : GOLD
4	MOUNTING PLATE	PHOSPHOR BRONZE	2	PLATING : LEAD FREE



2 1 1 2

mat'l. code	surface tolerance	ISO 1302	tolerance unless otherwise specified	projection	product family	58EF	CODE JP
ltr ecn no	date	ISO 1101	ISO 406	mm	title		
angles	linear			mm	CAT. NO. TABLE FOR PLASTIC TAPE PACKAGED 0.5 mm CONTACT SPACING CONNECTOR (Cat. No. : SFV--R-1/2STBESHLF)		
sheet	revision			scale	type	Product Customer Drawing	
sheet index					dwg no	10117738	sheet 5 of 9 size A4

Copyright FCI.

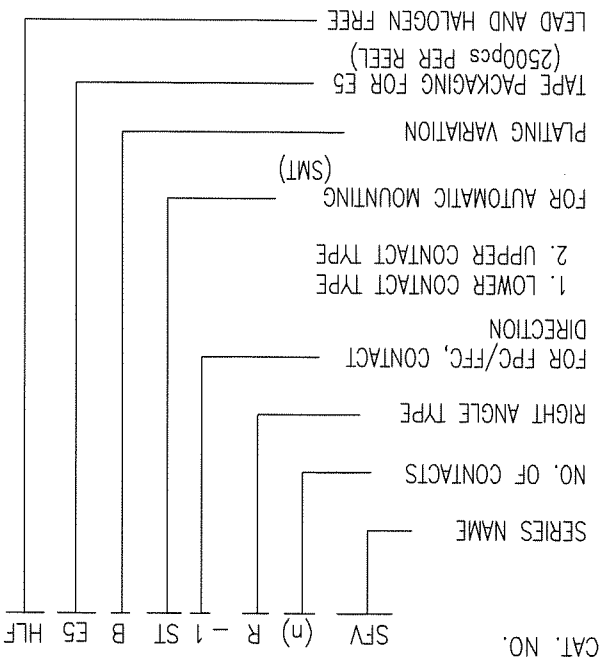
FCIconnect.com



CAT. NO. & DIMENSIONS	CAT. NO.	NO. OF CONTACTS (n)	DIMENSIONS (NOTES)
SFV4R-1/2STBESHLF	22.4	16	
SFV5R-1/2STBESHLF	22.4	16	
SFV6R-1/2STBESHLF	22.4	16	
SFV7R-1/2STBESHLF	30.4	24	
SFV8R-1/2STBESHLF	30.4	24	
SFV9R-1/2STBESHLF	30.4	24	
SFV10R-1/2STBESHLF	30.4	24	
SFV11R-1/2STBESHLF	30.4	24	
SFV12R-1/2STBESHLF	30.4	24	
SFV13R-1/2STBESHLF	30.4	24	
SFV14R-1/2STBESHLF	30.4	24	
SFV15R-1/2STBESHLF	30.4	24	
SFV16R-1/2STBESHLF	30.4	24	
SFV17R-1/2STBESHLF	30.4	24	
SFV18R-1/2STBESHLF	30.4	24	
SFV19R-1/2STBESHLF	30.4	24	
SFV20R-1/2STBESHLF	30.4	24	
SFV21R-1/2STBESHLF	30.4	24	
SFV22R-1/2STBESHLF	30.4	24	
SFV23R-1/2STBESHLF	38.4	32	
SFV24R-1/2STBESHLF	38.4	32	
SFV25R-1/2STBESHLF	38.4	32	
SFV26R-1/2STBESHLF	38.4	32	
SFV27R-1/2STBESHLF	38.4	32	
SFV28R-1/2STBESHLF	38.4	32	
SFV29R-1/2STBESHLF	38.4	32	
SFV30R-1/2STBESHLF	38.4	32	
SFV31R-1/2STBESHLF	50.4	44	
SFV32R-1/2STBESHLF	50.4	44	
SFV33R-1/2STBESHLF	50.4	44	
SFV34R-1/2STBESHLF	50.4	44	
SFV35R-1/2STBESHLF	50.4	44	

NOTES

1. THIS PRODUCT IS THE CONNECTOR USED FOR FPC AND COPES WITH AUTOMATIC MOUNTING (SMT).
2. THIS CATALOG NO. INDICATES PLASTIC TAPE PACKAGED CONNECTOR.
3. SEE PART DRAWINGS FOR DIMENSIONS F~H.



A

B

C

C

B

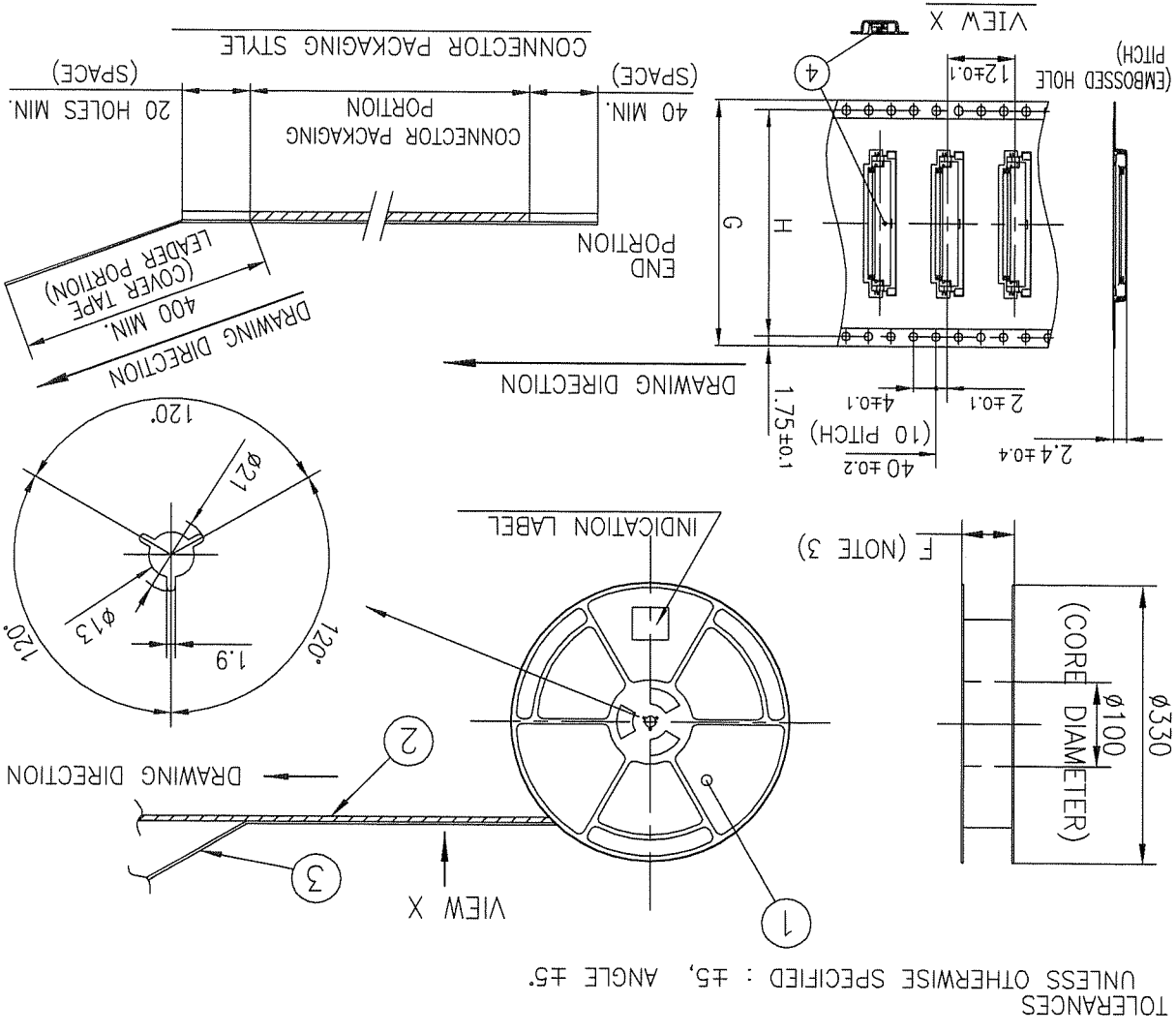
A

mat'l. code	surface	ISO 1302	tolerance unless otherwise specified	projection	product family	58EF	CODE JP
ltr ecn no	date	ISO 1302	tolerance unless otherwise specified	projection	product family	58EF	CODE JP
angles	linear	mm	mm	mm	PLASTIC TAPE PACKAGED	0.5 mm CONTACT SPACING CONNECTOR	(Cat. No. : SFV_R-1STB5HLF)
sheet	revision	sheet	revision	sheet	revision	sheet	revision

1. THIS IS PLASTIC TAPE PACKAGED CONNECTOR USED FOR FCC AND COPS WITH AUTOMATIC MOUNTING (SMT).  
 2. SEE JIS C 0806 (PACKING OF ELECTRONIC COMPONENTS ON CONTINUOUS TAPES (SURFACE MOUNTING DEVICES)) FOR SHAPE AND DIMENSIONS OF PLASTIC (EMBOSS) TAPE AND REEL.  
 3. F DIMENSION IS PORTION OF THE CORE.

NOTES

Pt. NO.	PARTS NAME	CAT. NO.	MATERIAL	Q'TY	NOTE
1	REEL	---	POLYSTYRENE	1	COLOR : BLACK
2	PLASTIC (EMBOSS) TAPE	---	A-PET	---	COLOR : TRANSPARENCY
3	COVER	---	POLYESTER	---	COLOR : TRANSPARENCY
4	CONNECTOR	SFV_R-1STB_HLF	SEE ATTACHED DWG.	2500	LOWER CONTACT TYPE



TOLERANCES UNLESS OTHERWISE SPECIFIED :  $\pm 5$ , ANGLE  $\pm 5$ .

Copyright FCI.

FCIconnect.com



Copyright FCI.

FCIconnect.com

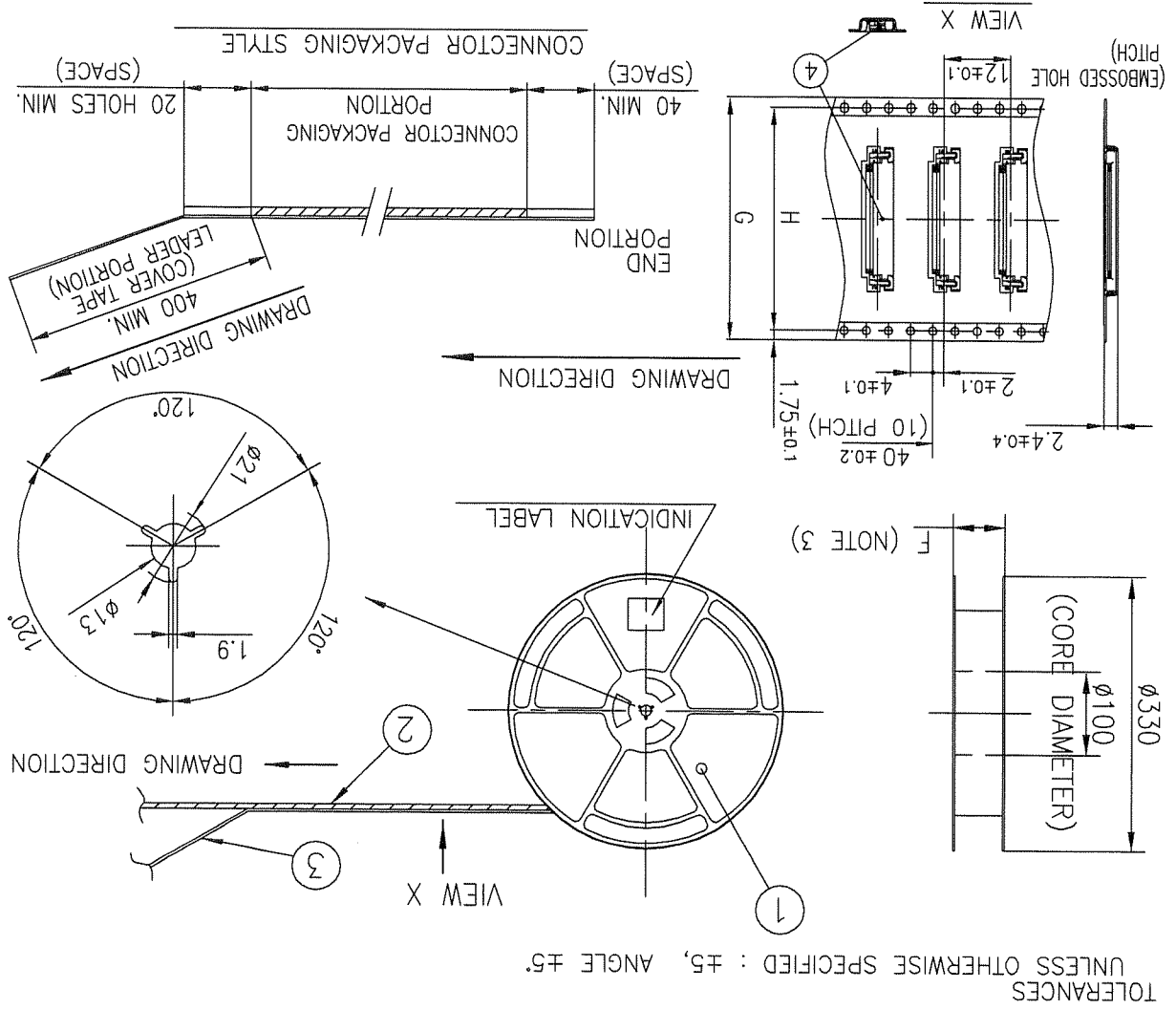


Form: A4

sheet revision		sheet		index	
1	1	1	1	1	1
dr	eng	chr	appd	type Product Customer Drawing	
2013-8	2013-8	2013-8	2013-8	10117738	
tolerances unless otherwise specified		linear		scale X	
ISO 1302		mm		0.5 mm CONTACT SPACING CONNECTOR	
ISO 406		mm		PLASTIC TAPE PACKAGED	
ISO 1101		mm		(Cat. No. : SFV_R-2STB5HLF)	
surface		angles		product family	
tolerance		projection		58EF	
JP		CODE		58EF	

NOTES  
 1. THIS IS PLASTIC TAPE PACKAGED CONNECTOR USED FOR FPC AND COPELS WITH AUTOMATIC MOUNTING (SMT).  
 2. SEE JIS C 0806 (PACKING OF ELECTRONIC COMPONENTS ON CONTINUOUS TAPES (SURFACE MOUNTING DEVICES)) FOR SHAPE AND DIMENSIONS OF PLASTIC (EMBOSS) TAPE AND REEL.  
 3. F DIMENSION IS PORTION OF THE CORE.

PT. NO.	PARTS NAME	CAT. NO.	MATERIAL	Q'TY	NOTE
1	REEL		POLYSTYRENE	1	COLOR : BLACK
2	PLASTIC (EMBOSS) TAPE		A-PET		COLOR : TRANSPARENCY
3	COVER		POLYESTER		COLOR : TRANSPARENCY
4	CONNECTOR	SFV_R-2STB_HLF	SEE ATTACHED DWG.	2500	UPPER CONTACT TYPE



TOLERANCES UNLESS OTHERWISE SPECIFIED : ±5, ANGLE ±5.

sheet	revision	sheet	index
appd	2011-3-8		
chr	2011-3-8		
engr	2011-3-8		
dr	2011-3-8		
type Product Customer Drawing		Rev. A	
dwg no 10117738		sheet 8 of 9 size A4	
title RECOMMENDED CABLE (Cat. No. : SFV--R-1/2ST--LF)		scale X	
product family 58EF		projection	
code		surface tolerance unless otherwise specified	
ISO 1302		ISO 1101	
ISO 406		ISO 1101	
date		date	
ecn no		dr	
A		angles	
linear		mm	
product family 58EF		CODE JP	

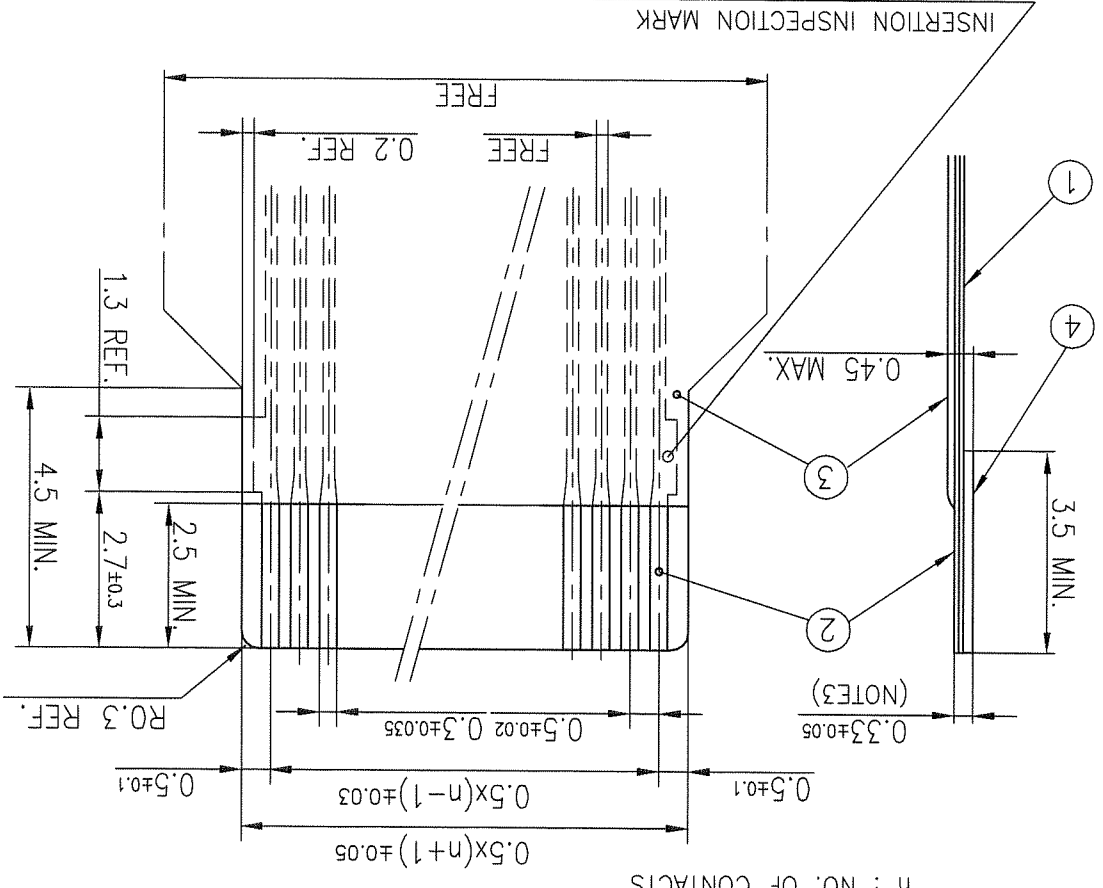
Copyright FCI.



NOTES

1. NO BURR AT EACH PORTION.
2. NO PEELING IN COMMON USE.
3. TOTAL THICKNESS LIMIT OF EACH MATERIAL (INCLUDING ADHESIVE AGENT) IS SPECIFIED.

PT. NO.	PARTS NAME	MATERIAL	THICKNESS (um)
1	BASE FILM	POLYIMIDE OR POLYESTER OR EQUAL	25
2	CONDUCTOR	COPPER FOIL(PLATING : GOLD )	35
3	OVERLAY	POLYIMIDE OR POLYESTER OR EQUAL	—
4	SUPPORTING TAPE	POLYESTER OR POLYIMIDE OR EQUAL	188



RECOMMENDED CABLE (FCP)

n : NO. OF CONTACTS



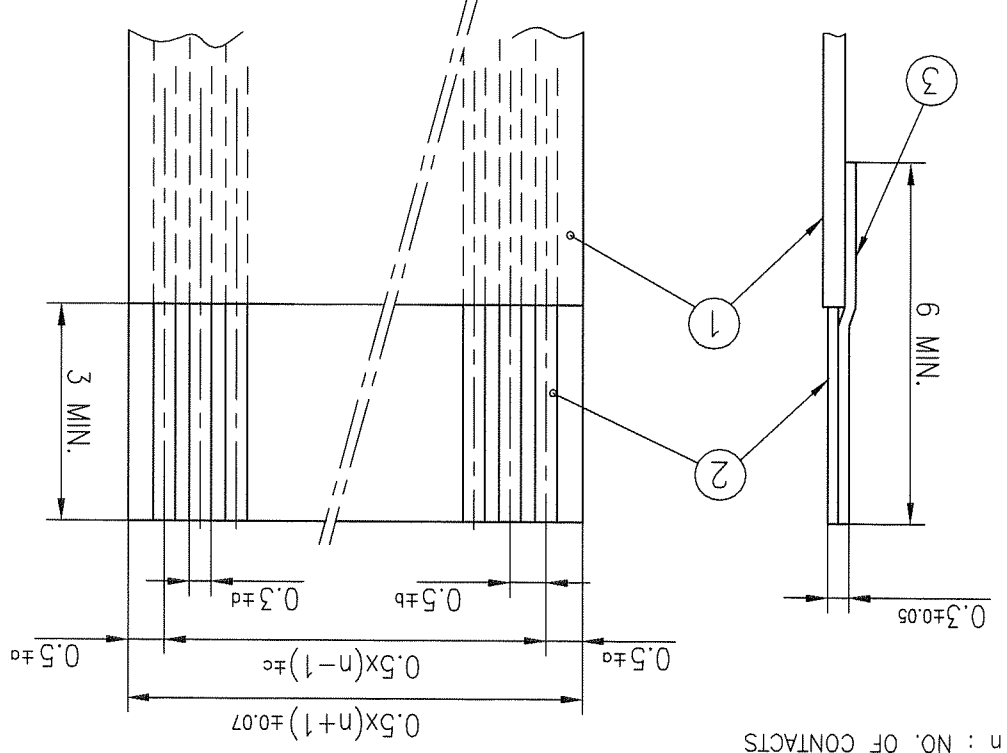
sheet	revision	sheet	index
dr	engr	chr	appd
2011-3-8	2011-3-8	2011-3-8	2011-3-8
1	1	1	1
mat'l. code	surface	tolerance	projection
	ISO 1302	ISO 406	ISO 1101
	tolerances unless otherwise specified		
ltr ecn no	dr	date	
angles	linear	mm	scale
			X
RECOMMENDED CABLE			
(Cat. No. : SFV_R-1/2ST_LF)			
product family	58EF	CODE	JP
product family	58EF	CODE	JP
dwg no	10117738	sheet 9 of 9 size	A4
type	Product Customer Drawing	Rev.	A

NOTES

1. NO BURR AT EACH PORTION.
2. NO PEELING IN COMMON USE.
3. EITHER KIND1 OR KIND2 OF FCC CAN ACCEPT DIMENSIONAL TOLERANCE a,b,c AND d.

PT. NO.	PARTS NAME	MATERIAL
1	INSULATOR	FLAME RESISTING POLYESTER OR EQUIVALENT
2	CONDUCTOR	COPPER FOIL (PLATING : GOLD)
3	SUPPORTING TAPE	FLAME RESISTING POLYESTER OR EQUIVALENT

KIND OF FCC (NOTES)	DIMENSIONAL TOLERANCE			
	a	b	c	d
1	±0.07	±0.04	±0.05	±0.02
2	±0.1	±0.03	±0.03	±0.025



RECOMMENDED CABLE (FCC)

Copyright FCI.

FCIconnect.com



1 2 A B C D

## X-ON Electronics

Largest Supplier of Electrical and Electronic Components

*Click to view similar products for [FFC & FPC Connectors](#) category:*

*Click to view products by [Amphenol](#) manufacturer:*

Other Similar products are found below :

[HFW11R-1STE1H1LF](#) [FH29B-100S-0.2SHW\(99\)](#) [FA5S008HP1](#) [FH29B-120S-0.2SHW\(99\)](#) [FH29B-80S-0.2SHW\(99\)](#) [FHS-16](#) [FPH-2022G](#)  
[52610-1075](#) [52610-1275](#) [52610-1934](#) [XF3M\(1\)-1415-1B-R100](#) [501864-3091-TR225](#) [0525594033](#) [086210010340800](#) [086222026001800](#)  
[52271-2869-CUT-TAPE](#) [62674-201121DLF](#) [62684-36210E9ALF](#) [52610-1675](#) [52746-1671-TR250](#) [10051922-2810EHLF](#) [6-520415-9](#)  
[BD021-09A-A1-0350-0200-0550-LD](#) [SFV6R-1STE9HLF](#) [XF3M-2915-1B-R100](#) [1658549-1](#) [62674-221121ALF](#) [46214008010800](#)  
[046298003000883](#) [151660622](#) [842-816-2630-035](#) [AYF530665TA](#) [AYF351525](#) [046296011930846+](#) [AYF352325A](#) [046254020000800+](#)  
[FH19C-13S-0.5SH\(99\)](#) [FH39J-51S-0.3SHW\(99\)](#) [AYF355125A](#) [AYF530365TA](#) [FH29B-44S-0.2SHW\(99\)](#) [SFW5R-2STAE9LF](#) [AYF351125A](#)  
[AYF350725A](#) [62684-502100AHLF](#) [FH39-61S-0.3SHW\(99\)](#) [AYF414035A](#) [10064555-172520HLF](#) [AYF212335A](#) [504754-2500](#)