

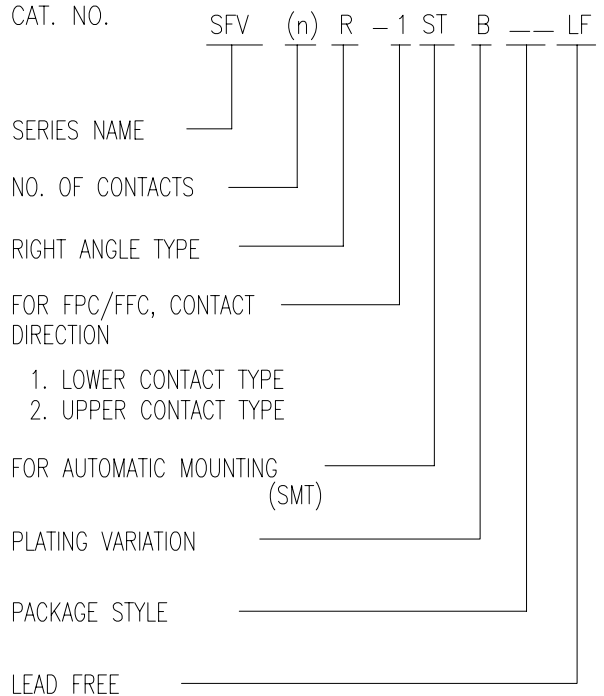
List of "SFV__R-1/2STBE9LF" customer document

DOCUMENT NO.	LIST
10101543(SHEET1)	CAT.NO.TABLE FOR 0.5mm CONTACT SPACING CONNECTOR (SFV__R-1/2STB_LF)
10101543(SHEET2)	CONNECTOR USED FOR FPC/FFC WITH 0.5mm CONTACT SPACING (SFV__R-1STB_LF)
10101543(SHEET3)	CONNECTOR USED FOR FPC/FFC WITH 0.5mm CONTACT SPACING (SFV__R-2STB_LF)
10101543(SHEET4)	CAT.NO.TABLE FOR PLASTIC TAPE PACKAGED 0.5mm CONTACT SPACING CONNECTOR (SFV__R-1/2STBE9LF)
10101543(SHEET5)	PLASTIC TAPE PACKAGED 0.5mm CONTACT SPACING CONNECTOR (SFV__R-1STBE9LF)
10101543(SHEET6)	PLASTIC TAPE PACKAGED 0.5mm CONTACT SPACING CONNECTOR (SFV__R-2STBE9LF)
10101543(SHEET7)	RECOMMENDED CABLE (FPC) (SFV__R-1/2STB__LF)
10101543(SHEET8)	RECOMMENDED CABLE (FFC) (SFV__R-1/2STB__LF)
SC-SFV06	PRODUCT SPECIFICATION
BJM-SFV101	HANDLING PROCEDURES

mat'l. code				surface 58 / tolerance ISO 1302 <input checked="" type="checkbox"/> ISO 406 <input type="checkbox"/> ISO 1101				projection		product family 58EF							
ltr A				ecn no S09-0159				dr DGOH		date 09-05-15							
tolerances unless otherwise specified				angles linear				mm		title 0.5mm SPACING FPC/FFC CONNECTOR DOCUMENT LIST (Cat. No. : SFV__R-1/2STBE9LF)							
dr DENNIS GOH				09-05-15				engr DENNIS GOH		09-05-15		dwg no 10101543		sheet 1 of 9		size A4	
chr DENNIS GOH				09-05-15				appd JOEY NG		09-05-15				type Product Customer Drawing			
sheet index		revision sheet		A	A	A	A	A	A	A	A	A	A	A	A	A	Rev. A

CAT. NO. & DIMENSIONS

NO. OF CONTACTS (n)	CAT. NO.	DIMENSIONS (NOTE2)			
		A ± 0.2	B ± 0.2	C ± 0.1	D ± 0.1
4	SFV4R-1/2STB__LF	7.5	5.9	1.5	2.7
5	SFV5R-1/2STB__LF	8.0	6.4	2.0	3.2
6	SFV6R-1/2STB__LF	8.5	6.9	2.5	3.7
7	SFV7R-1/2STB__LF	9.0	7.4	3.0	4.2
8	SFV8R-1/2STB__LF	9.5	7.9	3.5	4.7
9	SFV9R-1/2STB__LF	10.0	8.4	4.0	5.2
10	SFV10R-1/2STB__LF	10.5	8.9	4.5	5.7
11	SFV11R-1/2STB__LF	11.0	9.4	5.0	6.2
12	SFV12R-1/2STB__LF	11.5	9.9	5.5	6.7
13	SFV13R-1/2STB__LF	12.0	10.4	6.0	7.2
14	SFV14R-1/2STB__LF	12.5	10.9	6.5	7.7
15	SFV15R-1/2STB__LF	13.0	11.4	7.0	8.2
16	SFV16R-1/2STB__LF	13.5	11.9	7.5	8.7
17	SFV17R-1/2STB__LF	14.0	12.4	8.0	9.2
18	SFV18R-1/2STB__LF	14.5	12.9	8.5	9.7
19	SFV19R-1/2STB__LF	15.0	13.4	9.0	10.2
20	SFV20R-1/2STB__LF	15.5	13.9	9.5	10.7
21	SFV21R-1/2STB__LF	16.0	14.4	10.0	11.2
22	SFV22R-1/2STB__LF	16.5	14.9	10.5	11.7
23	SFV23R-1/2STB__LF	17.0	15.4	11.0	12.2
24	SFV24R-1/2STB__LF	17.5	15.9	11.5	12.7
25	SFV25R-1/2STB__LF	18.0	16.4	12.0	13.2
26	SFV26R-1/2STB__LF	18.5	16.9	12.5	13.7
27	SFV27R-1/2STB__LF	19.0	17.4	13.0	14.2
28	SFV28R-1/2STB__LF	19.5	17.9	13.5	14.7
29	SFV29R-1/2STB__LF	20.0	18.4	14.0	15.2
30	SFV30R-1/2STB__LF	20.5	18.9	14.5	15.7
31	SFV31R-1/2STB__LF	21.0	19.4	15.0	16.2
32	SFV32R-1/2STB__LF	21.5	19.9	15.5	16.7
33	SFV33R-1/2STB__LF	22.0	20.4	16.0	17.2
34	SFV34R-1/2STB__LF	22.5	20.9	16.5	17.7
35	SFV35R-1/2STB__LF	23.0	21.4	17.0	18.2



NOTES

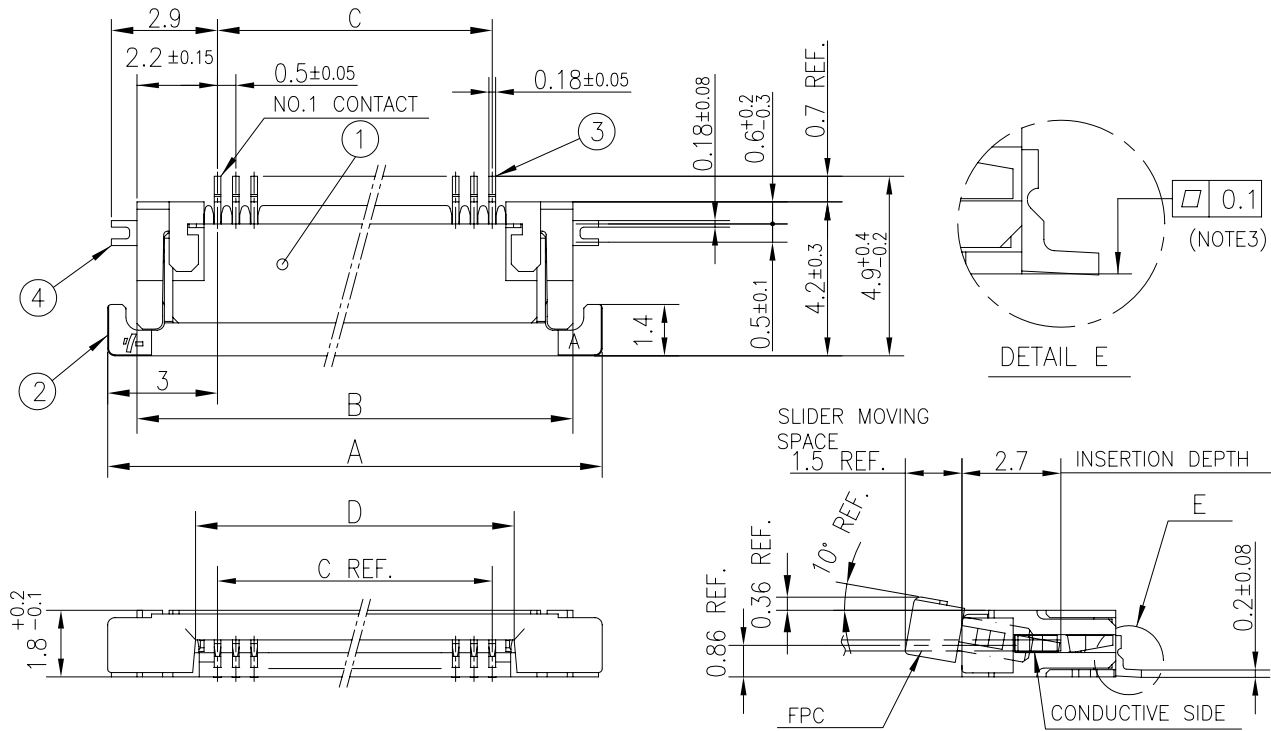
1. THIS PRODUCT IS THE CONNECTOR USED FOR FPC AND COPES WITH AUTOMATIC MOUNTING (SMT).
2. SEE PART DRAWINGS FOR DIMENSIONS A~D.



FCIconnect.com

Copyright FCI.

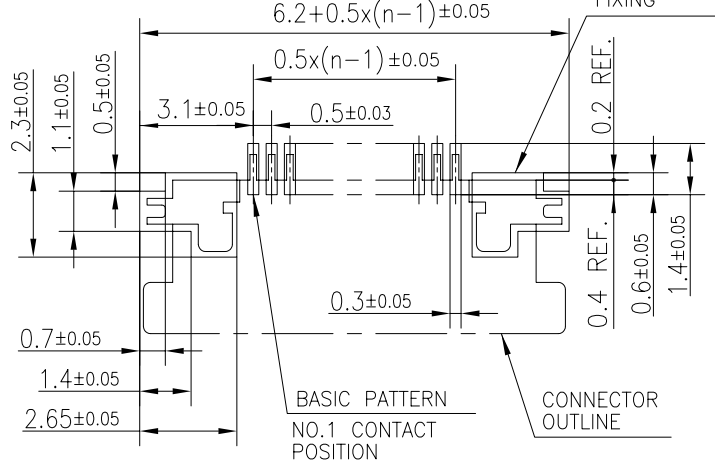
mat'l. code				surface ISO 1302 <input checked="" type="checkbox"/>		tolerance ISO 406 <input checked="" type="checkbox"/>		projection		product family 58EF			
ltr A				ecn no		dr		date		title CAT. NO. TABLE FOR 0.5 mm CONTACT SPACING CONNECTOR (Cat. No. : SFV__R-1/2STB__LF)			
				angles		linear		mm		scale \times		dwg no 10101543	
				dr DENNIS GOH		09-05-15				sheet 2 of 9		size A4	
				enr DENNIS GOH		09-05-15				type Product Customer Drawing			
				chr DENNIS GOH		09-05-15							
				appd JOEY NG		09-05-15							
sheet index		revision sheet										Rev. A	



PT. NO.	PARTS NAME	MATERIAL	Q'TY	NOTE
1	HOUSING	POLYAMIDE RESIN GLASS REINFORCED (UL94V-0)	1	COLOR : BLACK
2	SLIDER	PPS RESIN GLASS REINFORCED (UL94V-0)	1	COLOR : BROWN
3	CONTACT	PHOSPHOR BRONZE	n	PLATING : GOLD
4	MOUNTING PLATE		2	PLATING : LEAD FREE

RECOMMENDED PC BOARD LAYOUT
(COMPONENT SIDE)

PATTERN FOR MOUNTING PLATE FIXING



n : NO. OF CONTACTS

NOTES

- 1.THIS PRODUCT IS THE CONNECTOR USED FOR FPC AND COPES WITH AUTOMATIC MOUNTING (SMT).
- 2.THIS PRODUCT IS LOWER CONTACT TYPE CONNECTOR.
- 3.FLATNESS OF CONTACT TERMINAL AND MOUNTING PLATE MUST BE WITHIN TOLERANCE IN E PORTION DETAILED DRAWING.
- 4.THIS PRODUCT MEETS EUROPEAN UNION DIRECTIVES AND OTHER COUNTRY REGULATIONS AS DESCRIBED IN GS-22-008.
- 5.THE HOUSING WILL WITHSTAND EXPOSURE TO 260°C PEAK TEMPERATURE FOR 10 SECONDS IN A REFLOW SOLDERING OVEN.

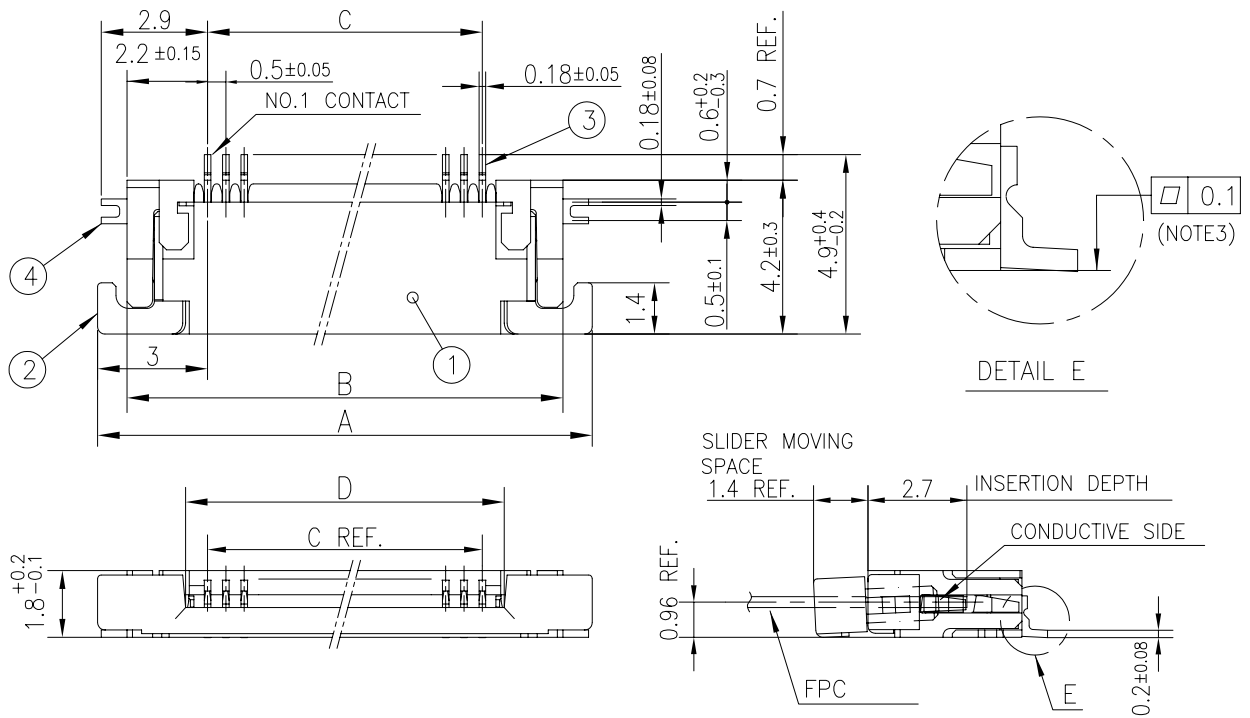
mat'l. code		surface ISO 1302		tolerance ISO 406		projection		product family 58EF	
ltr		ecn no		dr		date		title	
A								CONNECTOR USED FOR FPC WITH 0.5 mm CONTACT SPACING (Cat No. : SFV__R-1STB__LF)	
		angles		linear		mm		scale	
								sheet 3 of 9	
		dr		DENNIS GOH		09-05-15		dwg no 10101543	
		enr		DENNIS GOH		09-05-15		size A4	
		chr		DENNIS GOH		09-05-15		type Product Customer Drawing	
		appd		DENNIS GOH		09-05-15		Rev. A	
sheet index		revision sheet							



FCIconnect.com

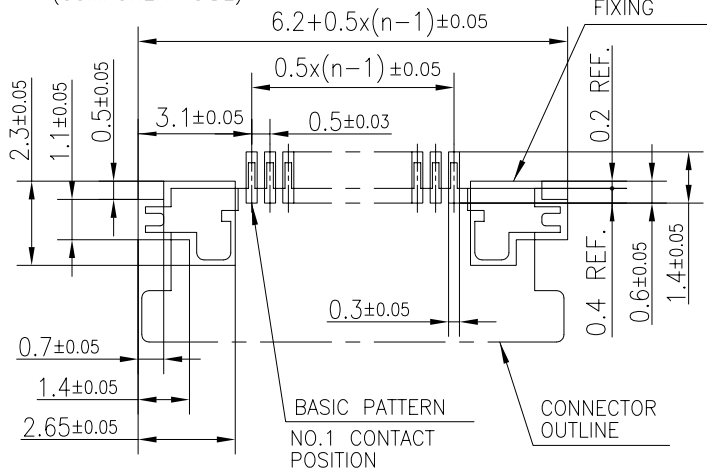
Copyright FCI.





PT. NO.	PARTS NAME	MATERIAL	Q'TY	NOTE
1	HOUSING	POLYAMIDE RESIN GLASS REINFORCED (UL94V-0)	1	COLOR : BLACK
2	SLIDER	PPS RESIN GLASS REINFORCED (UL94V-0)	1	COLOR : BROWN
3	CONTACT	PHOSPHOR BRONZE	n	PLATING : GOLD
4	MOUNTING PLATE		2	PLATING : LEAD FREE

RECOMMENDED PC BOARD LAYOUT
(COMPONENT SIDE)



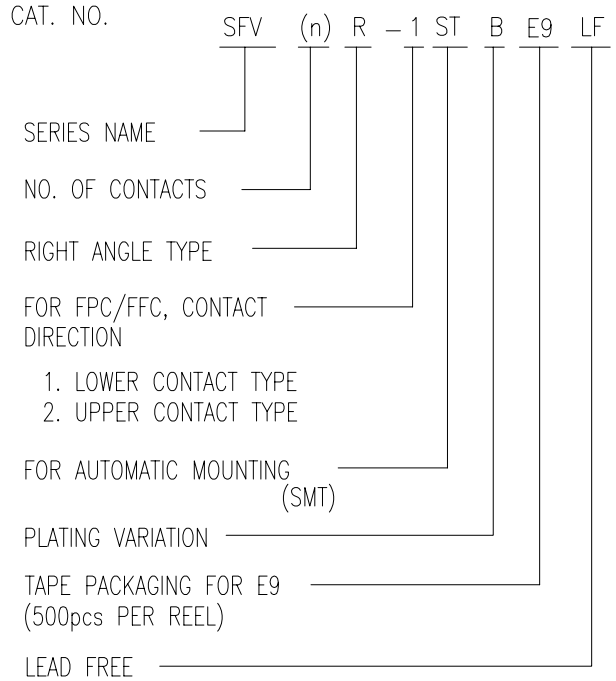
n : NO. OF CONTACTS

- NOTES
1. THIS PRODUCT IS THE CONNECTOR USED FOR FPC AND COPES WITH AUTOMATIC MOUNTING (SMT).
 2. THIS PRODUCT IS UPPER CONTACT TYPE CONNECTOR.
 3. FLATNESS OF CONTACT TERMINAL AND MOUNTING PLATE MUST BE WITHIN TOLERANCE IN E PORTION DETAILED DRAWING.
 4. THIS PRODUCT MEETS EUROPEAN UNION DIRECTIVES AND OTHER COUNTRY REGULATIONS AS DESCRIBED IN GS-22-008.
 5. THE HOUSING WILL WITHSTAND EXPOSURE TO 260°C PEAK TEMPERATURE FOR 10 SECONDS IN A REFLOW SOLDERING OVEN.

mat'l. code		surface ISO 1302 ✓		tolerance ISO 406 ISO 1101		projection		product family 58EF	
ltr	ecn no	dr	date	tolerances unless otherwise specified		mm		title	
A				±0.2		mm		CONNECTOR USED FOR FPC WITH 0.5 mm CONTACT SPACING (Cat. No. : SFV__R-2STB__LF)	
sheet index		revision sheet		linear		scale		dwg no sheet 4 of 9 size	
				DENNIS GOH 09-05-15		FCI		10101543 A4	
				DENNIS GOH 09-05-15				type Product Customer Drawing	
				DENNIS GOH 09-05-15				Rev. A	
				DENNIS GOH 09-05-15					

CAT. NO. & DIMENSIONS

NO. OF CONTACTS (n)	CAT. NO.	DIMENSIONS (NOTE3)		
		F MAX.	G ± 0.3	H ± 0.1
4	SFV4R-1/2STBE9LF	22.4	16	—
5	SFV5R-1/2STBE9LF	22.4	16	—
6	SFV6R-1/2STBE9LF	22.4	16	—
7	SFV7R-1/2STBE9LF	30.4	24	—
8	SFV8R-1/2STBE9LF	30.4	24	—
9	SFV9R-1/2STBE9LF	30.4	24	—
10	SFV10R-1/2STBE9LF	30.4	24	—
11	SFV11R-1/2STBE9LF	30.4	24	—
12	SFV12R-1/2STBE9LF	30.4	24	—
13	SFV13R-1/2STBE9LF	30.4	24	—
14	SFV14R-1/2STBE9LF	30.4	24	—
15	SFV15R-1/2STBE9LF	30.4	24	—
16	SFV16R-1/2STBE9LF	30.4	24	—
17	SFV17R-1/2STBE9LF	30.4	24	—
18	SFV18R-1/2STBE9LF	30.4	24	—
19	SFV19R-1/2STBE9LF	30.4	24	—
20	SFV20R-1/2STBE9LF	30.4	24	—
21	SFV21R-1/2STBE9LF	30.4	24	—
22	SFV22R-1/2STBE9LF	30.4	24	—
23	SFV23R-1/2STBE9LF	38.4	32	28.4
24	SFV24R-1/2STBE9LF	38.4	32	28.4
25	SFV25R-1/2STBE9LF	38.4	32	28.4
26	SFV26R-1/2STBE9LF	38.4	32	28.4
27	SFV27R-1/2STBE9LF	38.4	32	28.4
28	SFV28R-1/2STBE9LF	38.4	32	28.4
29	SFV29R-1/2STBE9LF	38.4	32	28.4
30	SFV30R-1/2STBE9LF	38.4	32	28.4
31	SFV31R-1/2STBE9LF	50.4	44	40.4
32	SFV32R-1/2STBE9LF	50.4	44	40.4
33	SFV33R-1/2STBE9LF	50.4	44	40.4
34	SFV34R-1/2STBE9LF	50.4	44	40.4
35	SFV35R-1/2STBE9LF	50.4	44	40.4



NOTES

1. THIS PRODUCT IS THE CONNECTOR USED FOR FPC/FFC AND COPEs WITH AUTOMATIC MOUNTING (SMT).
2. THIS CATALOG NO. INDICATES PLASTIC TAPE PACKAGED CONNECTOR.
3. SEE PART DRAWINGS FOR DIMENSIONS F~H.

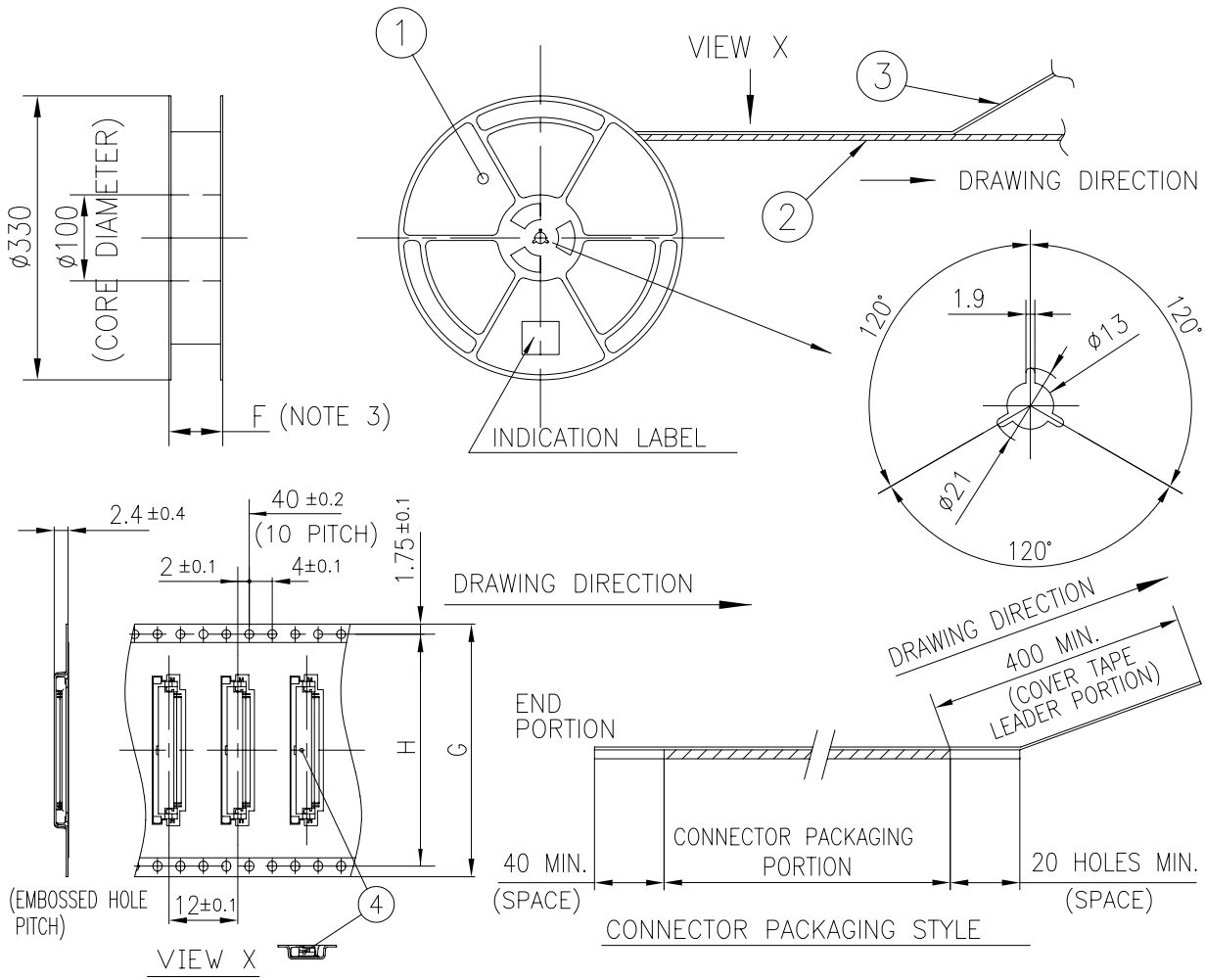


FCIconnect.com

Copyright FCI.



mat'l. code		surface ISO 1302 <input checked="" type="checkbox"/>		tolerance ISO 406 <input checked="" type="checkbox"/>		projection		product family 58EF			
ltr A		ecn no		dr		date		tolerances unless otherwise specified		title	
								angles linear		CAT. NO. TABLE FOR PLASTIC TAPE PACKAGED 0.5 mm CONTACT SPACING CONNECTOR (Cat. No. : SFV__R-1/2STBE9LF)	
								mm		scale X	
				dr		DENNIS GOH 09-05-15		dwg no		sheet 5 of 9 size	
				enr		DENNIS GOH 09-05-15		10101543		A4	
				chr		DENNIS GOH 09-05-15					
				appd		JOEY NG 09-05-15					
sheet index		revision sheet						type Product Customer Drawing		Rev. A	



PT. NO.	PARTS NAME	CAT. NO.	MATERIAL	Q'TY	NOTE
1	REEL	_____	POLYSTYRENE	1	COLOR : BLACK
2	PLASTIC (EMBOSS) TAPE	_____	A-PET	_____	COLOR : TRANSPARENCY (CLEAR)
3	COVER	_____	POLYESTER	_____	COLOR : TRANSPARENCY (CLEAR)
4	CONNECTOR	SFV__R-1STB__LF	SEE ATTACHED DWG.	500	LOWER CONTACT TYPE

NOTES

- THIS IS PLASTIC TAPE PACKAGED CONNECTOR USED FOR FPC/FFC AND COPES WITH AUTOMATIC MOUNTING (SMT).
- SEE JIS C 0806 (PACKING OF ELECTRONIC COMPONENTS ON CONTINUOUS TAPES (SURFACE MOUNTING DEVICES)) FOR SHAPE AND DIMENSIONS OF PLASTIC (EMBOSS) TAPE AND REEL.
- F DIMENSION IS PORTION OF THE CORE.

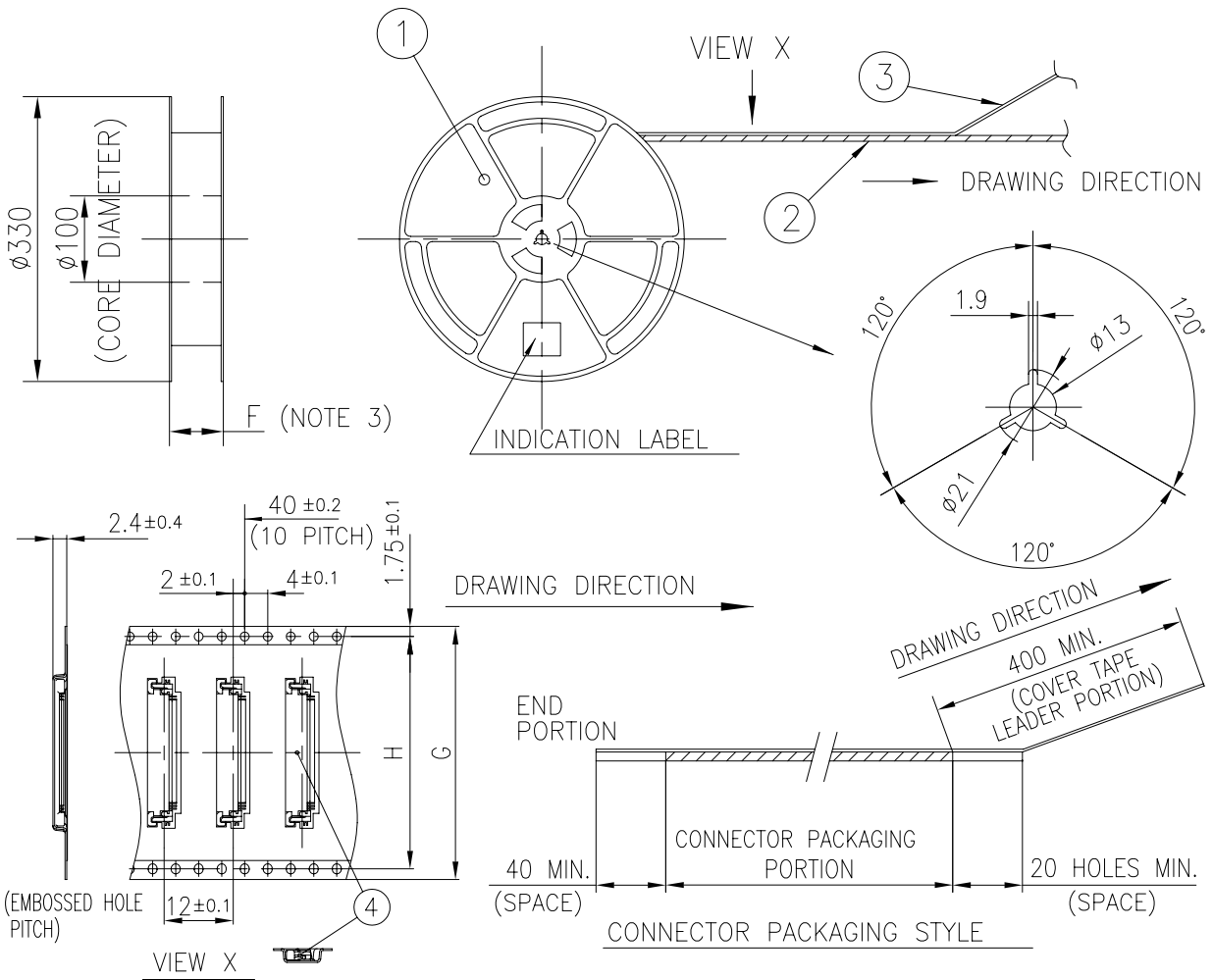
mat'l. code		surface ISO 1302 <input checked="" type="checkbox"/> tolerance ISO 406 <input checked="" type="checkbox"/> ISO 1101		projection	product family 58EF
ltr A	ecn no	dr	date	tolerances unless otherwise specified ±5	title PLASTIC TAPE PACKAGED 0.5 mm CONTACT SPACING CONNECTOR (Cat. No. : SFV__R-1STBE9LF)
				angles ±5° linear	
		dr	DENNIS GOH 09-05-15	mm	dwg no 10101543 sheet 6 of 9 size A4
		enr	DENNIS GOH 09-05-15	scale	
		chr	DENNIS GOH 09-05-15		type Product Customer Drawing
		appd	JOEY NG 09-05-15		
sheet index	revision sheet				Rev. A



FCIconnect.com

Copyright FCI.





PT. NO.	PARTS NAME	CAT. NO.	MATERIAL	Q'TY	NOTE
1	REEL	---	POLYSTYRENE	1	COLOR : BLACK
2	PLASTIC (EMBOSS) TAPE	---	A-PET	---	COLOR : TRANSPARENCY (CLEAR)
3	COVER	---	POLYESTER	---	COLOR : TRANSPARENCY (CLEAR)
4	CONNECTOR	SFV__R-2STB__LF	SEE ATTACHED DWG.	500	LOWER CONTACT TYPE

NOTES

- THIS IS PLASTIC TAPE PACKAGED CONNECTOR USED FOR FPC/FFC AND CYPES WITH AUTOMATIC MOUNTING (SMT).
- SEE JIS C 0806 (PACKING OF ELECTRONIC COMPONENTS ON CONTINUOUS TAPES (SURFACE MOUNTING DEVICES)) FOR SHAPE AND DIMENSIONS OF PLASTIC (EMBOSS) TAPE AND REEL.
- F DIMENSION IS PORTION OF THE CORE.

mat'l. code		surface ISO 1302 <input checked="" type="checkbox"/> tolerance ISO 406 ISO 1101		projection		product family 58EF	
ltr	ecn no	dr	date	tolerances unless otherwise specified ±5		title PLASTIC TAPE PACKAGED 0.5 mm CONTACT SPACING CONNECTOR (Cat. No. : SFV__R-2STBE9LF)	
A				angles ±5°	linear	mm	
						scale \times	
		dr	DENNIS GOH	09-05-15		dwg no	sheet 7 of 9
		enr	DENNIS GOH	09-05-15		10101543	size A4
		chr	DENNIS GOH	09-05-15			
		appd	JOEY NG	09-05-15			
sheet index	revision sheet					type	Product Customer Drawing
							Rev. A

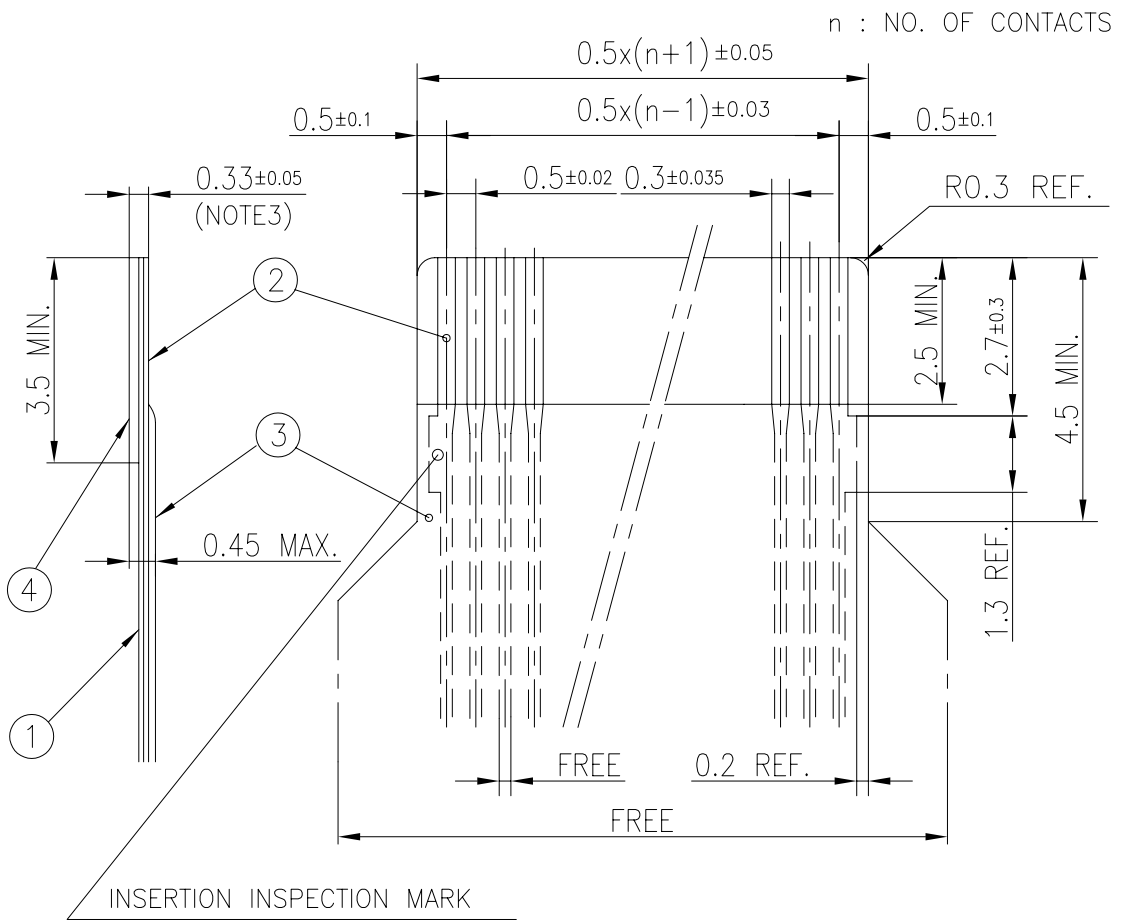


FCIconnect.com

Copyright FCI.



RECOMMENDED CABLE (FPC)



PT. NO.	PARTS NAME	MATERIAL	THICKNESS (um)
1	BASE FILM	POLYIMIDE OR POLYESTER OR EQUAL	25
2	CONDUCTOR	COPPER FOIL(PLATING : GOLD)	35
3	OVERLAY	POLYIMIDE OR POLYESTER OR EQUAL	—
4	SUPPORTING TAPE	POLYESTER OR POLYIMIDE OR EQUAL	188

NOTES

1. NO BURR AT EACH PORTION.
2. NO PEELING IN COMMON USE.
3. TOTAL THICKNESS LIMIT OF EACH MATERIAL (INCLUDING ADHESIVE AGENT) IS SPECIFIED.

mat'l. code		surface ISO 1302 <input checked="" type="checkbox"/>		tolerance ISO 406 ISO 1101		projection 		product family 58EF	
ltr	ecn no	dr	date	tolerances unless otherwise specified		mm		title RECOMMENDED CABLE (Cat. No. : SFV__R-1/2ST___LF)	
A				angles	linear	scale \propto		dwg no 10101543	
				dr	DENNIS GOH	09-05-15	sheet 8 of 9		size A4
				enr	DENNIS GOH	09-05-15	10101543		
				chr	DENNIS GOH	09-05-15	type Product Customer Drawing		
				appd	JOEY NG	09-05-15			
sheet index	revision sheet								Rev. A



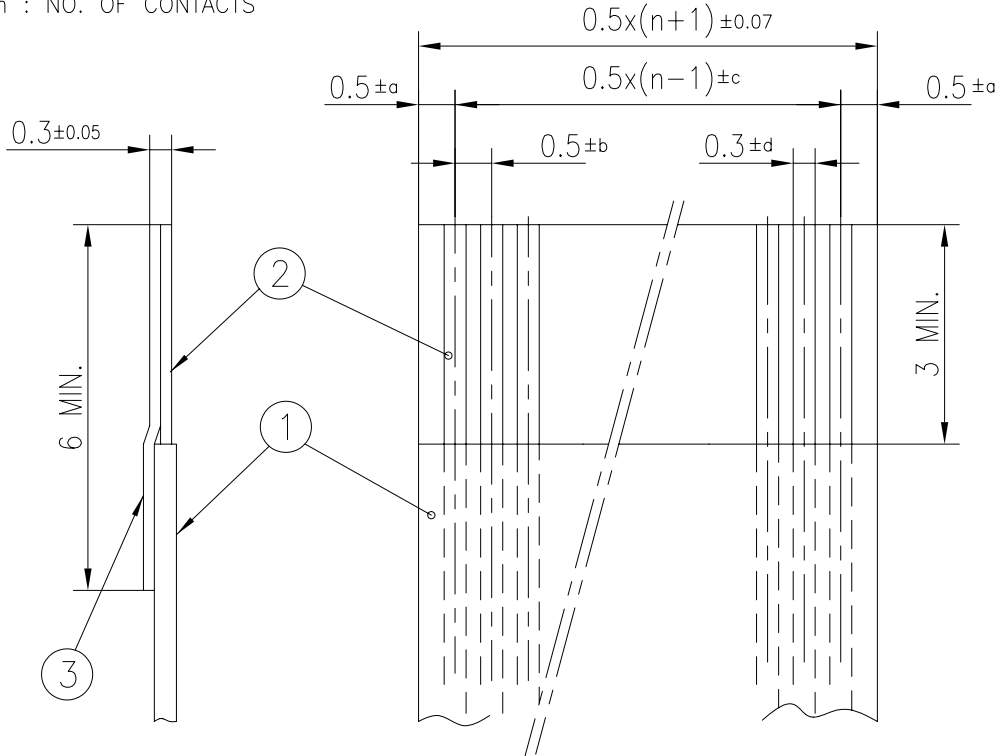
FCIconnect.com

Copyright FCI.



RECOMMENDED CABLE (FFC)

n : NO. OF CONTACTS



KIND OF FFC (NOTE3)	DIMENSIONAL TOLERANCE			
	a	b	c	d
1	±0.07	±0.04	±0.05	±0.02
2	±0.1	±0.03	±0.03	±0.025

PT. NO.	PARTS NAME	MATERIAL
1	INSULATOR	FLAME RESISTING POLYESTER OR EQUAL
2	CONDUCTOR	COPPER FOIL (PLATING : GOLD)
3	SUPPORTING TAPE	FLAME RESISTING POLYESTER OR EQUAL

NOTES

1. NO BURR AT EACH PORTION.
2. NO PEELING IN COMMON USE.
3. EITHER KIND1 OR KIND2 OF FFC CAN ACCEPT DIMENSIONAL TOLERANCE a,b,c AND d.

mat'l. code			surface ISO 1302 <input checked="" type="checkbox"/>		tolerance ISO 406 <input checked="" type="checkbox"/>		projection		product family 58EF			
ltr A			ecn no		dr		date		title			
									RECOMMENDED CABLE (Cat. No. : SFV__R-1/2ST__LF)			
			angles		linear		mm		scale X			
			dr		DENNIS GOH		09-05-15		dwg no		sheet 9 of 9	size
			enr		DENNIS GOH		09-05-15		10101543		A4	
			chr		DENNIS GOH		09-05-15		type Product Customer Drawing			
			appd		JOEY NG		09-05-15					
sheet index		revision sheet										Rev. A



FCIconnect.com

Copyright FCI.



X-ON Electronics

Largest Supplier of Electrical and Electronic Components

Click to view similar products for [FFC & FPC Connectors](#) category:

Click to view products by [Amphenol](#) manufacturer:

Other Similar products are found below :

[K-FC20](#) [FH29B-80S-0.2SHW\(99\)](#) [FPH-2022G](#) [AYF332735](#) [52610-1075](#) [52610-1275](#) [52610-1934](#) [501864-3091-TR225](#) [086222026001800](#)
[52610-0675](#) [62684-36210E9ALF](#) [52746-1671-TR250](#) [10051922-2810EHLF](#) [6-520415-9](#) [SFV6R-1STE9HLF](#) [XF3M-2915-1B-R100](#)
[1658549-1](#) [46214008010800](#) [AYF534065TA](#) [AYF351525](#) [086212040340800+](#) [AYF530365TA](#) [67000-014LF](#) [67000-004LF](#)
[006207341915000+](#) [DS1020-19RT1D](#) [67000-003LF](#) [67000-011LF](#) [67000-016LF](#) [HFW14R-2STE9LF](#) [SFV32R-2STBE9HLF](#) [SFW12R-](#)
[5STE9LF](#) [SFW18R-1STAE9LF](#) [SFW4R-5STE9LF](#) [52807-0430](#) [046283021002868+](#) [THD1015-8CL-SN](#) [67000-006LF](#) [502250-8027](#)
[104267-9617](#) [66987-011LF](#) [AYF362535](#) [F0501-T-50-20T-R](#) [HFW8S-2STAE1HLF](#) [67000-008LF](#) [67000-012LF](#) [ECC576069EU](#) [F1002-B-](#)
[20-20T-R](#) [HFW15S-2STAE1HLF](#) [0781271110](#)