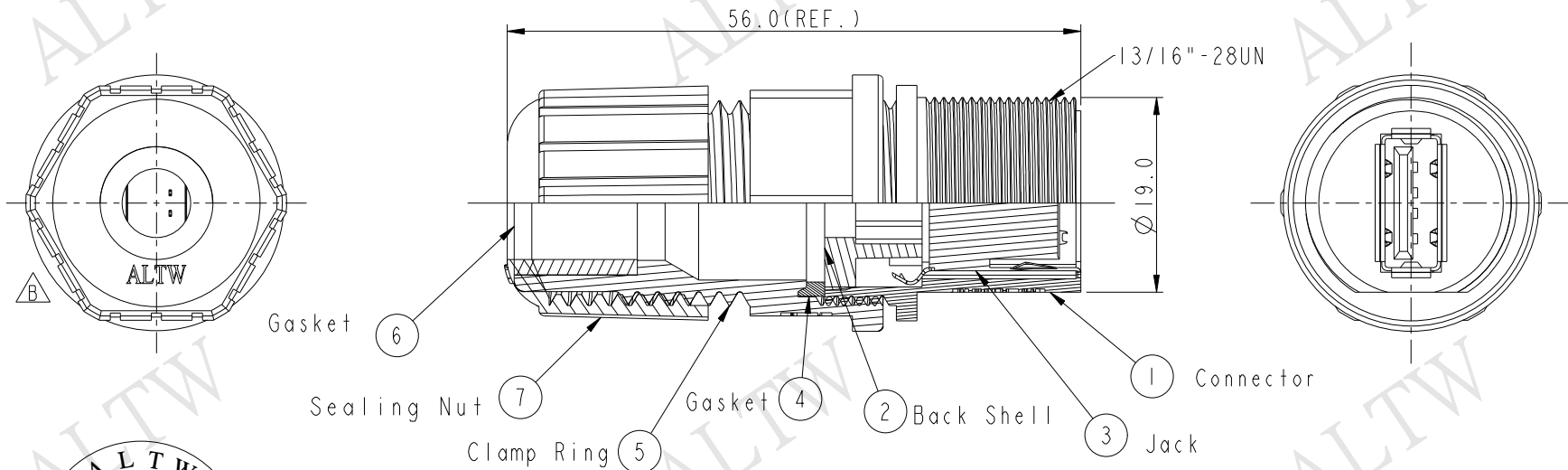
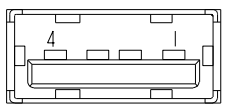


REV.	ECN NO.	DATE	SIGN	DESCRIPTION
B	LEN1490381	2014/09/19	Lu Di	Update Logo



**ALTW**  
 CONFIDENTIAL  
 2014-09-19  
 R&D DEPT.



Pin Assignments  
Front View 前視圖

- Note:
1. Seals For Cable OD:  $\varnothing 5.0\text{mm} \sim \varnothing 10.8\text{mm}$   
(防水墊圈線徑)
  2. One Set Unassembly In One PE Bag  
(每一組未組裝放至於一個PE袋並封上)
  3.  $\text{CC}$  Important Dimension  
( $\text{CC}$  為重點檢驗尺寸)

UNIT:mm		TITLE		ITEM NO	DRAWN BY	DATE
		USB A Type Male Connector Assembly		UA-20BMFA-SL8001	Lu Di	2014/09/19
TOLERANCE		SCALE	SIZE	DWG NO	CHECKED BY	DATE
.X $\pm 0.25$		3:2	A4	UA-20BMFA-SL8001	Mafei	2014/09/19
.XX $\pm 0.1$		REV.	WC-REV.	CUSTOMER	APPROVED BY	DATE
.XXX $\pm 0.05$		B	A.4	ALTW	Jerry	2014/09/19
ANGLES $\pm 1^\circ$			$\text{CC}$ : Inspection item			

**Amphenol LTW**  
 安費諾亮泰企業股份有限公司

THIS DOCUMENT IS SUBJECT TO CHANGE WITHOUT NOTICE. IT IS CONFIDENTIAL AND A PROPERTY OF Amphenol LTW. DISCLOSURE TO THIRD PARTY HAS TO BE AUTHORIZED BY Amphenol LTW.

## X-ON Electronics

Largest Supplier of Electrical and Electronic Components

*Click to view similar products for [I/O Connectors](#) category:*

*Click to view products by [Amphenol](#) manufacturer:*

Other Similar products are found below :

[571763P](#) [58098-0628](#) [72.250.1628.2](#) [72.250.2428.2](#) [74720-0505](#) [76.350.0729.0](#) [76871-1403](#) [FCN-244F080-G/1](#) [FCN-260A9920](#) [PCR-E36PM](#) [PCS-XE26MA+](#) [G38A71314B](#) [1571250010](#) [157-22500-3](#) [MS3471L14-19P L/C](#) [192991-0703](#) [172501-4002](#) [172501-6002](#) [FCN-260C008-A/L0](#) [FCN-260C024-AL0](#) [FCN-261Z008](#) [2000314-1](#) [200331-1](#) [PCR-E36FC+](#) [PCS-E28FS+](#) [PCS-XE26SLFD+](#) [PCS-XE26SLFDT+](#) [G730VID08BDC24](#) [HDR-E14MSG1+](#) [U90B2054081210](#) [UE86K842720321](#) [38113800006](#) [DP3AR020WQ1R200](#) [Z4.102.0680.0](#) [500-1040](#) [500-1052](#) [500-1054](#) [ZP-4008-66L](#) [0709821002](#) [DX40-20P\(55\)](#) [5554841-1](#) [MS3474W18-8P-LC\\*](#) [SM3106F14S-7S-LC](#) [U90B3054061110](#) [U65-E04-4020](#) [ZPF000000000097891](#) [557-262M2-06C](#) [747360449](#) [10099439-003C-TRLF](#) [10137239-0021LF](#)