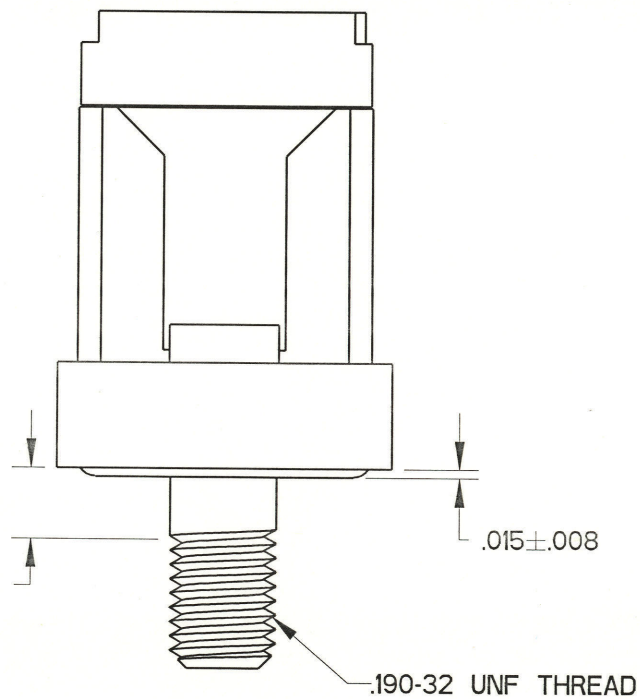
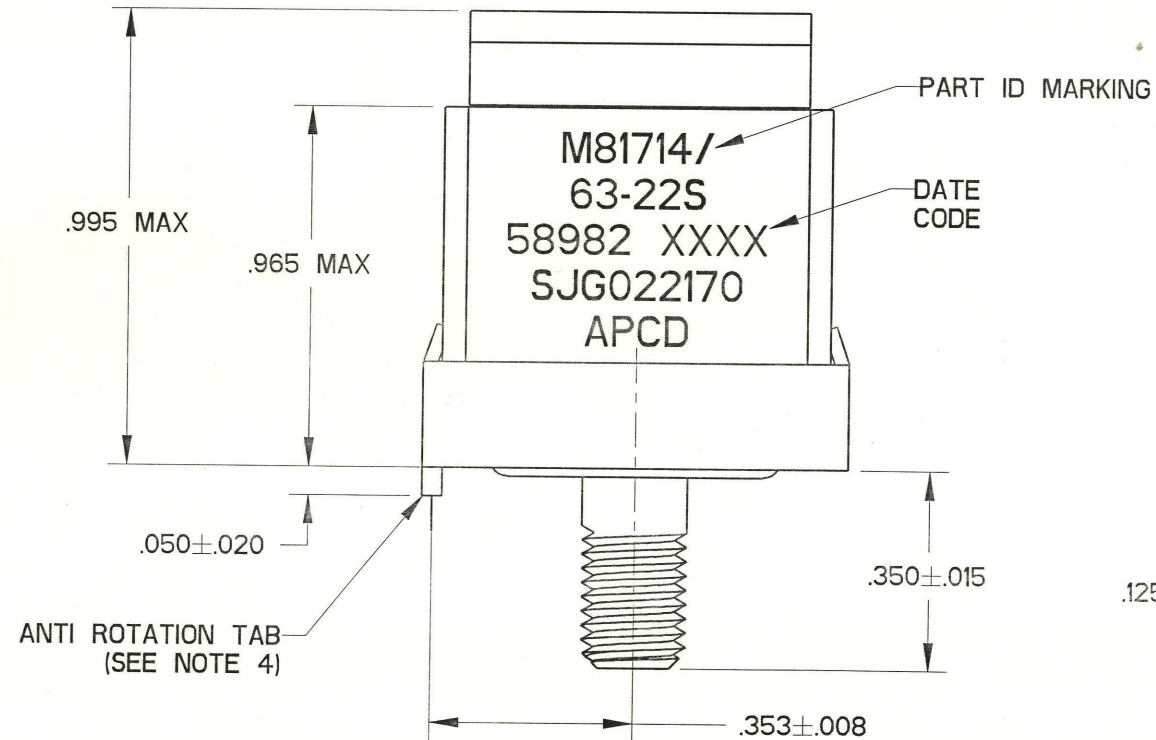
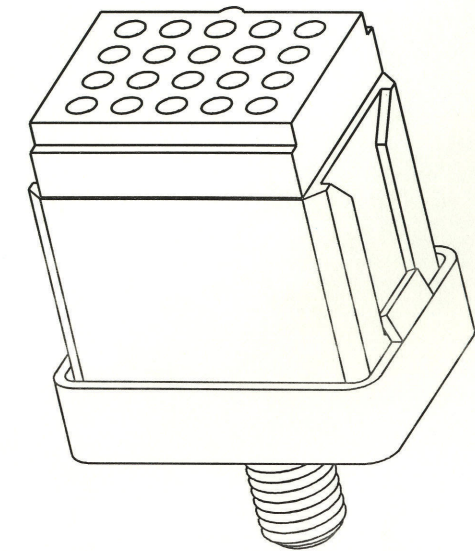
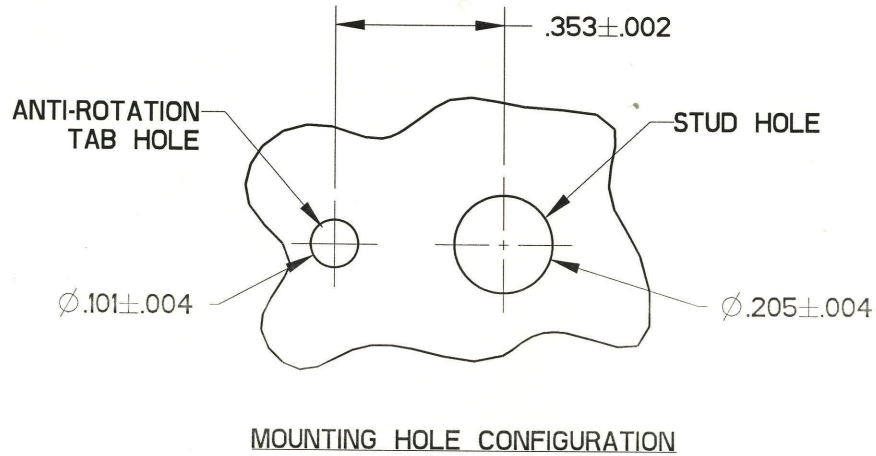
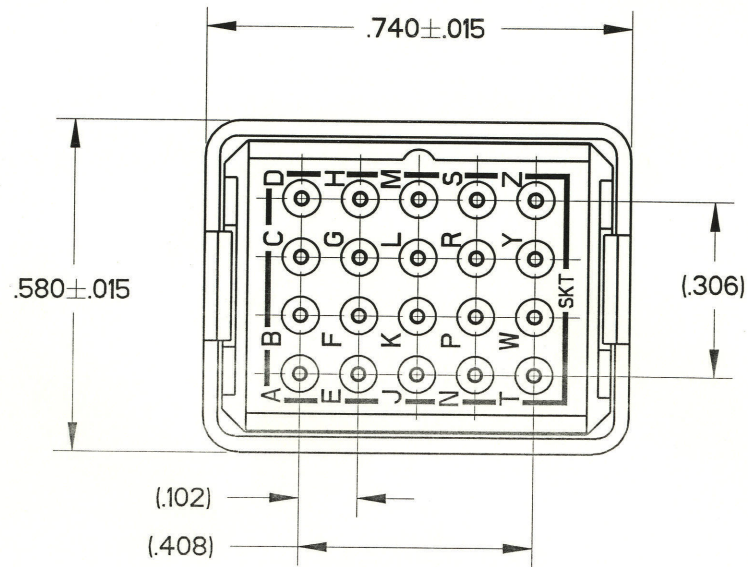


REV	ECN	APP'D
K	5910	<i>[Signature]</i>



NOTES:

- MATERIALS:
 BODY: POLYETHERIMIDE PER ASTM-D5205.
 GROMMET: SILICONE BLEND ELASTOMER PER A-A-59588.
 CONTACT RETAINERS: STAINLESS STEEL.
 SHELL/STUD: COPPER ALLOY, GOLD PLATE PER SAE-AMS-2422
 MOUNTING HARDWARE: (SUPPLIED SEPARATELY)
 STEEL, CADMIUM FINISH PER SAE-AMS-QQ-P-416
- PERFORMANCE SPECIFICATIONS:
 MEETS ALL PERFORMANCE REQUIREMENTS OF MIL-T-81714.
- MODULE ACCEPTS M39029/22-191 CONTACTS AND MS27488-22-1 SEALING PLUGS. SEE TABLE
- ANTI ROTATION TAB SHALL ENTER INTO MOUNTING HOLE.

APCD P/N	SUPPLIED		MARKING
	SKTS	PLUGS	APCD PART NO.
SJG022170	21	2	SJG022170
SJG022171	-	-	

HARDWARE / SOCKET CONTACT BOM		
APCD P/N	DESCRIPTION	QTY.
200001201	FLAT WASHER, #10	1
200008251	HEX NUT 10-32 CRS SJG	1
200008301	LOCK WASHER, INT TOOTH, #10	1
CNS070900	M39029/22-191 CONTACT SZ 20/20	13
CNA032404	SEALING PLUG, SZ 22	2

DIMENSIONS ANSI Y14.5M UNITS: INCHES Pro/E FILE	TOLERANCES .XX ±0.01 .XXX ±0.005 ANGLES ±2.0°	PROJECTION 	Amphenol Pcd SPECIFICATION DRAWING		TITLE SJG, SIZE 22 GROUNDING MODULE GOLD FINISH		
			DRWN R. SWAINE 9/26/06	ENGR <i>[Signature]</i> 9/26/06	SIZE B	DWG NO. SJG022170	REV K
ORIGINAL 	THIS DOCUMENT CONTAINS PROPRIETARY INFORMATION WHICH IS THE CONFIDENTIAL PROPERTY OF AMPHENOL PCD INC., PEABODY, MA			APPD <i>[Signature]</i> 9/26/06	CODE: 58982	SCALE: 2:1	SHEET 1 OF 1

SJG322170

SJG322170

X-ON Electronics

Largest Supplier of Electrical and Electronic Components

Click to view similar products for [Socket Junction Modules](#) category:

Click to view products by [Amphenol](#) manufacturer:

Other Similar products are found below :

[00175820202](#) [00610700081](#) [BTJ716K01D-7067](#) [BTJ720E01B-513](#) [SJG016100](#) [BTJ116E02B](#) [BTM-16-513](#) [SJG020200](#) [SJTC08000](#)
[BTJ722K01C-7067](#) [BTL-20-513](#) [BTJ116E03A-513](#) [BTJ120E03D-513](#) [BTJ716E01D-513](#) [BTJ116E02B-513](#) [BTJ122E05E-513](#) [SJG016200](#)
[BTL-16-513](#) [BTM-16](#) [BTM-22-513](#) [BTL-16](#) [00170511156](#) [BTM-22](#) [SJE020016](#) [SJE020045](#) [A85049124S25W](#) [A85049124S13W](#)
[A85049124S17W](#) [A85049124S11W](#) [SJE020053](#) [BTJ122E10A-513](#) [M81969/14-04](#) [SJG316171](#) [BTL-12](#) [SJG320171](#) [M81714/60-22-10](#)
[00175110100](#) [00175110600](#) [00111510102](#) [00175110200](#) [00175110800](#) [00175110700](#) [00175110107](#) [00175110507](#) [00111510502](#)
[00175110300](#) [00111510202](#) [00175110207](#) [00175110400](#) [00175110900](#)