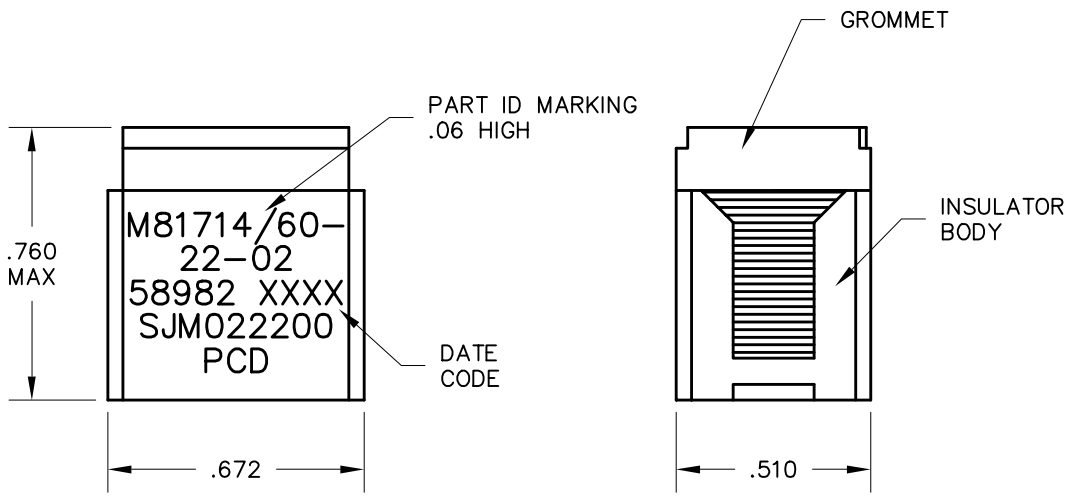
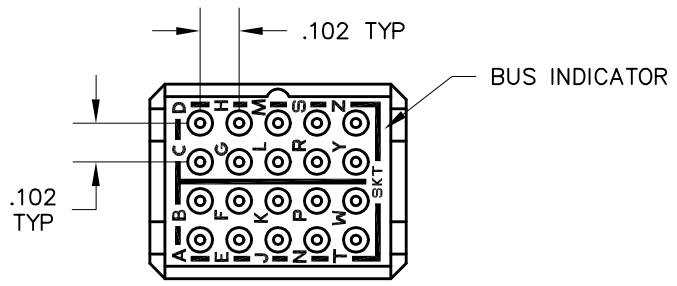


REV	ECN	APP'D
H	3963	JC 4/25/00
J	4127	



- NOTES:
- MATERIALS:  
 BODY: POLYETHERIMIDE PER MIL-P-46184.  
 GROMMET: SILICONE BLEND ELASTOMER.  
 CONTACT RETAINERS: BERYLLIUM COPPER.  
 INTERNAL PIN CONTACTS: COPPER ALLOY,  
 HARD GOLD PLATE  
 PER MIL-G-45204.
  - PERFORMANCE SPECIFICATIONS:  
 OPERATING TEMP: -65° TO 200°C  
 INSULATION RESISTANCE: 5000 MEGOHMS MIN @ 25°C  
 DIELECTRIC WITHSTANDING VOLTAGE:  
 1500 VRMS AT SEA LEVEL  
 AND 200 VRMS AT 110,000 FT. ALTITUDE.  
 CURRENT RATING: 5 AMPS  
 VIBRATION AND SHOCK: PER MIL-T-81714,  
 PARAGRAPH 3.5.5 AND 3.5.8.
  - MODULE SUPPLIED WITH 21 SOCKET CONTACTS PER  
 M39029/22-191 AND TWO (2) MS27488-22 SEALING  
 PLUGS.

DIMENSIONS ANSI Y14.5M UNITS: INCHES ACAD FILE	TOLERANCES .XX ± .XXX ±.010 ANGLES ±2°	PROJECTION 	<b>SPECIFICATION DRAWING</b>			TITLE SOCKET JUNCTION MODULE SIZE 22 - 2-BUS M81714/60-22-02		
			ENGR A. PATRIE 4/19/00			SIZE A	DWG NO. SJM022200	REV J
ORIGINAL	THIS DOCUMENT CONTAINS PROPRIETARY INFORMATION WHICH IS THE CONFIDENTIAL PROPERTY OF PCD, INC. PEABODY, MA, USA		CHKD J. TON 4/24/00		CODE: 58982		SCALE: 2:1	SHEET 1 OF 1
			APPD J. CAHALY 4/25/00					

## X-ON Electronics

Largest Supplier of Electrical and Electronic Components

*Click to view similar products for [Socket Junction Modules](#) category:*

*Click to view products by [Amphenol](#) manufacturer:*

Other Similar products are found below :

[00175820202](#) [00610700081](#) [MS3181-8RA](#) [BTJ716K01D-7067](#) [BTJ720E01B-513](#) [SJG016100](#) [BTJ116E02B](#) [BTM-16-513](#) [SJG020200](#)  
[SJTC08000](#) [BTJ722K01C-7067](#) [BTL-20-513](#) [BTJ116E03A-513](#) [BTJ120E03D-513](#) [BTJ716E01D-513](#) [BTJ116E02B-513](#) [BTJ122E05E-513](#)  
[SJG016200](#) [BTL-16-513](#) [BTM-16](#) [BTM-22-513](#) [BTL-16](#) [00170511156](#) [BTM-22](#) [SJE020016](#) [SJE020045](#) [A85049124S25W](#)  
[A85049124S13W](#) [A85049124S17W](#) [A85049124S11W](#) [00111976902](#) [00175820102](#) [00111510602](#) [09806150200](#) [SJE020053](#) [BTJ122E10A-](#)  
[513](#) [M81969/14-04](#) [SJG316171](#) [BTL-12](#) [SJG320171](#) [M81714/60-22-10](#) [00175110100](#) [00175110600](#) [00111510102](#) [00175110200](#)  
[00175110800](#) [00175110700](#) [00175110107](#) [00175110507](#) [00111510502](#)