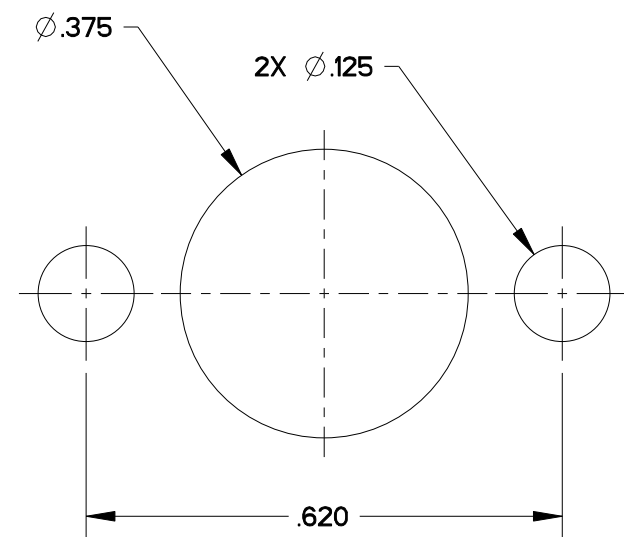
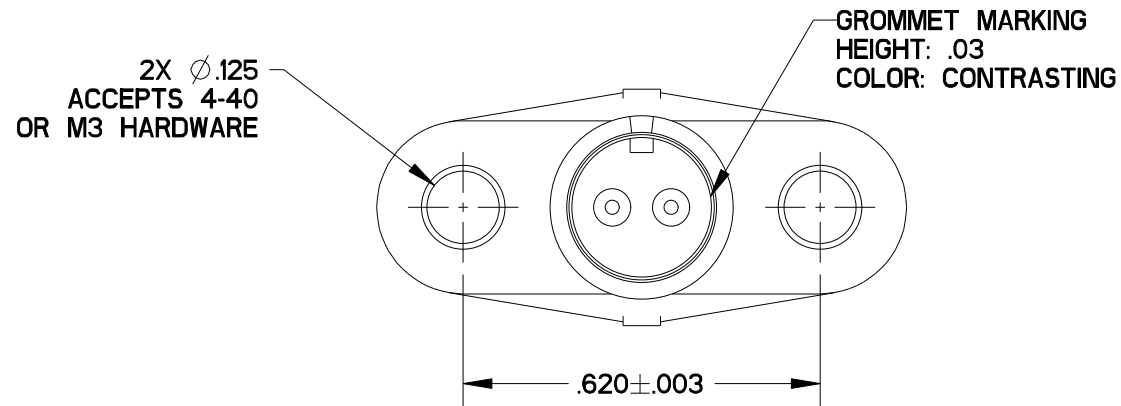


REV	ECN	APP'D
1	-	



RECOMMENDED PANEL CUTOUT

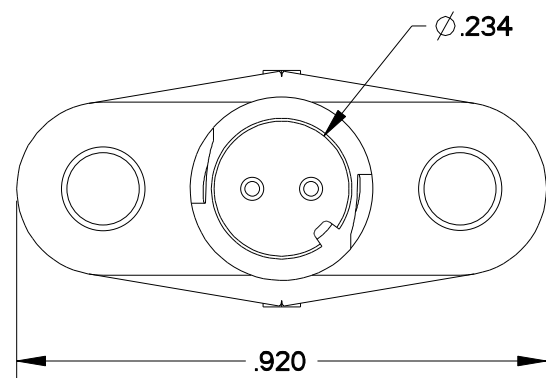
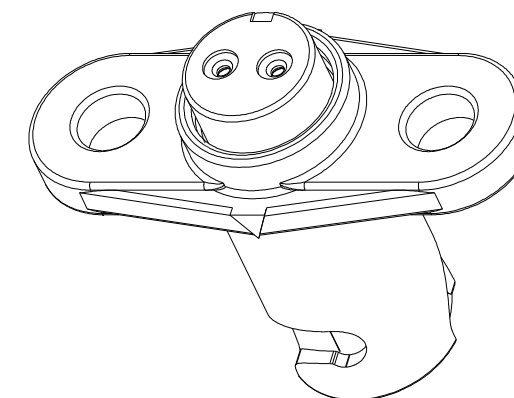
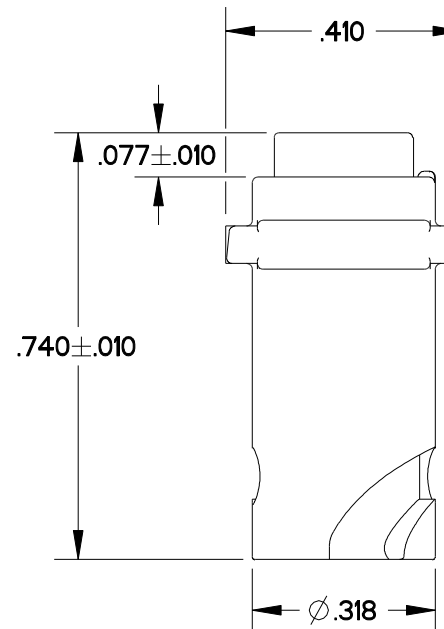
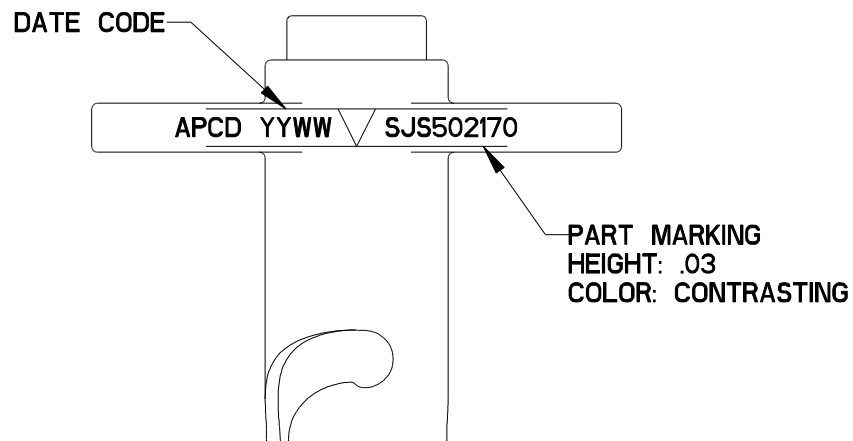


TABLE I - PART NUMBER SCHEME		
APCD P/N	P/N MARKING	CONTACTS SUPPLIED
SJS502170	SJS502170	NONE
SJS502171		(2) M39029/58-360

- NOTES:
- MATERIALS:  
HOUSING: PEI, COLOR: BLACK.  
CONTACT RETAINER: STAINLESS STEEL.  
GROMMET: SILICONE RUBBER PER A-A-59588, COLOR: RED.
  - MATING CONTACT: SEE TABLE I.
  - PART MATES WITH SJS830250/251
  - EST. WEIGHT: 1.4 GRAMS.
  - SUPPLIED WITH DUST CAP.

DIMENSIONS ANSI Y14.5M UNITS: INCHES Pro/E FILE	TOLERANCES .XX $\pm$ 0.01 .XXX $\pm$ 0.005 ANGLES $\pm$ 2.0°	PROJECTION 	<b>Amphenol Pcd</b> SPECIFICATION DRAWING ENGR M. DiGIACOMO 13 MAY 2015 CHKD APPD	TITLE <b>2 POSITION SIZE 22 RECEPTACLE, PANEL MOUNT OVAL FLANGE, SHELL SIZE 5</b>		
	ORIGINAL	THIS DOCUMENT CONTAINS PROPRIETARY INFORMATION WHICH IS THE CONFIDENTIAL PROPERTY OF AMPHENOL PCD INC. BEVERLY, MA, USA		SIZE <b>B</b>	DWG NO. <b>SJS502170_C</b>	REV <b>1</b>
				CODE: 58982	SHEET 1 OF 1	

## X-ON Electronics

Largest Supplier of Electrical and Electronic Components

*Click to view similar products for [Standard Circular Connector](#) category:*

*Click to view products by [Amphenol](#) manufacturer:*

Other Similar products are found below :

[5M2530B10P](#) [600259N006](#) [600273N007](#) [6134-336-13149](#) [6134-337-11149](#) [6134-337-2390](#) [6134-341-17149](#) [6280-4SG-516](#) [6280-7SG-3DC](#)  
[6290](#) [6291A](#) [66200A-10](#) [680-SMG](#) [681-PMG](#) [CXS3102A14S2P](#) [CXS3102A181S](#) [7251-6SG-300](#) [7271-6SG-300](#) [7282-3PG-300-CH3](#) [75-](#)  
[474014-05S](#) [75-474618-01S](#) [75-474618-04P](#) [75-474618-04S](#) [799539-000](#) [MI8-SE](#) [805-005-07NF11-19PC](#) [805-005-07NF15-7PA](#) [8280-4PG-](#)  
[516](#) [8280-7PG-519](#) [8282-5PG-519](#) [836783-1](#) [MP-4102-25P-C](#) [862256-1](#) [864019-2](#) [866857-1](#) [867865-1](#) [PT01SP-14-18P](#) [PT08P-14-5S](#)  
[PTSF06SE-14-12S](#) [120-1833-000](#) [QCM019PC2DC012B](#) [1-2069279-1](#) [121583-0217](#) [121667-0020](#) [129591AU](#) [1000B BULK](#) [RD10A16-19-](#)  
[P6CS051/1](#) [RD10A20-31-P8CS051/1](#) [RD16A14-12-S6CS051/2](#) [1301240290](#) [1301240347](#)