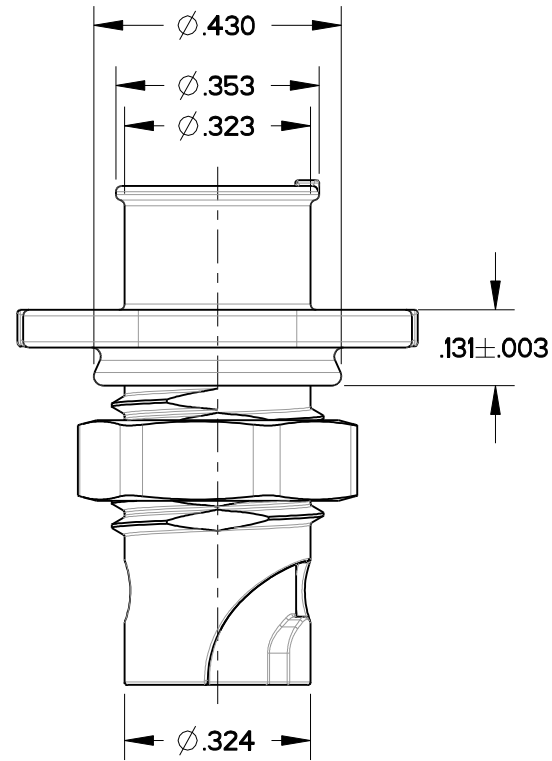
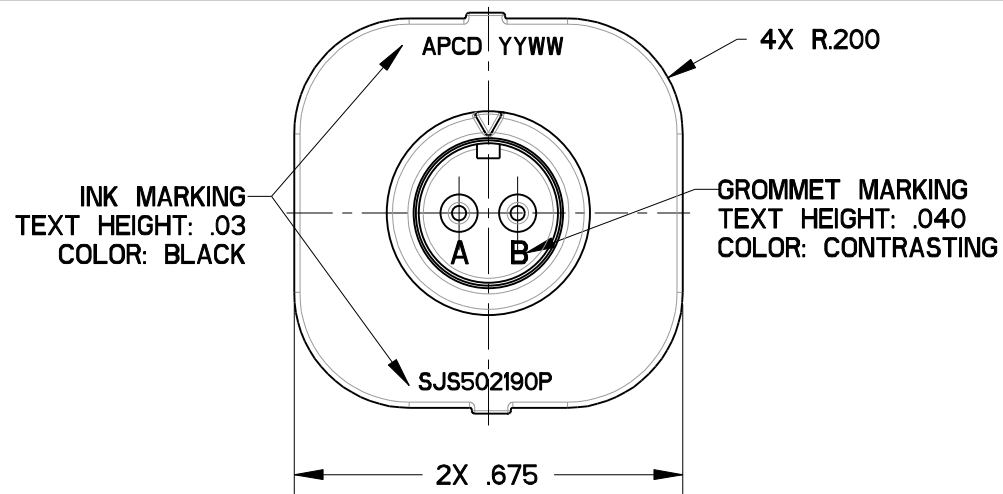


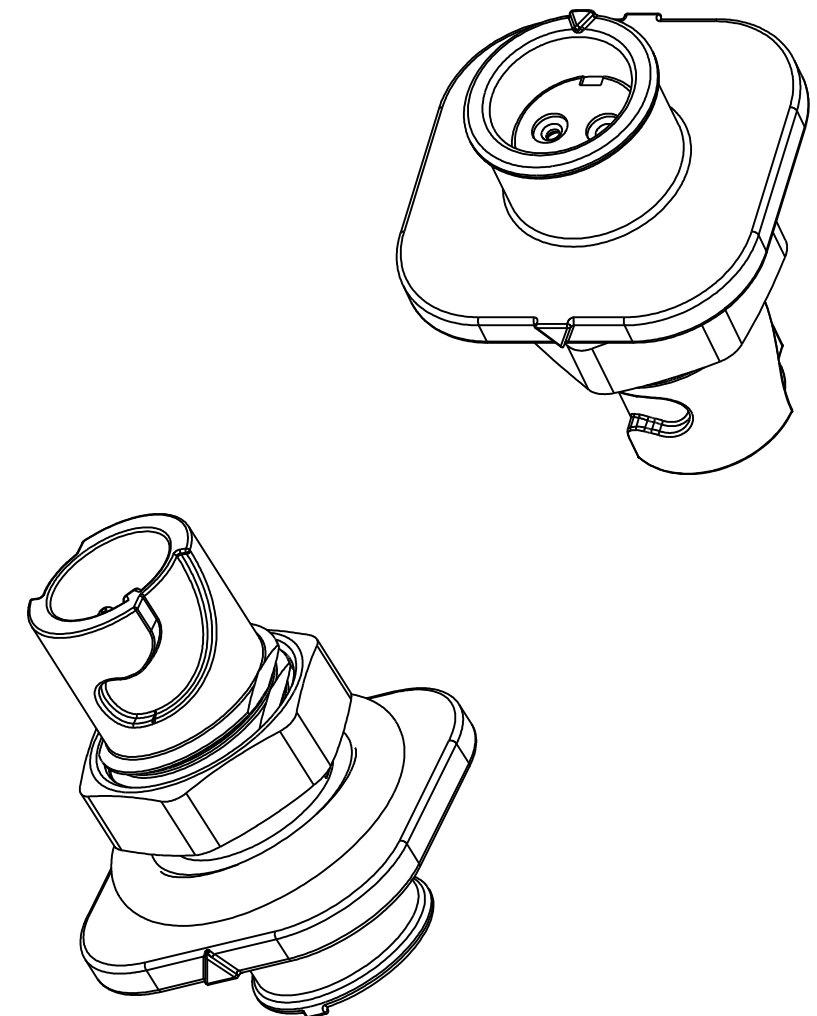
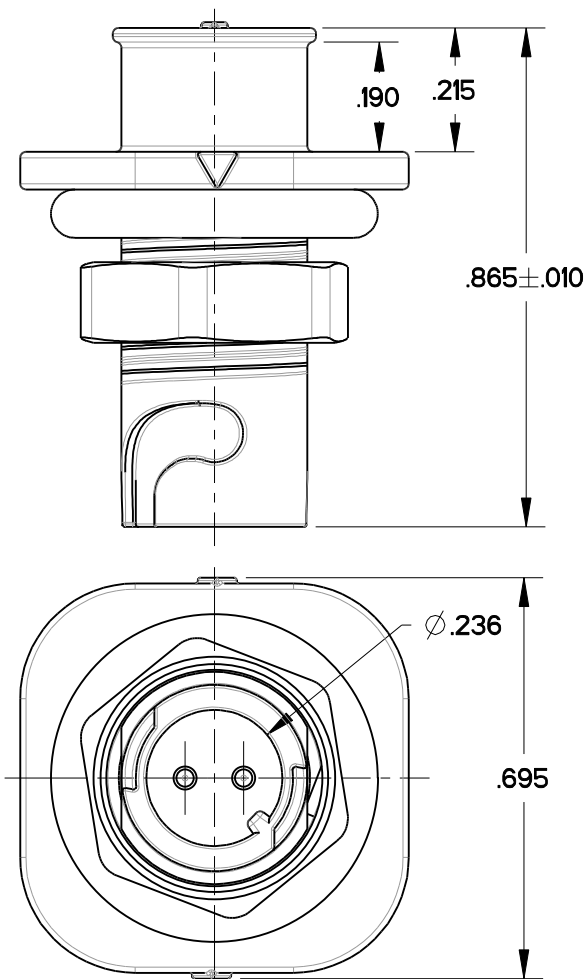
SJS502190P_C

PART NO.	CONTACTS SUPPLIED	PART MARKING
SJS502190P	NONE	SJS502190P
SJS502191P	(2) M39029/58-360	

REV	ECN	APP'D
1		



O-RING NOT SHOWN FOR VERTICAL MOUNTING DIMENSION CLARIFICATION



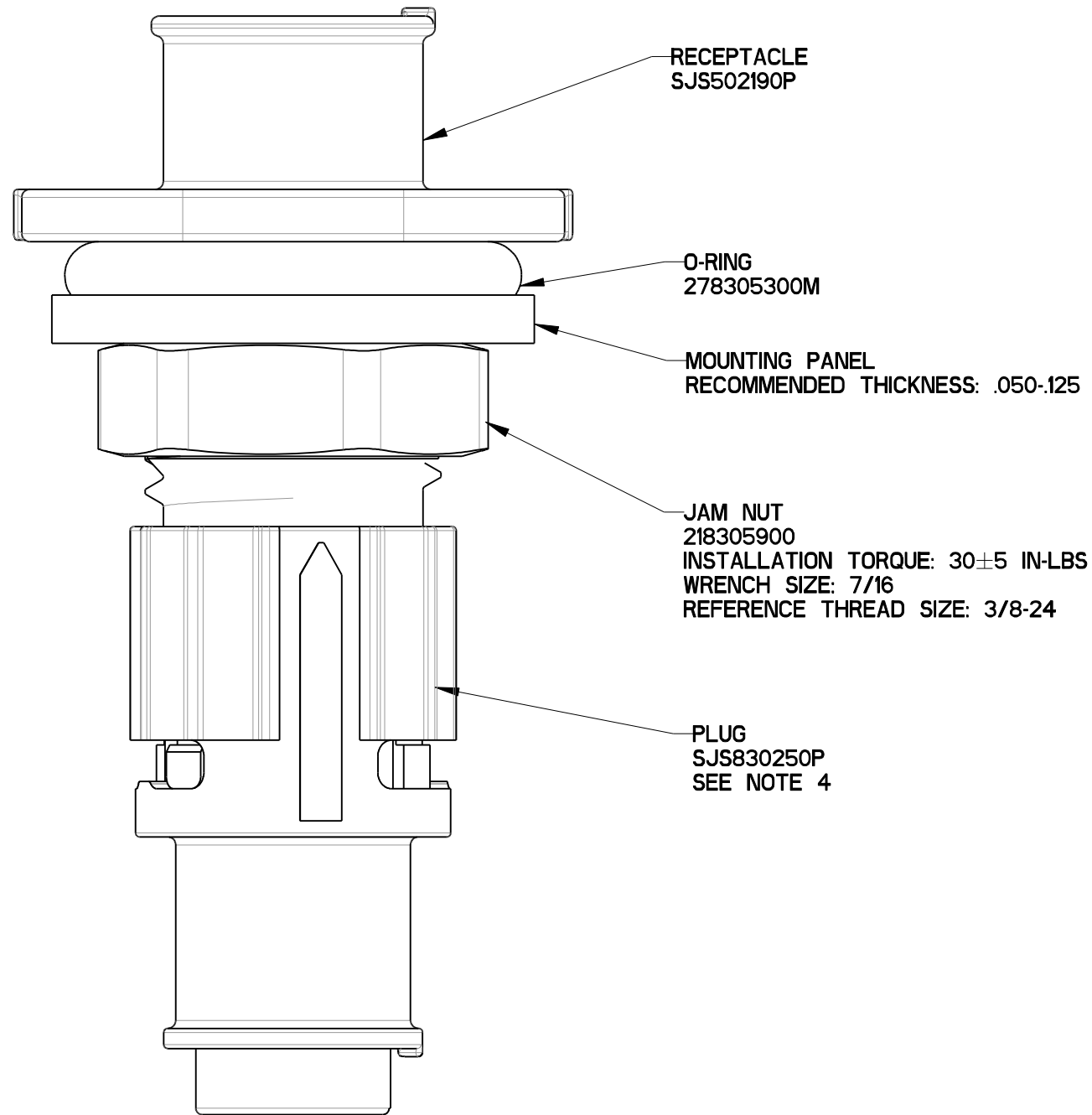
NOTES:

- MATERIALS:
HOUSING: POLYETHERIMIDE
CONTACT RETAINER: STAINLESS STEEL
JAM NUT: ALUMINIUM ALLOY
O-RING: CONDUCTIVE SILICONE RUBBER
GROMMET: SILICONE RUBBER PER A-A-59588
- FINISH:
HOUSING: NICKEL, 200 MICROINCHES MINIMUM
OVER COPPER, 120 MICROINCHES MINIMUM
- PARTS ACCEPTS PIN CONTACTS PER M39029/58-360.
- PART MATES WITH SJS830250P/251P
- WEIGHT: 1.7 GRAMS
- SUPPLIED WITH DUST CAP.

DIMENSIONS ANSI Y14.5M UNITS: INCHES Pro/E FILE	TOLERANCES .XX ±0.01 .XXX ±0.005 ANGLES ±2.0°	PROJECTION 	Amphenol Pcd SPECIFICATION DRAWING		TITLE JAM NUT REAR MOUNT RECEPTACLE SHELL SIZE 5 SJS PEGASUS 2 POS SIZE 22		
			ENGR ANDREW.WANG	Mar-11-16	SIZE B	DWG NO. SJS502190P_C	REV 1
ORIGINAL	THIS DOCUMENT CONTAINS PROPRIETARY INFORMATION WHICH IS THE CONFIDENTIAL PROPERTY OF AMPHENOL PCD INC., BEVERLY, MA		CHKD	APPD	CODE: 58982	SCALE: 3:1	SHEET 1 OF 2

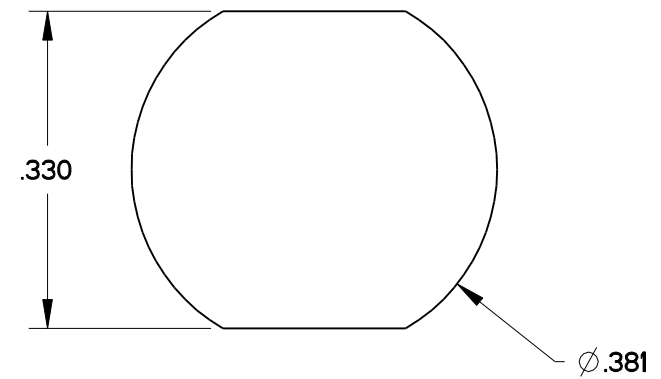
SJS502190P_C

SJS502190P_C



MOUNTING INSTRUCTIONS

SCALE 5:1



MOUNTING PANEL CUTOUT

SCALE 5:1

SIZE	DWG NO.	REV
B	SJS502190P_C	1
CODE: 58982	SCALE: 3:1	SHEET 2 OF 2

X-ON Electronics

Largest Supplier of Electrical and Electronic Components

Click to view similar products for [Standard Circular Connector](#) category:

Click to view products by [Amphenol](#) manufacturer:

Other Similar products are found below :

[5M2530B10P](#) [600259N006](#) [600273N007](#) [6134-336-13149](#) [6134-337-11149](#) [6134-337-2390](#) [6134-341-17149](#) [6280-4SG-516](#) [6280-7SG-3DC](#)
[6290](#) [6291A](#) [66200A-10](#) [680-SMG](#) [681-PMG](#) [CXS3102A14S2P](#) [CXS3102A181S](#) [7251-6SG-300](#) [7271-6SG-300](#) [7282-3PG-300-CH3](#) [75-](#)
[474014-05S](#) [75-474618-01S](#) [75-474618-04P](#) [75-474618-04S](#) [799539-000](#) [MI8-SE](#) [805-005-07NF11-19PC](#) [805-005-07NF15-7PA](#) [8280-4PG-](#)
[516](#) [8280-7PG-519](#) [8282-5PG-519](#) [836783-1](#) [MP-4102-25P-C](#) [862256-1](#) [864019-2](#) [866857-1](#) [867865-1](#) [PT01SP-14-18P](#) [PT08P-14-5S](#)
[PTSF06SE-14-12S](#) [120-1833-000](#) [QCM019PC2DC012B](#) [1-2069279-1](#) [121583-0217](#) [121667-0020](#) [129591AU](#) [1000B BULK](#) [RD10A16-19-](#)
[P6CS051/1](#) [RD10A20-31-P8CS051/1](#) [RD16A14-12-S6CS051/2](#) [1301240290](#) [1301240347](#)