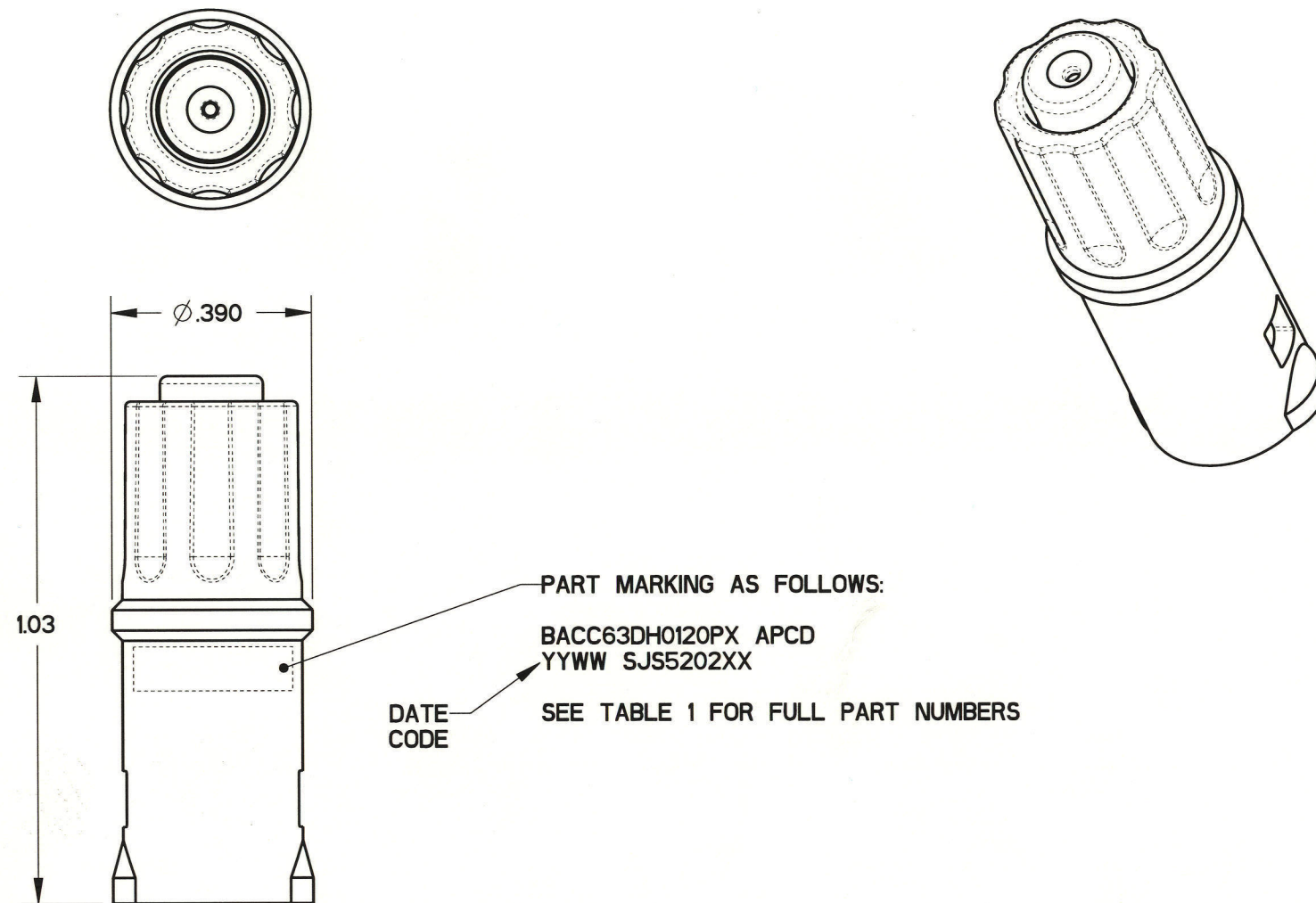


REV	ECN	APP'D
-	5663	J. TON
A	5706	J. TON
B	5720	J. TON
C	5796	J. Ton 9-11-06



PART MARKING AS FOLLOWS:  
 BACC63DH0120PX APCD  
 YYWW SJS5202XX  
 DATE CODE  
 SEE TABLE 1 FOR FULL PART NUMBERS

NOTES:

- MATERIALS:  
 HOUSING: PA 6/6  
 CONTACT RETAINER: STAINLESS STEEL  
 GROMMET: SILICONE RUBBER PER A-A-59588  
 SEAL: SILICONE RUBBER PER A-A-59588
- OPERATING RANGE:  
 TEMPERATURE: -65 °C TO 160 °C  
 INSULATION RESISTANCE: 5000 MEGOHMS MINIMUM  
 DIELECTRIC WITHSTANDING VOLTAGE: 1500 VRMS SEA LEVEL  
 200 VRMS @100,000 FT. ALTITUDE  
 CURRENT RATING: 7.5 AMPS  
 VIBRATION: PER EIA-364-D METHOD 28
- ACCEPTS (1) M39029/58-363 PIN CONTACT (NOT INCLUDED)
- CONTACT RETENTION - MUST LOCK 25 LBS
- LOCKING FEATURE - NO BREAK 25 LBS

TABLE 1 - PART NUMBER SCHEME		
APCD PART#	BACC PART#	COLOR
SJS520200	BACC63DH0120PG	GREEN
SJS520210	BACC63DH0120PY	YELLOW

DIMENSIONS ANSI Y14.5M UNITS: INCHES Pro/E FILE	TOLERANCES .XX ±0.01 .XXX ±0.005 ANGLES ±1.0°	PROJECTION 	<b>Amphenol Pcd</b> SPECIFICATION DRAWING		TITLE IN-LINE JUNCTION SINGLE WIRE, SIZE 20 RECEPTACLE		
			ENGR S. STONE 10/19/05	CHKD J. TON 10/19/05		SIZE <b>B</b>	DWG NO. <b>SJS520200</b>
ORIGINAL 	THIS DOCUMENT CONTAINS PROPRIETARY INFORMATION WHICH IS THE CONFIDENTIAL PROPERTY OF AMPHENOL PCD INC., PEABODY, MA		APPD J. TON 10/19/05	CODE: 58982	SCALE: 3:1	SHEET 1 OF 1	

SJS520200

SJS520200

## X-ON Electronics

Largest Supplier of Electrical and Electronic Components

*Click to view similar products for [Standard Circular Connector](#) category:*

*Click to view products by [Amphenol](#) manufacturer:*

Other Similar products are found below :

[5M2530B10P](#) [600259N006](#) [600273N007](#) [6134-336-13149](#) [6134-337-11149](#) [6134-337-2390](#) [6134-341-17149](#) [6280-4SG-516](#) [6280-7SG-3DC](#)  
[6290](#) [6291A](#) [66200A-10](#) [680-SMG](#) [681-PMG](#) [CXS3102A14S2P](#) [CXS3102A181S](#) [7251-6SG-300](#) [7271-6SG-300](#) [7282-3PG-300-CH3](#) [75-](#)  
[474014-05S](#) [75-474618-01S](#) [75-474618-04P](#) [75-474618-04S](#) [799539-000](#) [MI8-SE](#) [805-005-07NF11-19PC](#) [805-005-07NF15-7PA](#) [8280-4PG-](#)  
[516](#) [8280-7PG-519](#) [8282-5PG-519](#) [836783-1](#) [MP-4102-25P-C](#) [862256-1](#) [864019-2](#) [866857-1](#) [867865-1](#) [PT01SP-14-18P](#) [PT08P-14-5S](#)  
[PTSF06SE-14-12S](#) [120-1833-000](#) [QCM019PC2DC012B](#) [1-2069279-1](#) [121583-0217](#) [121667-0020](#) [129591AU](#) [1000B BULK](#) [RD10A16-19-](#)  
[P6CS051/1](#) [RD10A20-31-P8CS051/1](#) [RD16A14-12-S6CS051/2](#) [1301240290](#) [1301240347](#)