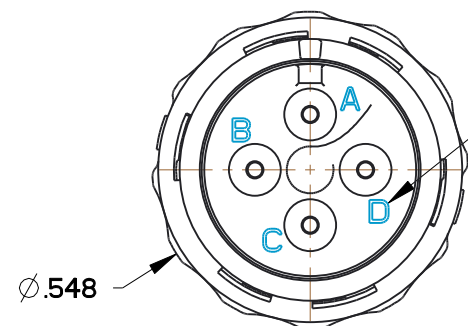
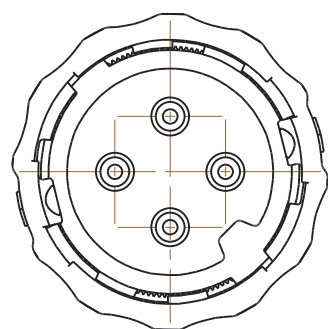
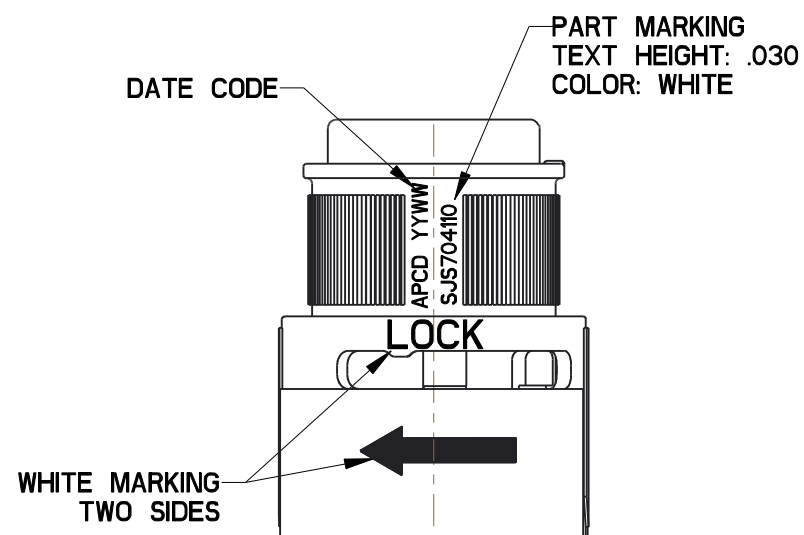
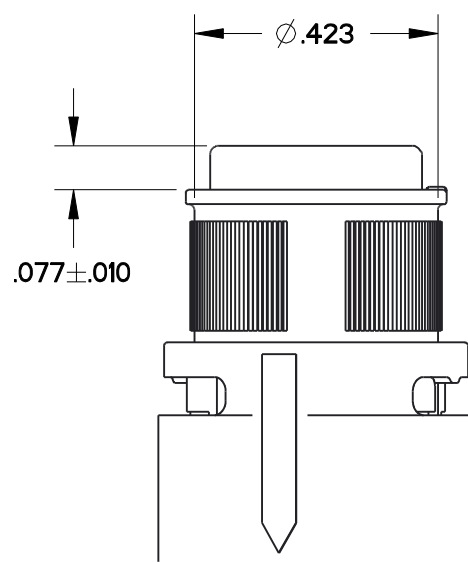
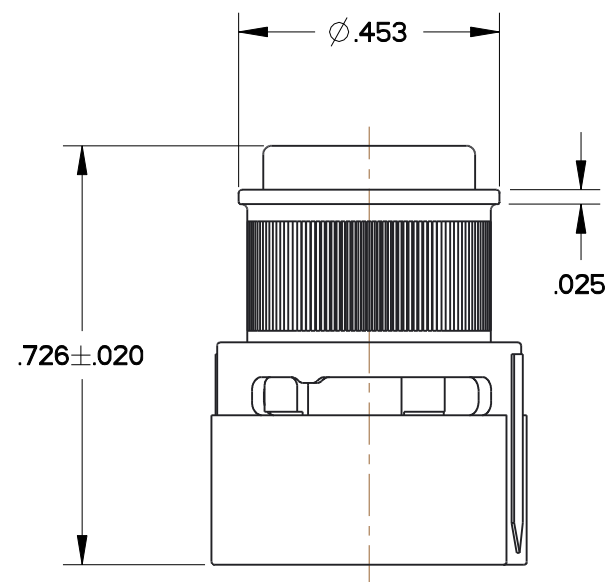
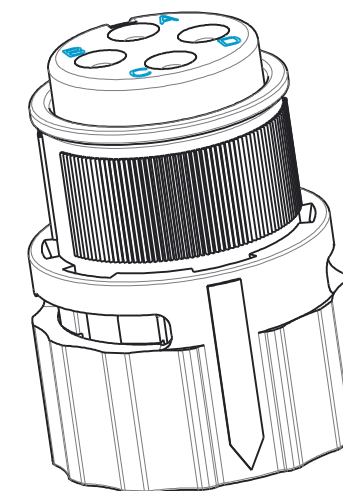


REV	ECN	APP'D
01		



LASER MARKING  
.040 HIGH CHARACTERS  
COLOR: CONTRASTING



NOTES:

- MATERIALS:  
HOUSING: POLYETHERIMIDE  
CONTACT RETAINER: STAINLESS STEEL  
GROMMET & FACE SEAL: SILICONE RUBBER PER A-A-59588
- PART ACCEPTS SOCKET CONTACTS PER: M39029/57-357
- PART MATES WITH SJS704120/SJS704121.
- WEIGHT: 2.2 GRAMS
- SUPPLIED WITH DUST CAP.

APCD P/N	CONTACTS SUPPLIED	HOUSING COLOR	PART MARKING
SJS704110	NONE	BLACK	SJS704110
SJS704111	(4) M39029/57-357		

DIMENSIONS ANSI Y14.5M UNITS: INCHES Pro/E FILE	TOLERANCES .XX ±0.01 .XXX ±0.005 ANGLES ±2.0°	PROJECTION 	Amphenol Pcd SPECIFICATION DRAWING		TITLE LUMINUS, PLUG 4 POSITION, SIZE 20 SHELL SIZE 7		
			ENGR SEAN.ZENG	Dec-29-15	SIZE B	DWG NO. SJS704110_CE	REV 01
ORIGINAL	THIS DOCUMENT CONTAINS PROPRIETARY INFORMATION WHICH IS THE CONFIDENTIAL PROPERTY OF AMPHENOL PCD INC., BEVERLY, MA		CHKD	APPD	CODE: 58982	SCALE: 3:1	SHEET 1 OF 1

SJS704110\_CE

SJS704110\_CE

## X-ON Electronics

Largest Supplier of Electrical and Electronic Components

*Click to view similar products for [Standard Circular Connector](#) category:*

*Click to view products by [Amphenol](#) manufacturer:*

Other Similar products are found below :

[5M2530B10P](#) [600259N006](#) [600273N007](#) [6134-336-13149](#) [6134-337-11149](#) [6134-337-2390](#) [6134-341-17149](#) [6280-4SG-516](#) [6280-7SG-3DC](#)  
[6290](#) [6291A](#) [66200A-10](#) [680-SMG](#) [681-PMG](#) [CXS3102A14S2P](#) [CXS3102A181S](#) [7251-6SG-300](#) [7271-6SG-300](#) [7282-3PG-300-CH3](#) [75-](#)  
[474014-05S](#) [75-474618-01S](#) [75-474618-04P](#) [75-474618-04S](#) [799539-000](#) [MI8-SE](#) [805-005-07NF11-19PC](#) [805-005-07NF15-7PA](#) [8280-4PG-](#)  
[516](#) [8280-7PG-519](#) [8282-5PG-519](#) [836783-1](#) [MP-4102-25P-C](#) [862256-1](#) [864019-2](#) [866857-1](#) [867865-1](#) [PT01SP-14-18P](#) [PT08P-14-5S](#)  
[PTSF06SE-14-12S](#) [120-1833-000](#) [QCM019PC2DC012B](#) [1-2069279-1](#) [121583-0217](#) [121667-0020](#) [129591AU](#) [1000B BULK](#) [RD10A16-19-](#)  
[P6CS051/1](#) [RD10A20-31-P8CS051/1](#) [RD16A14-12-S6CS051/2](#) [1301240290](#) [1301240347](#)