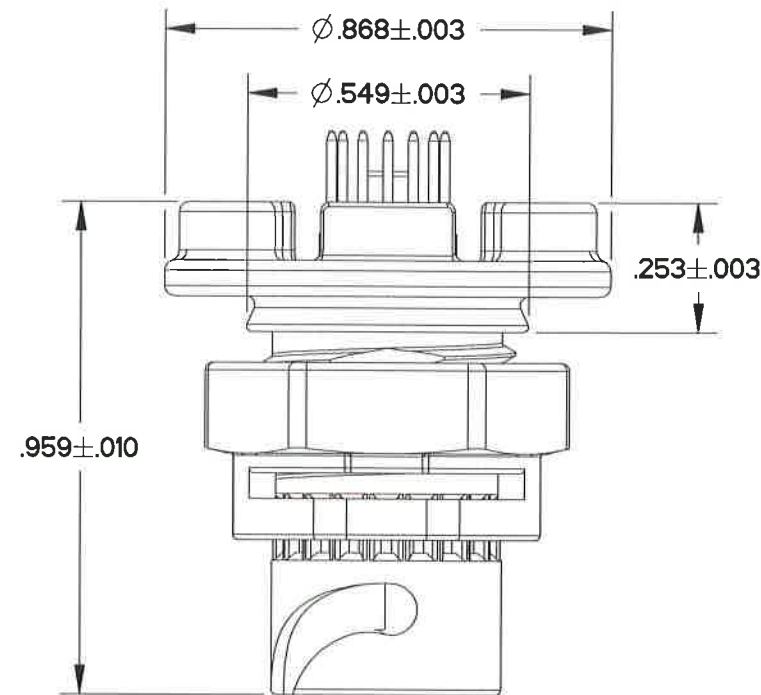
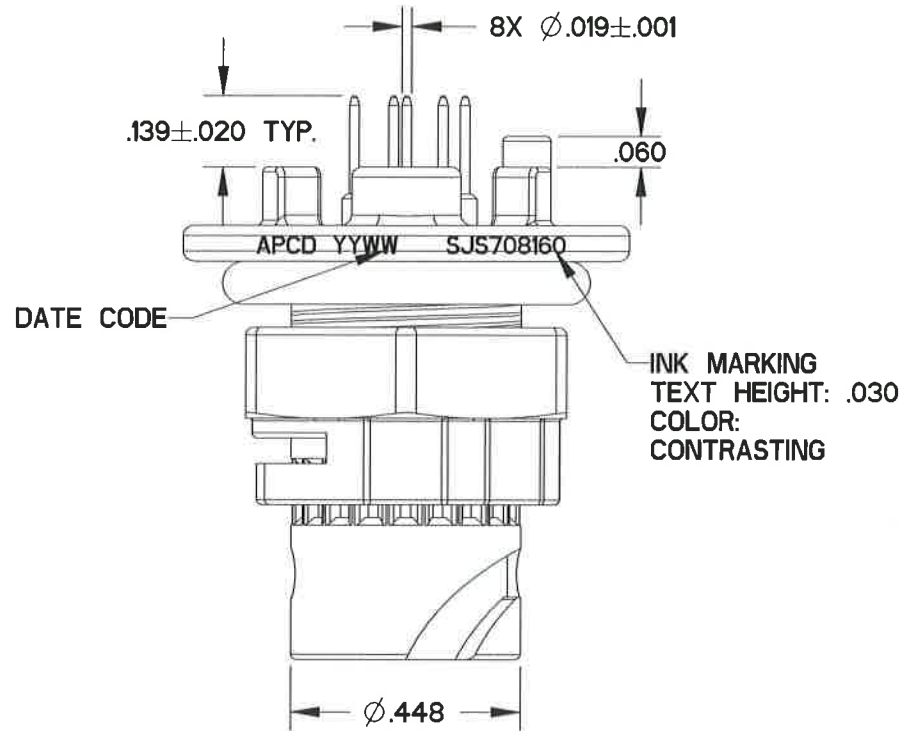
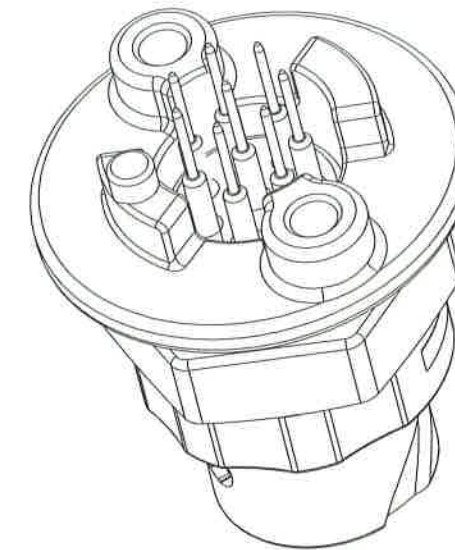
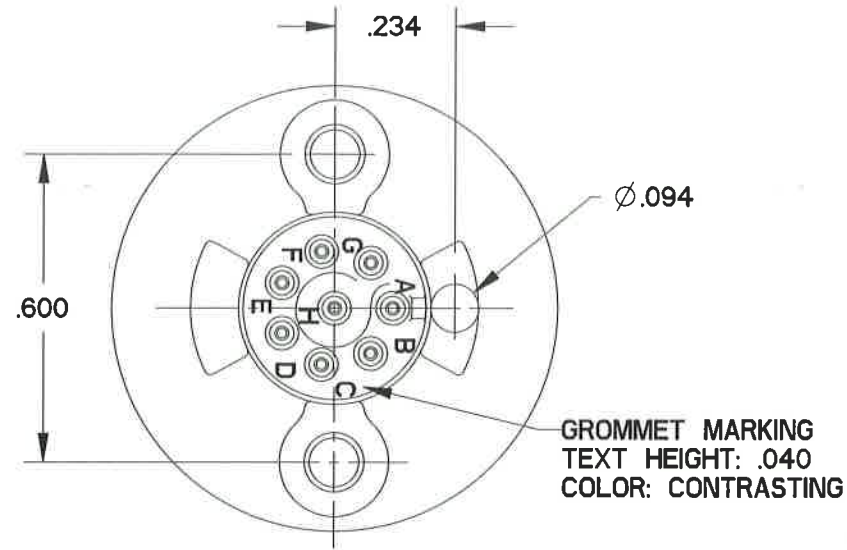
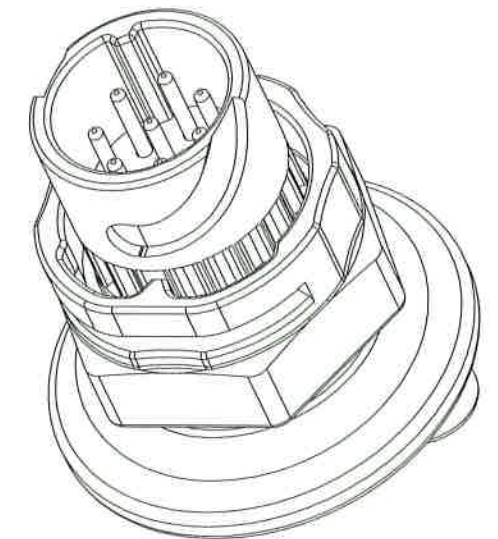


PART NUMBER	CONTACTS SUPPLIED	PART MARKING
SJS708160	NONE	SJS708160
SJS708161	(8) M39029/58-360	
SJS708162	(8) CNP831033	

REV	ECN	APP'D
-	7655	<i>[Signature]</i>



O-RING NOT SHOWN FOR VERTICAL MOUNTING DIMENSION CLARIFICATION



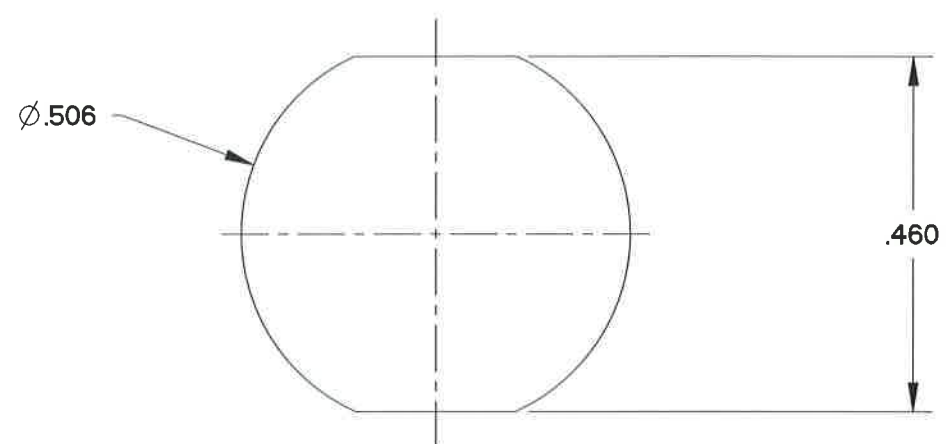
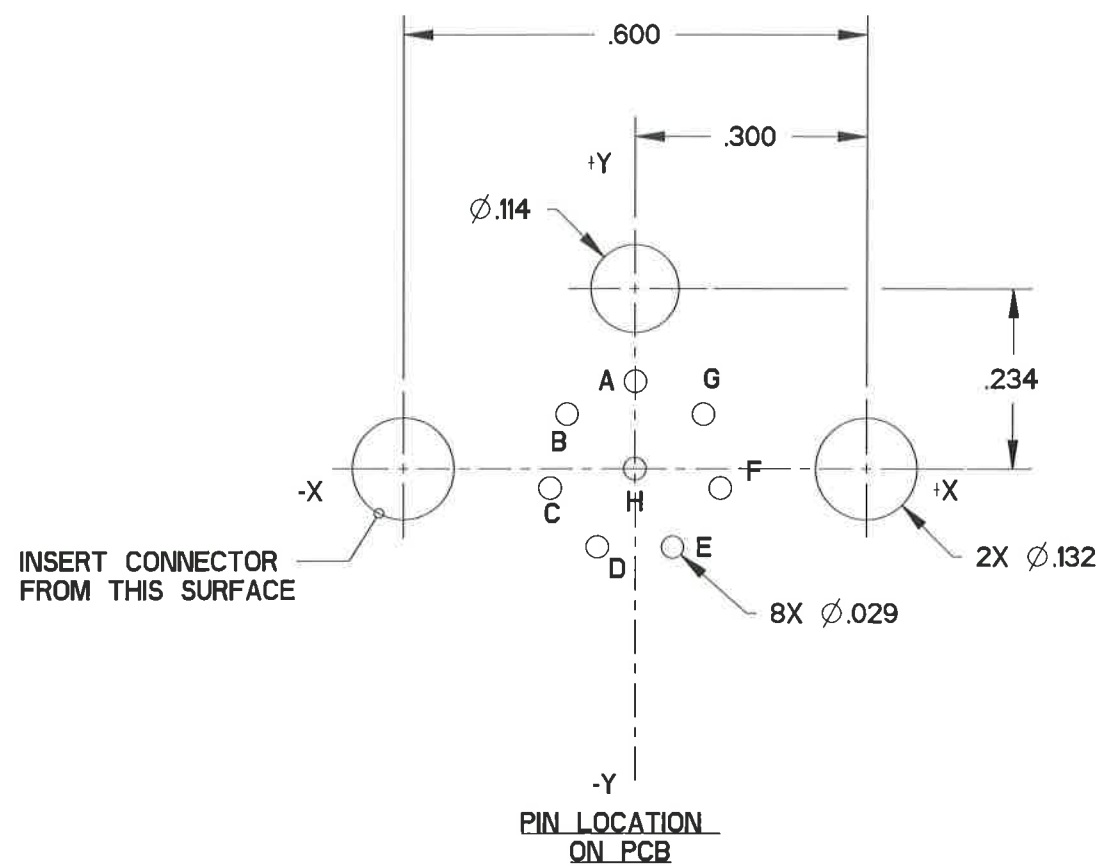
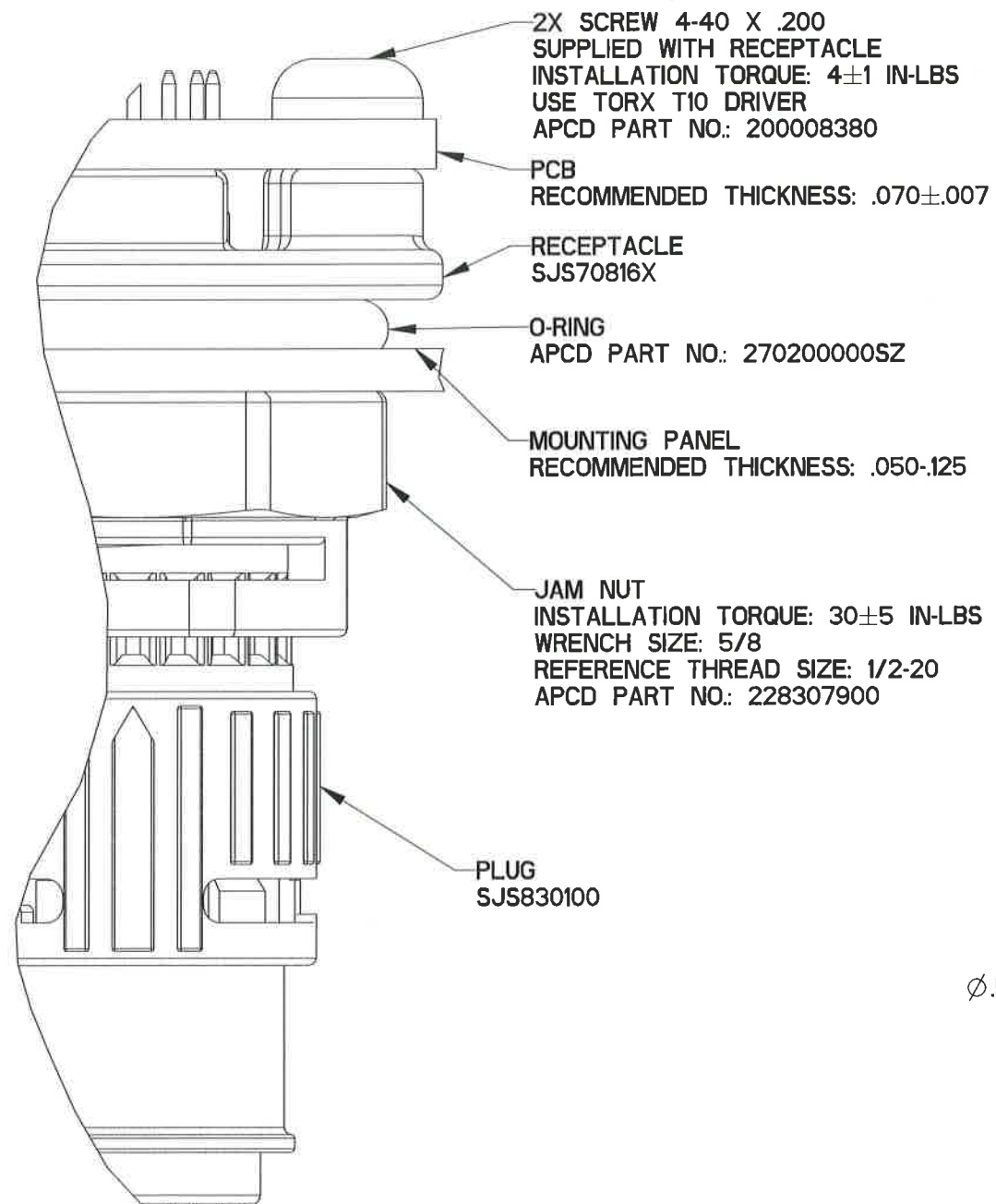
NOTES:

- MATERIALS:  
 OUTER HOUSING: POLYETHERIMIDE, COLOR: BLACK  
 INNER HOUSING: POLYETHERIMIDE, COLOR: BLACK  
 JAM NUT: PA6/6  
 CONTACT RETAINER: STAINLESS STEEL  
 O-RING: SILICONE RUBBER PER A-A-59588  
 GROMMET: SILICONE RUBBER PER A-A-59588
- PART ACCEPTS M39029/58-360 PIN CONTACTS (-0 + -1) OR PC TAIL CONTACTS AS SHOWN (-2)
- PARTS MATES WITH SJS830100/SJS830101
- SUPPLIED WITH DUST CAP
- ESTIMATED WEIGHT:  
 5g (LESS CONTACTS) 6g (WITH PC TAIL CONTACTS)

DIMENSIONS	TOLERANCES	PROJECTION	TITLE	
ANSI Y14.5M UNITS: INCHES Pro/E FILE	.XX $\pm 0.01$ .XXX $\pm 0.005$ ANGLES $\pm 0.5^\circ$		Amphenol Pcd SPECIFICATION DRAWING	
ORIGINAL	THIS DOCUMENT CONTAINS PROPRIETARY INFORMATION WHICH IS THE CONFIDENTIAL PROPERTY OF AMPHENOL PCD INC., BEVERLY, MA	ENGR	ANDREW.WANG	Jan-30-15
		CHKD	<i>[Signature]</i>	12/7/15
		APPD	<i>[Signature]</i>	12/7/15
		SIZE	DWG NO.	REV
		B	SJS708160_C	-
		CODE: 58982	SCALE: 8:3	SHEET 1 OF 2

CONTACT HOLE LOCATIONS		
CONTACT ID	LOCATION	
	X AXIS	Y AXIS
A	0	.113
B	-.088	.070
C	-.110	-.025
D	-.049	-.102
E	.049	-.102
F	.110	-.025
G	.088	.070
H	0	0

PCB ARRANGEMENT  
RECOMMENDED DIMENSIONAL TOLERANCE  
XXX±.002



MOUNTING PANEL CUT OUT

SJS708160\_C

SJS708160\_C



SIZE <b>B</b>	DWG NO. <b>SJS708160_C</b>	REV -
CODE: 58982	SCALE: 4:1	SHEET 2 OF 2

## X-ON Electronics

Largest Supplier of Electrical and Electronic Components

*Click to view similar products for [Standard Circular Connector](#) category:*

*Click to view products by [Amphenol](#) manufacturer:*

Other Similar products are found below :

[5M2530B10P](#) [600259N006](#) [600273N007](#) [6134-336-13149](#) [6134-337-11149](#) [6134-337-2390](#) [6134-341-17149](#) [6280-4SG-516](#) [6280-7SG-3DC](#)  
[6290](#) [6291A](#) [66200A-10](#) [680-SMG](#) [681-PMG](#) [CXS3102A14S2P](#) [CXS3102A181S](#) [7251-6SG-300](#) [7271-6SG-300](#) [7282-3PG-300-CH3](#) [75-](#)  
[474014-05S](#) [75-474618-01S](#) [75-474618-04S](#) [799539-000](#) [MI8-SE](#) [805-005-07NF11-19PC](#) [805-005-07NF15-7PA](#) [8280-4PG-516](#) [8280-7PG-](#)  
[519](#) [8282-5PG-519](#) [836783-1](#) [MP-4102-25P-C](#) [862256-1](#) [864019-2](#) [866857-1](#) [867865-1](#) [PT01SP-14-18P](#) [PT08P-14-5S](#) [PTSF06SE-14-12S](#)  
[120-1833-000](#) [QCM019PC2DC012B](#) [1-2069279-1](#) [121583-0217](#) [121667-0020](#) [129591AU](#) [1000B BULK](#) [RD10A16-19-P6CS051/1](#)  
[RD10A20-31-P8CS051/1](#) [RD16A14-12-S6CS051/2](#) [1301240290](#) [1301240347](#) [1301860202](#)