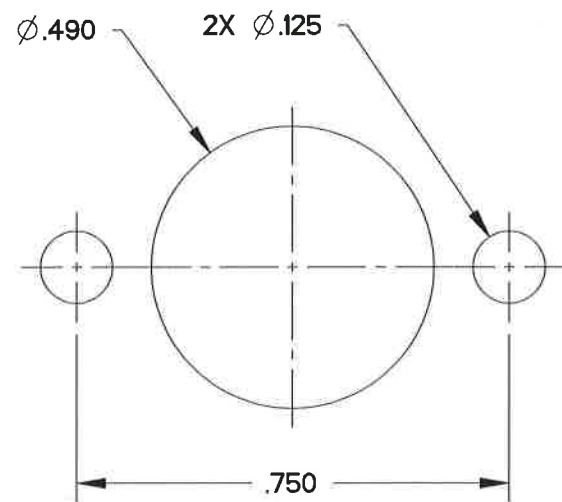
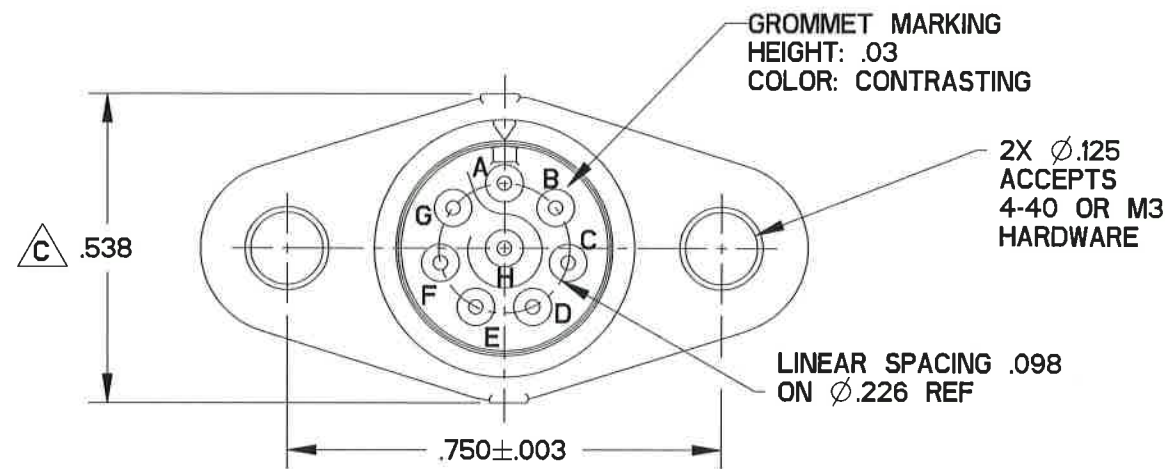
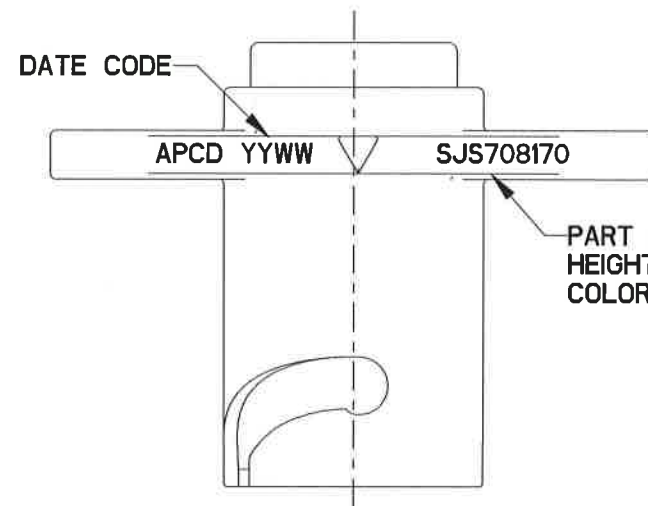


SJS708170

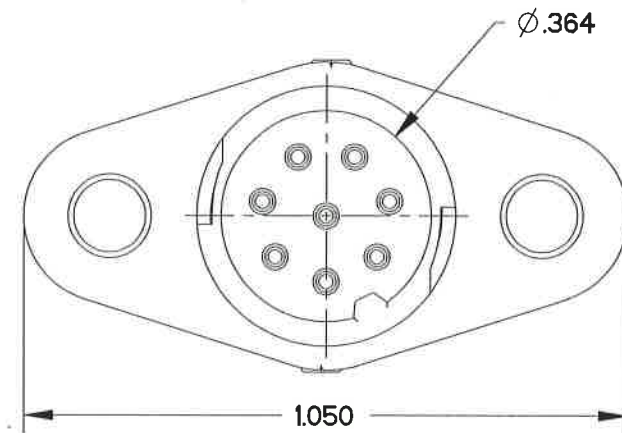
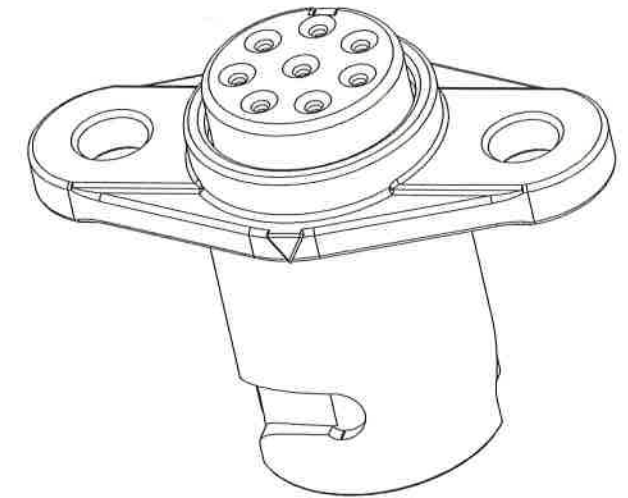
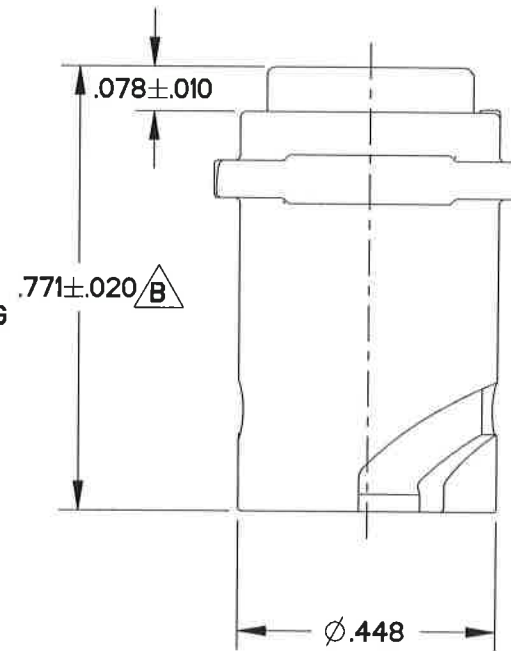
| REV | ECN | APP'D |
|-----|------|-------------|
| - | 7469 | JT 2/13/15 |
| A | 7471 | MD 2/19/15 |
| B | 7874 | JT 12/1/16 |
| C | 7896 | JT 12/20/16 |



RECOMMENDED PANEL CUTOUT



PART MARKING
HEIGHT: .03
COLOR: CONTRASTING



| APCD P/N | P/N MARKING | CONTACTS SUPPLIED |
|-----------|-------------|-------------------|
| SJS708170 | SJS708170 | NONE |
| SJS708171 | | (8) M39029/58-360 |

- NOTES:
- MATERIALS:
HOUSING: PEI, COLOR: BLACK
CONTACT RETAINER: STAINLESS STEEL
GROMMET: SILICONE RUBBER PER A-A-59588, COLOR: RED
 - ACCEPTS CONTACTS PER TABLE I
 - PART MATES WITH SJS830100/SJS831100
 - EST. WEIGHT: 3.4 GRAMS
 - SUPPLIED WITH DUST CAP

| DIMENSIONS | TOLERANCES | PROJECTION | Amphenol Pcd SPECIFICATION DRAWING | |
|--|--|------------|---------------------------------------|--|
| ANSI Y14.5M UNITS: INCHES Pro/E FILE | .XX ±0.01 .XXX ±0.005 ANGLES ±2.0° | | ENGR A.HIEN May-29-14 | |
| ORIGINAL | THIS DOCUMENT CONTAINS PROPRIETARY INFORMATION WHICH IS THE CONFIDENTIAL PROPERTY OF AMPHENOL PCD INC., BEVERLY, MA | CHKD | 12/20/16 | |
| | | APPD | 12/20/16 | |

| TITLE | | | |
|--|------------|---------|------|
| 8 POS SIZE 22 RECEPTACLE, PANEL MOUNT, SJS OVAL FLANGE, SHELL SIZE 7 | | | |
| SIZE | DWG NO. | REV | |
| B | SJS708170 | C | |
| CODE: 58982 | SCALE: 3:1 | SHEET 1 | OF 1 |

SJS708170

SJS708170

X-ON Electronics

Largest Supplier of Electrical and Electronic Components

Click to view similar products for [Standard Circular Connector](#) category:

Click to view products by [Amphenol](#) manufacturer:

Other Similar products are found below :

[5M2530B10P](#) [600259N006](#) [600273N007](#) [6134-336-13149](#) [6134-337-11149](#) [6134-337-2390](#) [6134-341-17149](#) [6280-4SG-516](#) [6280-7SG-3DC](#)
[6290](#) [6291A](#) [66200A-10](#) [680-SMG](#) [681-PMG](#) [CXS3102A14S2P](#) [CXS3102A181S](#) [7251-6SG-300](#) [7271-6SG-300](#) [7282-3PG-300-CH3](#) [75-](#)
[474014-05S](#) [75-474618-01S](#) [75-474618-04P](#) [75-474618-04S](#) [799539-000](#) [MI8-SE](#) [805-005-07NF11-19PC](#) [805-005-07NF15-7PA](#) [8280-4PG-](#)
[516](#) [8280-7PG-519](#) [8282-5PG-519](#) [836783-1](#) [MP-4102-25P-C](#) [862256-1](#) [864019-2](#) [866857-1](#) [867865-1](#) [PT01SP-14-18P](#) [PT08P-14-5S](#)
[PTSF06SE-14-12S](#) [120-1833-000](#) [QCM019PC2DC012B](#) [1-2069279-1](#) [121583-0217](#) [121667-0020](#) [129591AU](#) [1000B BULK](#) [RD10A16-19-](#)
[P6CS051/1](#) [RD10A20-31-P8CS051/1](#) [RD16A14-12-S6CS051/2](#) [1301240290](#) [1301240347](#)