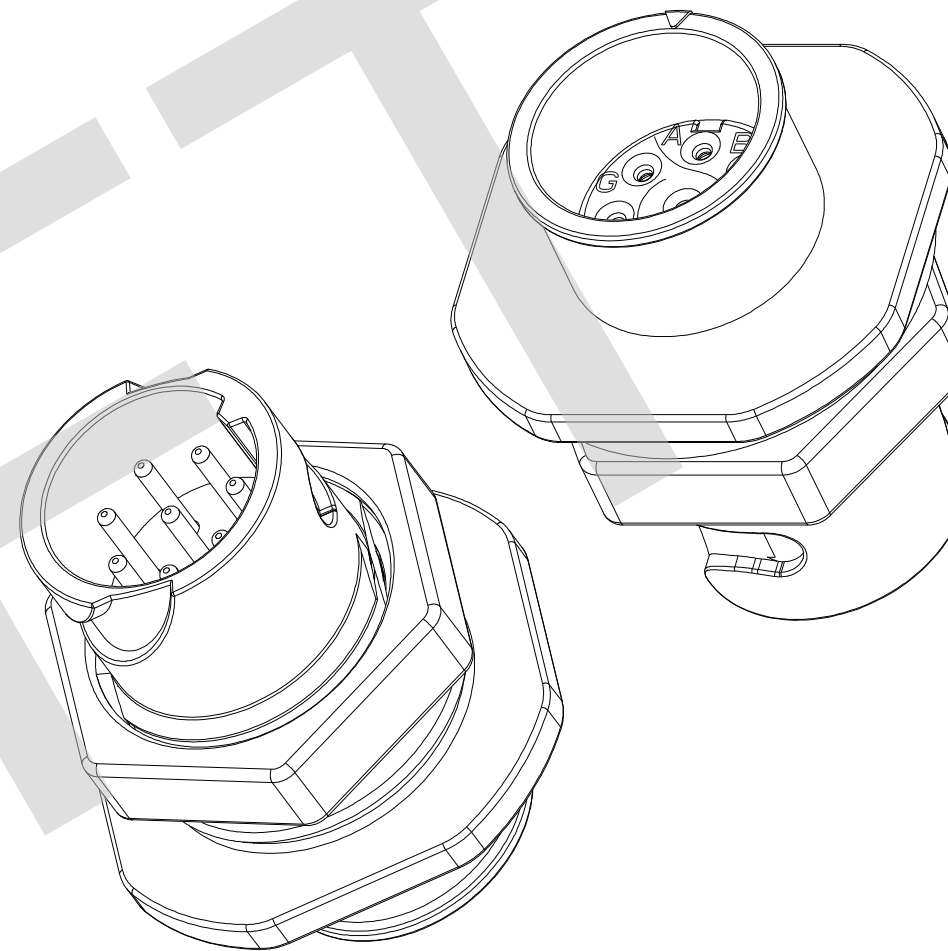
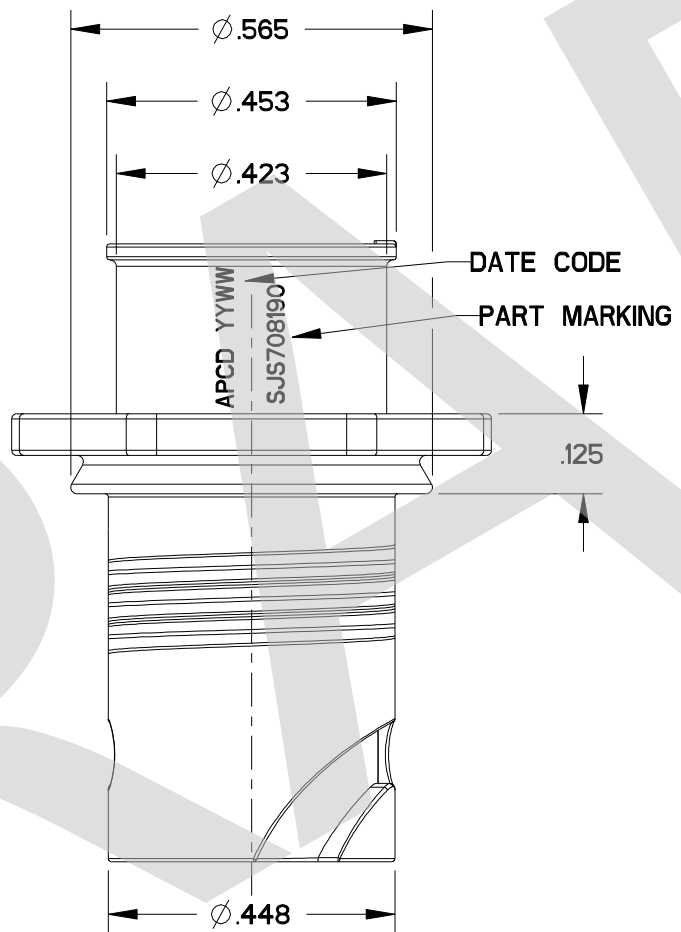
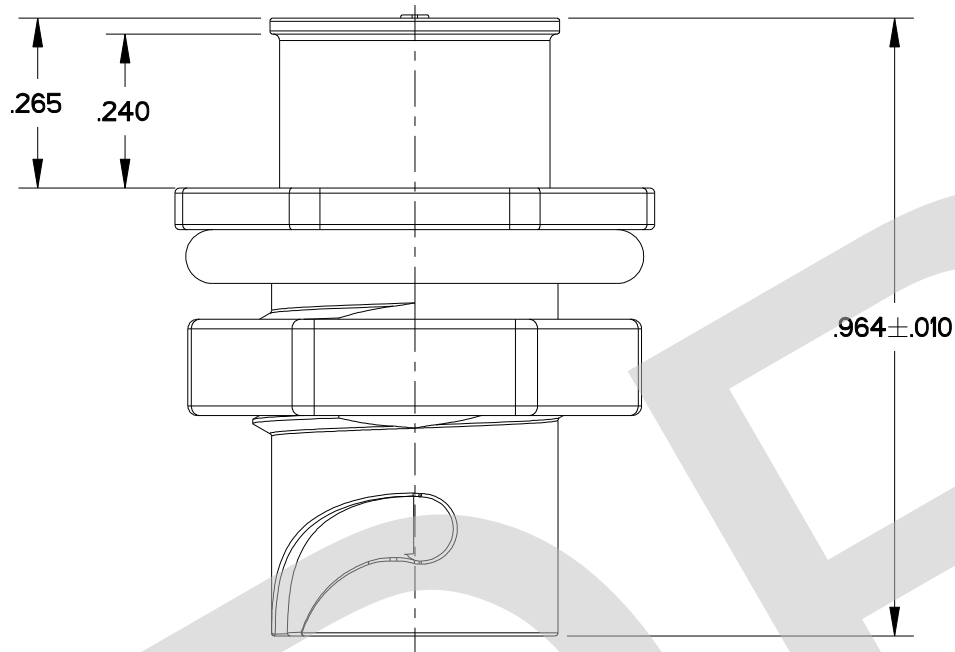
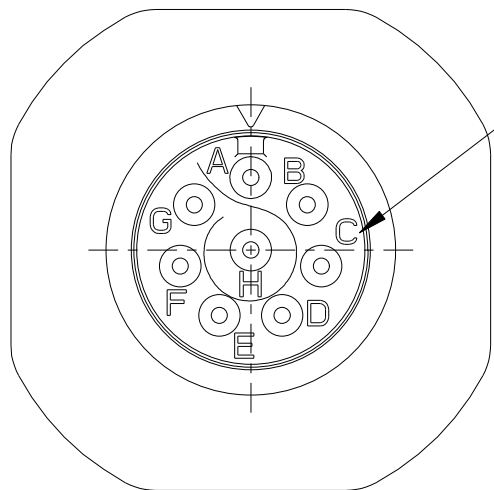


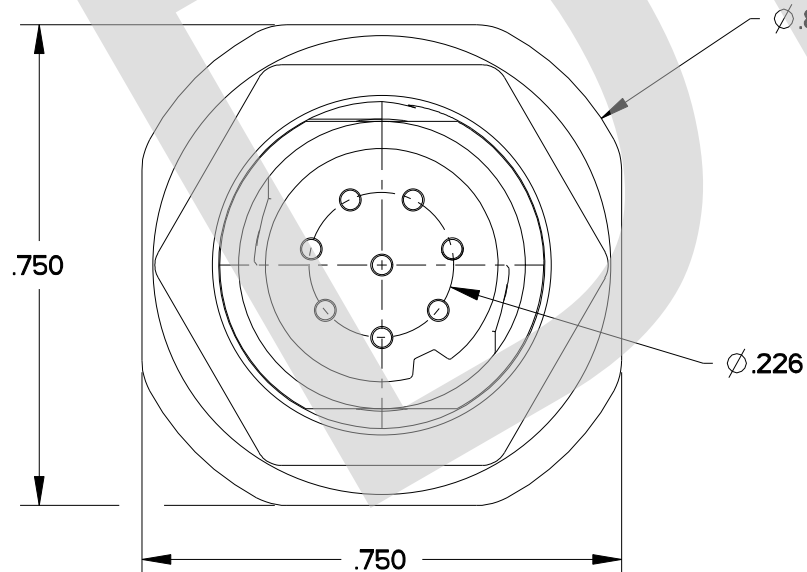
| REV | ECN | APP'D |
|-----|-----|-------|
| 3 | | |



1. MATERIALS:
HOUSING: POLYETHERIMIDE
CONTACT RETAINER: STAINLESS STEEL
NUT: STAINLESS STEEL, PASSIVATED
O-RING: SILICONE RUBBER
GROMMET: SILICONE RUBBER
2. PART ACCEPTS PIN CONTACTS PER TABLE I
3. PART MATES WITH SJS830100/SJS831100
4. SUPPLIED WITH DUST CAP
5. EST. WEIGHT: 3.8g

NUT & O-RING NOT SHOWN FOR DIMENSIONAL CLARITY

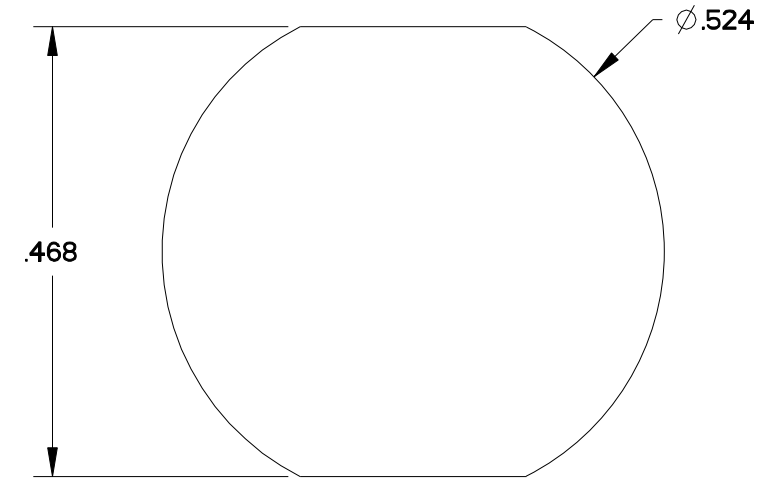
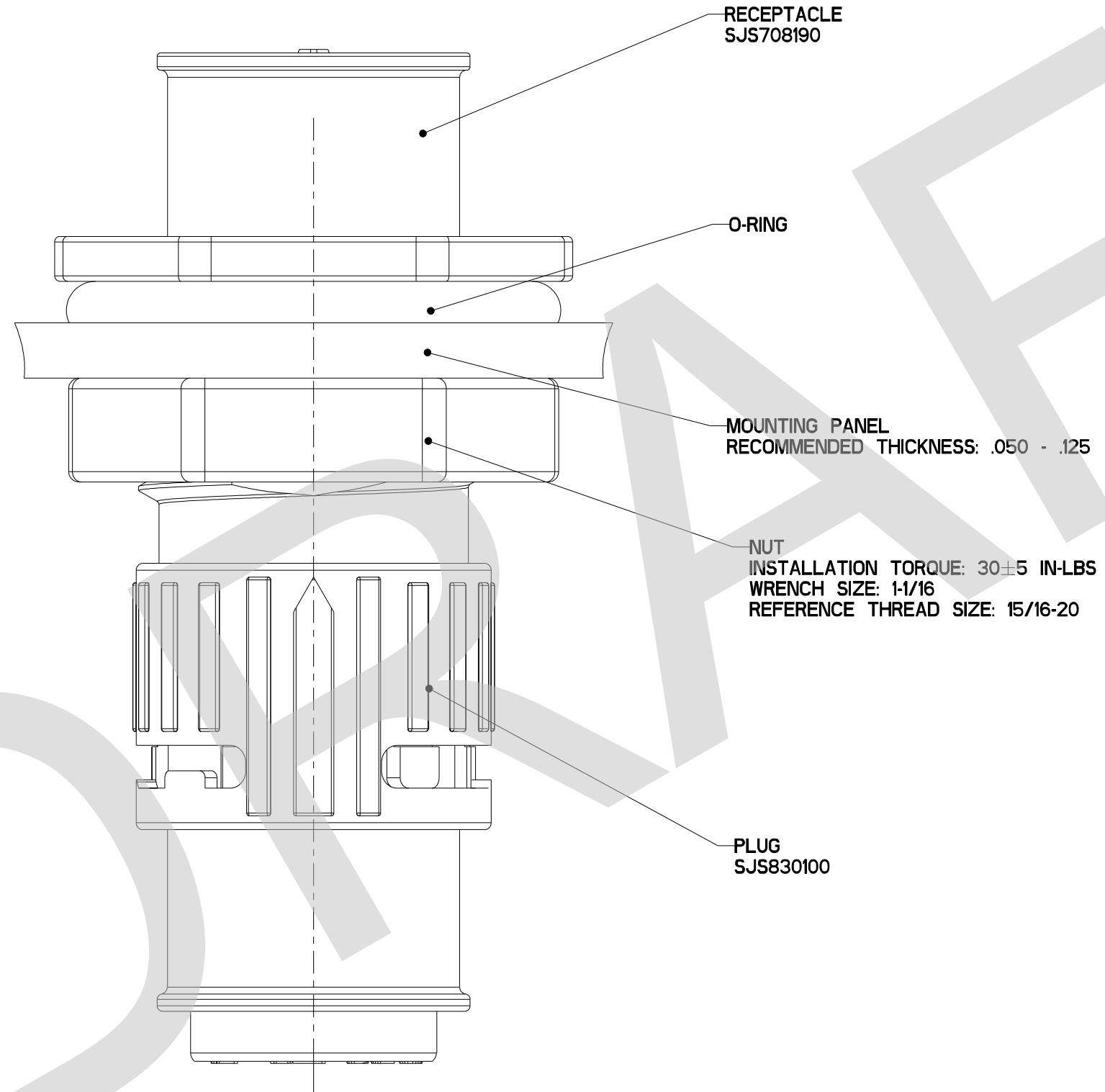
| APCD P/N | CONTACTS SUPPLIED | PART MARKING |
|-----------|-------------------|--------------|
| SJS708190 | NONE | SJS708190 |
| SJS708191 | (8) M39029/58-360 | |



| | | | | | | | |
|---|---|-----------------------|--|-----------|---|-------------------------------|-----------------|
| DIMENSIONS ANSI Y14.5M UNITS: INCHES Pro/E FILE | TOLERANCES .XX ±0.01 .XXX ±0.005 ANGLES ±2.0° | PROJECTION | Amphenol Pcd SPECIFICATION DRAWING | | TITLE SJS LUMINUS JAM NUT, FRONT MOUNT 8 POSITION SIZE 22/22D, SHELL SIZE 7 | | |
| | | | ENGR Rain.Wang | Mar-12-15 | SIZE B | DWG NO. SJS708190_C | REV 3 |
| | | | CHKD | | CODE: 58982 | SCALE: 10:3 | SHEET 1 OF 2 |
| ORIGINAL | THIS DOCUMENT CONTAINS PROPRIETARY INFORMATION WHICH IS THE CONFIDENTIAL PROPERTY OF AMPHENOL PCD INC., BEVERLY, MA | | APPD | | | | |

SJS708190.C

SJS708190.C



SCALE 5:1
MOUNTING PANEL CUT OUT

MOUNTING INSTRUCTIONS
SCALE 5:1

| | | |
|------------------|-------------------------------|-----------------|
| SIZE B | DWG NO. SJS708190_C | REV 3 |
| CODE: 58982 | SCALE: 10:3 | SHEET 2 OF 2 |

X-ON Electronics

Largest Supplier of Electrical and Electronic Components

Click to view similar products for [Standard Circular Connector](#) category:

Click to view products by [Amphenol](#) manufacturer:

Other Similar products are found below :

[5M2530B10P](#) [600259N006](#) [600273N007](#) [6134-336-13149](#) [6134-337-11149](#) [6134-337-2390](#) [6134-341-17149](#) [6280-4SG-516](#) [6280-7SG-3DC](#)
[6290](#) [6291A](#) [66200A-10](#) [680-SMG](#) [681-PMG](#) [CXS3102A14S2P](#) [CXS3102A181S](#) [7251-6SG-300](#) [7271-6SG-300](#) [7282-3PG-300-CH3](#) [75-](#)
[474014-05S](#) [75-474618-01S](#) [75-474618-04P](#) [75-474618-04S](#) [799539-000](#) [MI8-SE](#) [805-005-07NF11-19PC](#) [805-005-07NF15-7PA](#) [8280-4PG-](#)
[516](#) [8280-7PG-519](#) [8282-5PG-519](#) [836783-1](#) [MP-4102-25P-C](#) [862256-1](#) [864019-2](#) [866857-1](#) [867865-1](#) [PT01SP-14-18P](#) [PT08P-14-5S](#)
[PTSF06SE-14-12S](#) [120-1833-000](#) [QCM019PC2DC012B](#) [1-2069279-1](#) [121583-0217](#) [121667-0020](#) [129591AU](#) [1000B BULK](#) [RD10A16-19-](#)
[P6CS051/1](#) [RD10A20-31-P8CS051/1](#) [RD16A14-12-S6CS051/2](#) [1301240290](#) [1301240347](#)