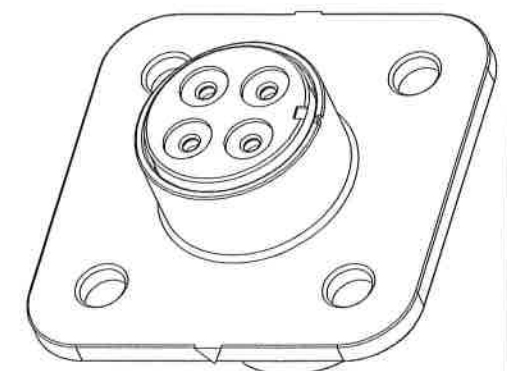
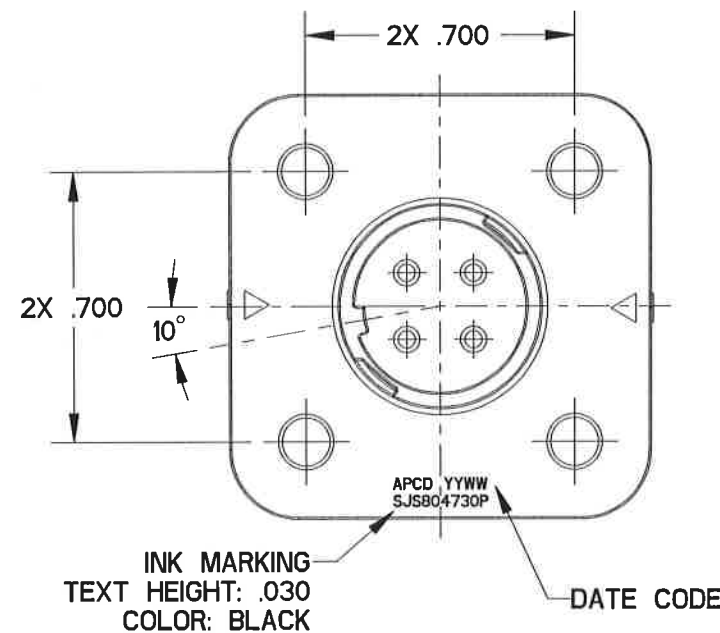
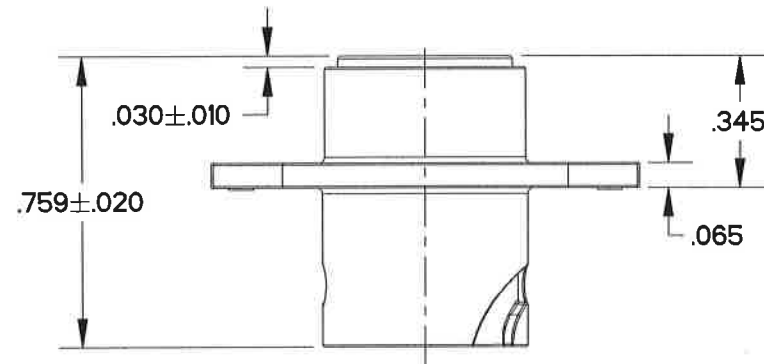
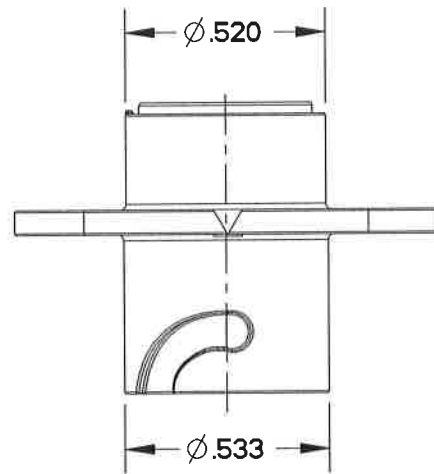
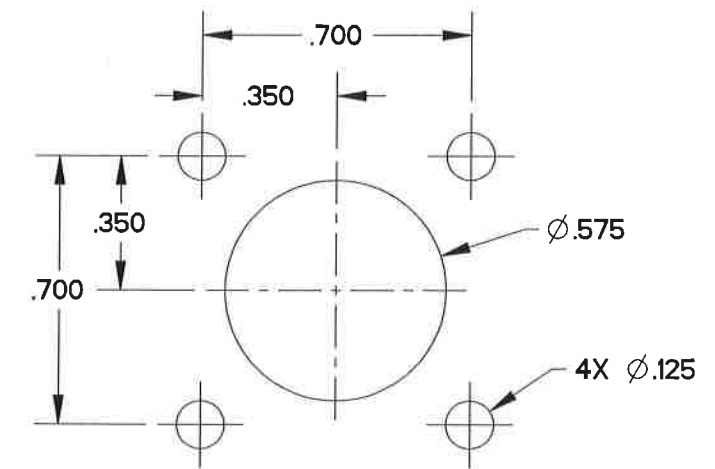
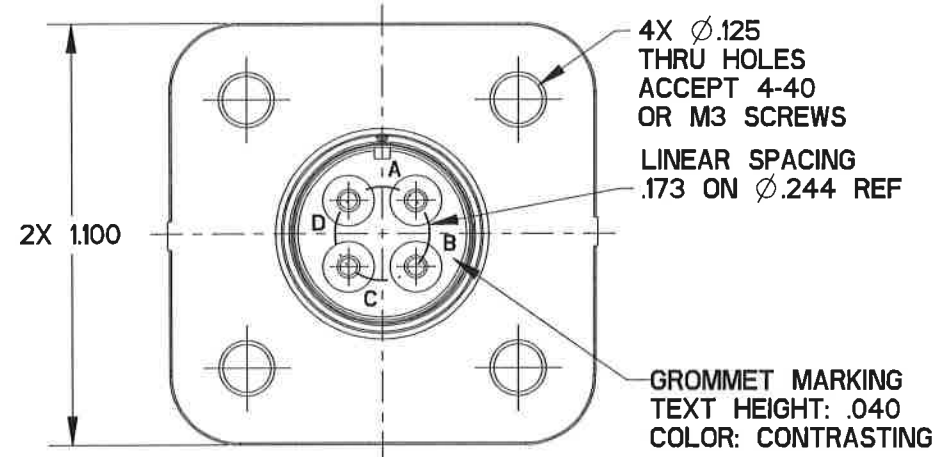


SJS804730P

REV	ECN	APP'D
-	7928	<i>1/26/17</i>

TABLE I - PART NUMBER SCHEME		
APCD P/N	CONTACTS SUPPLIED	PART MARKING
SJS804730P	NONE	SJS804730P
SJS804731P	(4) M39029/58-364	SJS804730P



NOTES:

- MATERIALS:
 HOUSING: POLYETHERIMIDE
 CONTACT RETAINER: STAINLESS STEEL
 GROMMET: SILICONE RUBBER PER A.A-59588, COLOR: RED
- FINISH:
 HOUSING: NICKEL, 200 MICROINCHES MINIMUM OVER COPPER, 100 MICROINCHES MINIMUM
- PART ACCEPTS CONTACTS PER TABLE I.
- PART MATES WITH SJS840410P/11P
- SUPPLIED WITH DUST CAP
- EST. WEIGHT: 2.7g

DIMENSIONS ANSI Y14.5M UNITS: INCHES Pro/E FILE	TOLERANCES .XX \pm 0.01 .XXX \pm 0.005 ANGLES \pm 2.0°	PROJECTION 	Amphenol Pcd SPECIFICATION DRAWING ENGR ANDREW.WANG Jun-13-16 CHKD <i>1/25/17</i> APPD <i>1/26/17</i>	TITLE PANEL MOUNT RECEPTACLE SHELL SIZE 8 SJS PEGASUS 4 POS SIZE 16
ORIGINAL	THIS DOCUMENT CONTAINS PROPRIETARY INFORMATION WHICH IS THE CONFIDENTIAL PROPERTY OF AMPHENOL PCD INC., BEVERLY, MA		SIZE B	DWG NO. SJS804730P
			CODE: 58982	SCALE: 2:1
			SHEET 1 OF 1	REV -

SJS804730P

SJS804730P

X-ON Electronics

Largest Supplier of Electrical and Electronic Components

Click to view similar products for [Standard Circular Connector](#) category:

Click to view products by [Amphenol](#) manufacturer:

Other Similar products are found below :

[5M2530B10P](#) [600259N006](#) [600273N007](#) [6134-336-13149](#) [6134-337-11149](#) [6134-337-2390](#) [6134-341-17149](#) [6280-4SG-516](#) [6280-7SG-3DC](#)
[6290](#) [6291A](#) [66200A-10](#) [680-SMG](#) [681-PMG](#) [CXS3102A14S2P](#) [CXS3102A181S](#) [7251-6SG-300](#) [7271-6SG-300](#) [7282-3PG-300-CH3](#) [75-](#)
[474014-05S](#) [75-474618-01S](#) [75-474618-04P](#) [75-474618-04S](#) [799539-000](#) [MI8-SE](#) [805-005-07NF11-19PC](#) [805-005-07NF15-7PA](#) [8280-4PG-](#)
[516](#) [8280-7PG-519](#) [8282-5PG-519](#) [836783-1](#) [MP-4102-25P-C](#) [862256-1](#) [864019-2](#) [866857-1](#) [867865-1](#) [PT01SP-14-18P](#) [PT08P-14-5S](#)
[PTSF06SE-14-12S](#) [120-1833-000](#) [QCM019PC2DC012B](#) [1-2069279-1](#) [121583-0217](#) [121667-0020](#) [129591AU](#) [1000B BULK](#) [RD10A16-19-](#)
[P6CS051/1](#) [RD10A20-31-P8CS051/1](#) [RD16A14-12-S6CS051/2](#) [1301240290](#) [1301240347](#)