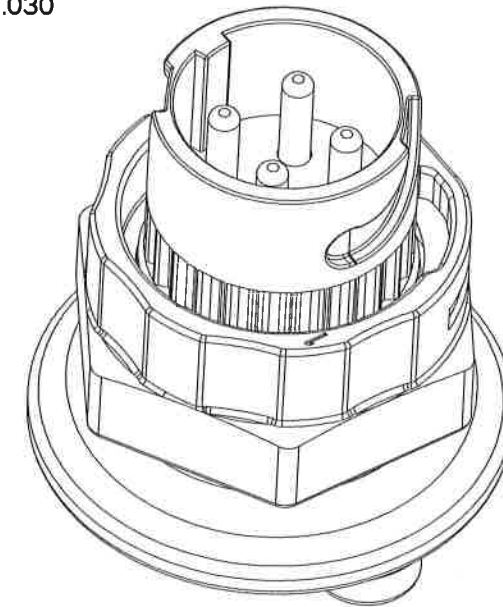
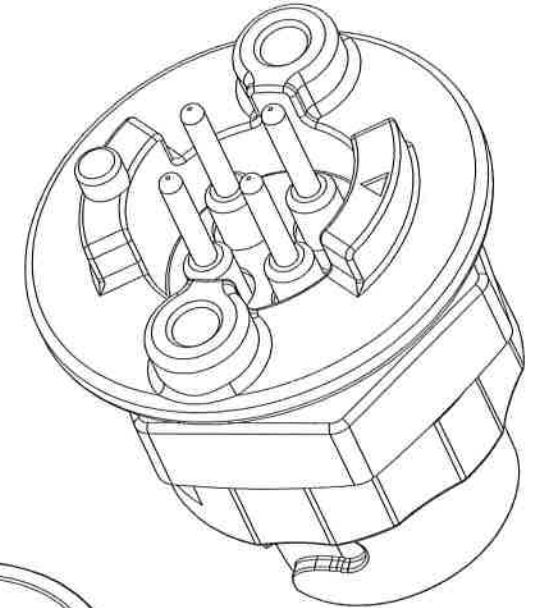
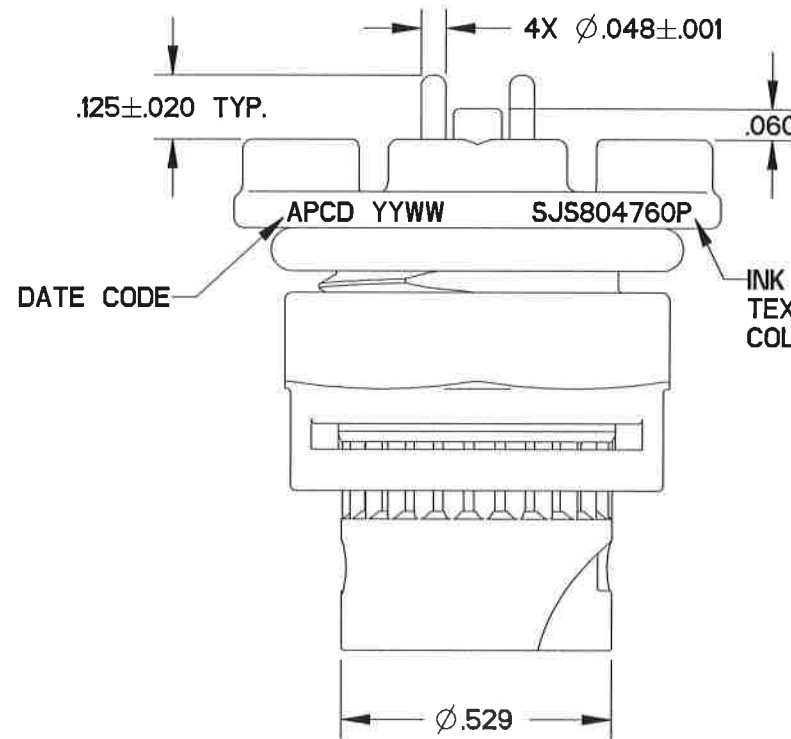
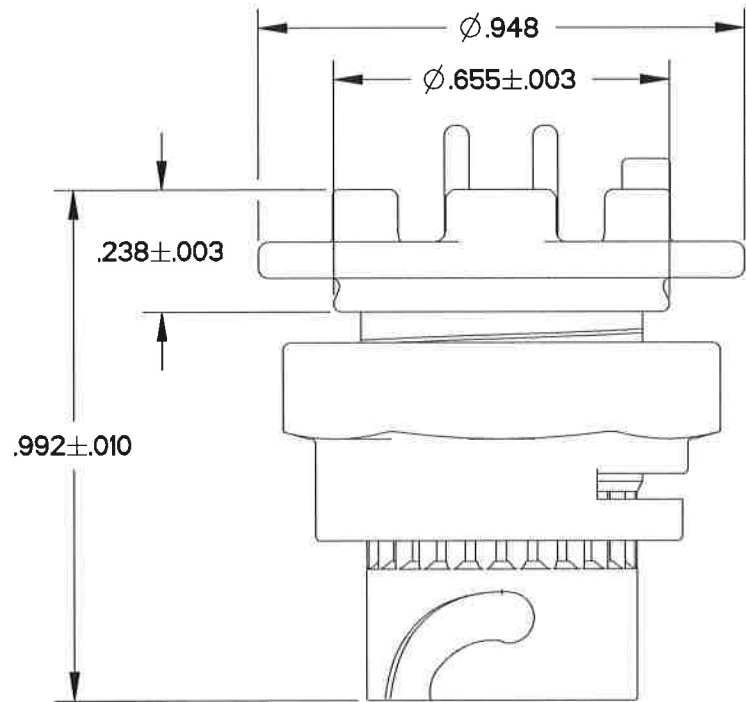
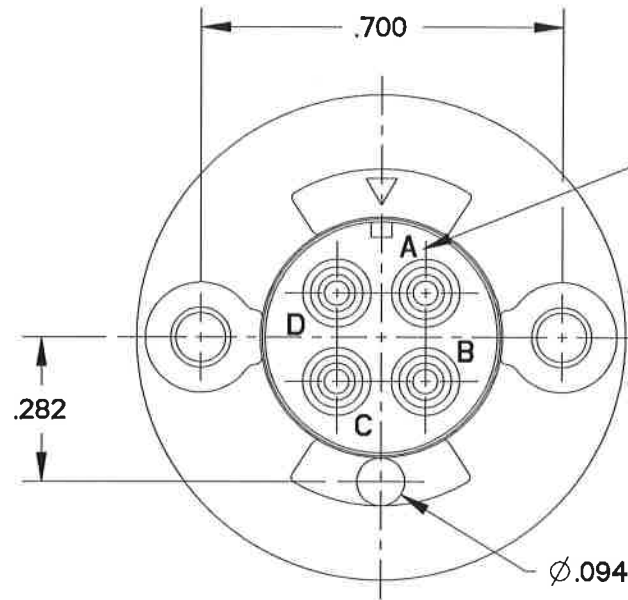


SJS804760P

REV	ECN	APP'D
-	7815	ST 8/29/16

TABLE I - PART NO. SCHEME		
APCD P/N	CONTACTS SUPPLIED	PART MARKING
SJS804760P	NONE	SJS804760P
SJS804761P	(4) M39029/58-364	
SJS804762P	(4) CNP8310160	



- NOTES:
- MATERIALS:  
 OUTER HOUSING: POLYETHERIMIDE  
 INNER HOUSING: POLYETHERIMIDE  
 JAM NUT: PA66  
 CONTACT RETAINER: STAINLESS STEEL  
 O-RING: CONDUCTIVE SILICONE RUBBER  
 GROMMET: SILICONE RUBBER PER A.A-59588
  - FINISH:  
 OUTER HOUSING: NICKEL, 200 MICROINCHES MINIMUM  
 OVER COPPER, 120 MICROINCHES MINIMUM
  - ACCEPTS M39029/58-364 PIN CONTACTS (-1)  
 OR PC TAIL CONTACTS AS SHOWN(-2)
  - MATES WITH SJS840410P/11P
  - SUPPLIED WITH DUST CAP
  - THE PRODUCT ESTIMATED WEIGHT:  
 6.5g(LESS CONTACTS) 7.5g (WITH PC TAIL CONTACTS)

O-RING NOT SHOWN FOR VERTICAL MOUNTING DIMENSION CLARIFICATION

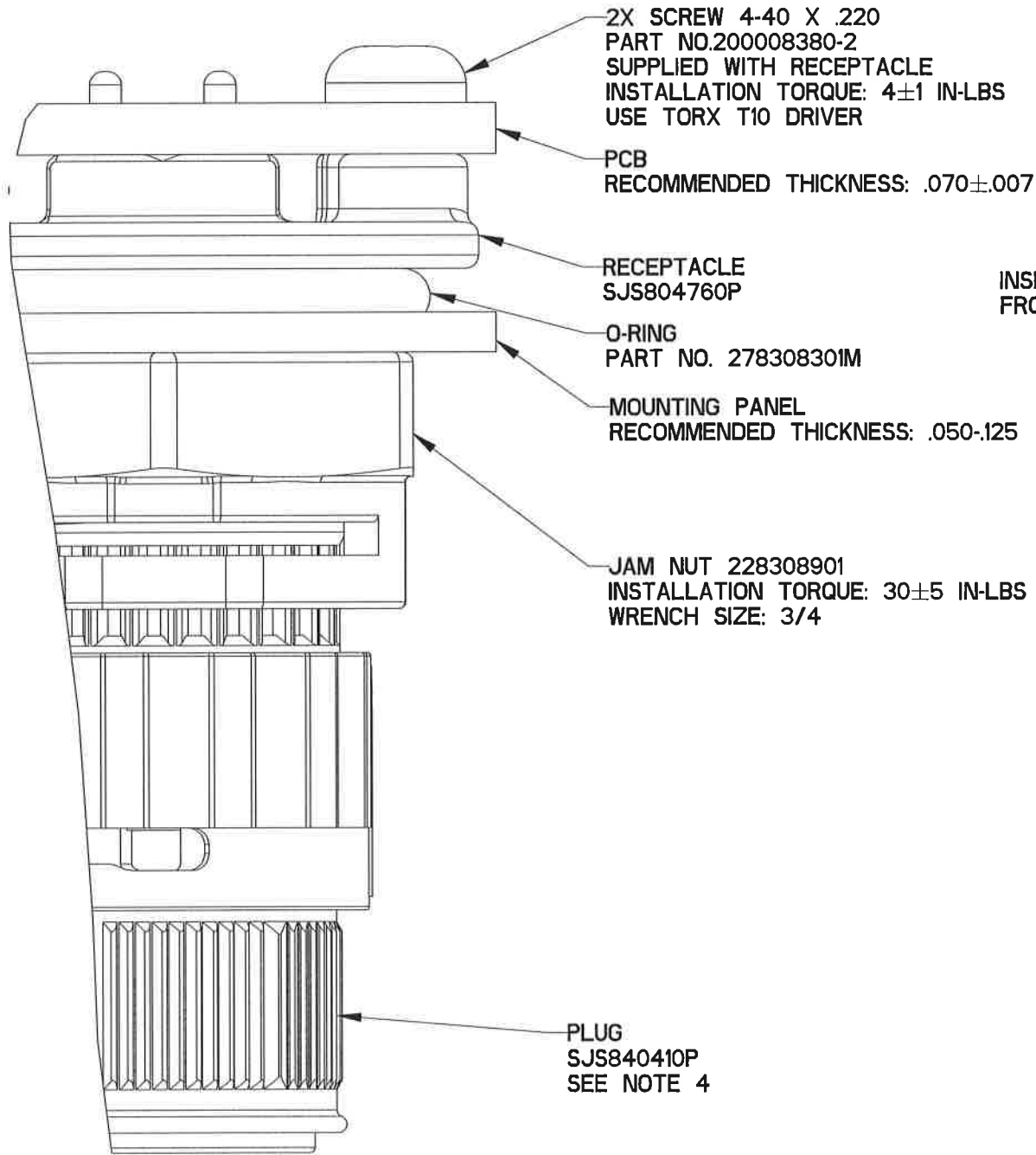
DIMENSIONS ANSI Y14.5M UNITS: INCHES Pro/E FILE	TOLERANCES .XX ±0.01 .XXX ±0.005 ANGLES ±2.0°	PROJECTION 	Amphenol Pcd SPECIFICATION DRAWING		TITLE JAM NUT RECEPTACLE SHELL SIZE 8 SJS PEGASUS 4 POS SIZE 16	
			ENGR ANDREW.WANG May-10-16	SIZE B	DWG NO. SJS804760P	REV -
ORIGINAL	THIS DOCUMENT CONTAINS PROPRIETARY INFORMATION WHICH IS THE CONFIDENTIAL PROPERTY OF AMPHENOL PCD INC., BEVERLY, MA		CHKD 	APPD 	CODE: 58982	SCALE: 8:3
					SHEET 1 OF 2	

SJS804760P

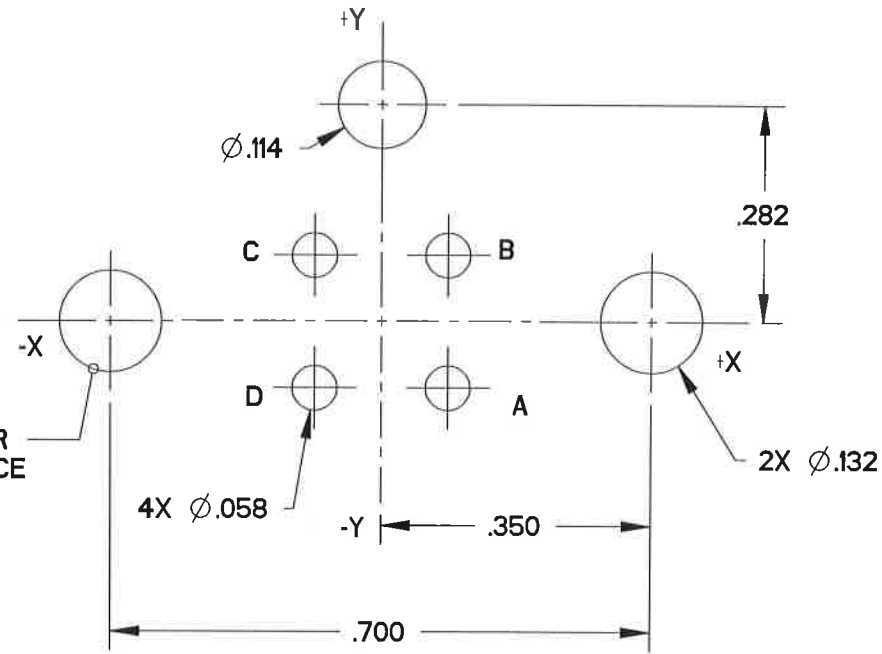
SJS804760P

CONTACT HOLE LOCATIONS		
CONTACT NUMBER	LOCATION	
	X AXIS	Y AXIS
A	.0863	-.0863
B	.0863	.0863
C	-.0863	.0863
D	-.0863	-.0863

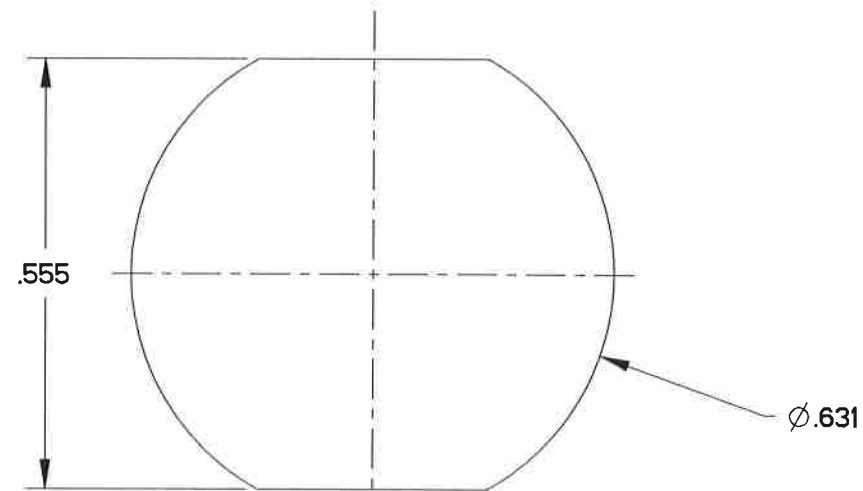
PCB ARRANGEMENT  
RECOMMENDED DIMENSIONAL TOLERANCE  
.XXX±.002



INSERT CONNECTOR FROM THIS SURFACE



PIN LOCATION ON PCB



MOUNTING PANEL CUT OUT

SJS804760P

SJS804760P

SIZE <b>B</b>	DWG NO. <b>SJS804760P</b>	REV -
CODE: 58982	SCALE: 4:1	SHEET 2 OF 2

## X-ON Electronics

Largest Supplier of Electrical and Electronic Components

*Click to view similar products for [Standard Circular Connector](#) category:*

*Click to view products by [Amphenol](#) manufacturer:*

Other Similar products are found below :

[5M2530B10P](#) [600259N006](#) [600273N007](#) [6134-336-13149](#) [6134-337-11149](#) [6134-337-2390](#) [6134-341-17149](#) [6280-4SG-516](#) [6280-7SG-3DC](#)  
[6290](#) [6291A](#) [66200A-10](#) [680-SMG](#) [681-PMG](#) [CXS3102A14S2P](#) [CXS3102A181S](#) [7251-6SG-300](#) [7271-6SG-300](#) [7282-3PG-300-CH3](#) [75-](#)  
[474014-05S](#) [75-474618-01S](#) [75-474618-04P](#) [75-474618-04S](#) [799539-000](#) [MI8-SE](#) [805-005-07NF11-19PC](#) [805-005-07NF15-7PA](#) [8280-4PG-](#)  
[516](#) [8280-7PG-519](#) [8282-5PG-519](#) [836783-1](#) [MP-4102-25P-C](#) [862256-1](#) [864019-2](#) [866857-1](#) [867865-1](#) [PT01SP-14-18P](#) [PT08P-14-5S](#)  
[PTSF06SE-14-12S](#) [120-1833-000](#) [QCM019PC2DC012B](#) [1-2069279-1](#) [121583-0217](#) [121667-0020](#) [129591AU](#) [1000B BULK](#) [RD10A16-19-](#)  
[P6CS051/1](#) [RD10A20-31-P8CS051/1](#) [RD16A14-12-S6CS051/2](#) [1301240290](#) [1301240347](#)