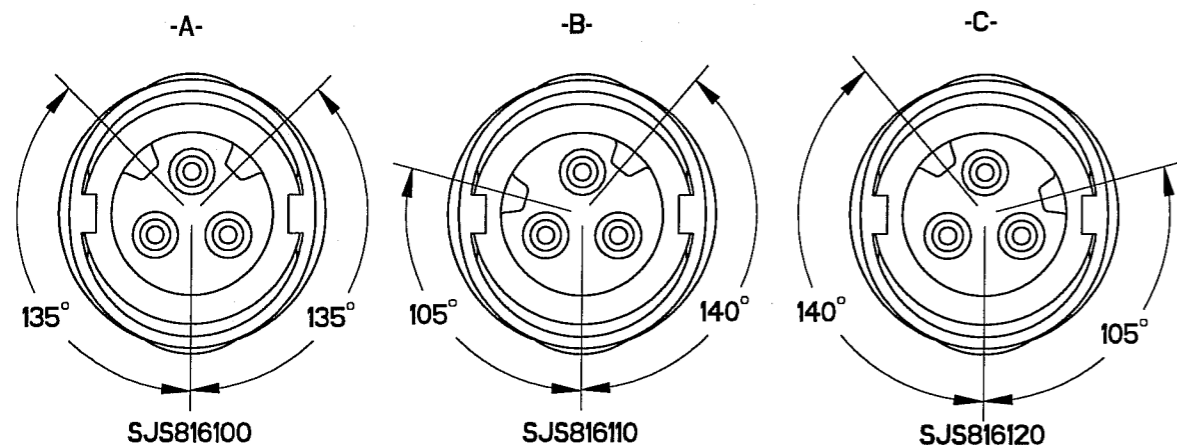
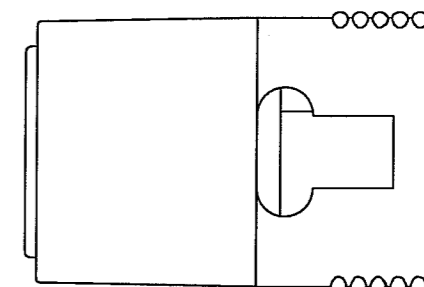
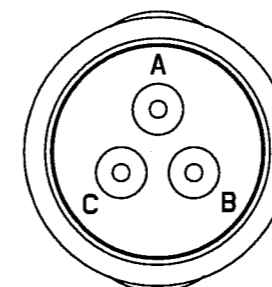
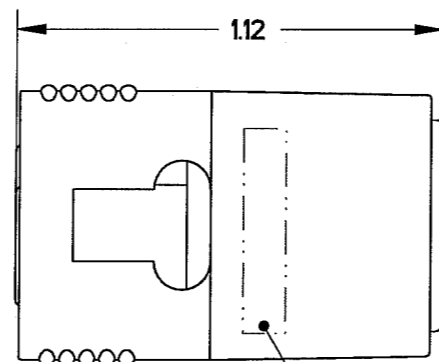
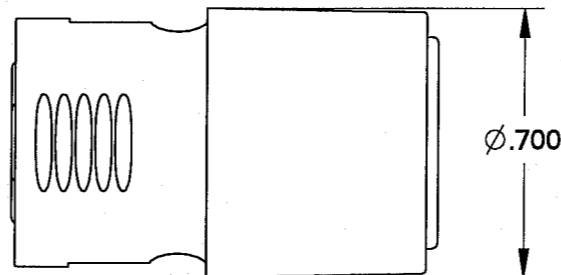
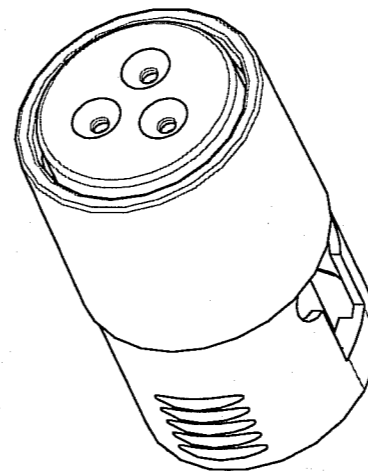


REV	ECN	DESCRIPTION	APP'D
-	5791		JT 04/11/06
A	5951		J. TON
B	6109	NOTE CHANGE	<i>JT 8/29/07</i>

NOTES:

- MATERIALS:**
 HOUSING: PA 6/6
 CONTACT RETAINER: STAINLESS STEEL
 GROMMET: SILICONE RUBBER PER A-A-59588
- OPERATING RANGE:**
 TEMPERATURE: -55 °C TO 95 °C
 INSULATION RESISTANCE: 5000 MEGOHMS MINIMUM
 DIELECTRIC WITHSTANDING VOLTAGE: 1500 VRMS SEA LEVEL
 600 VRMS @ 45,000 FT. ALTITUDE

 CURRENT RATING: 13 AMPS
 VIBRATION: PER EIA-364D METHOD 28, TEST CONDITION V.
 ALTITUDE IMMERSION: EIA-364-D METHOD 3 @ 55,000 FT
 (FORMERLY MIL-STD-1344 METHOD 1044)
- ACCEPTS (3) M39029/56-352 SOCKET CONTACT (NOT INCLUDED)
- CONTACT RETENTION - 20 LBS EACH
- MATES WITH SJS816200



KEY CONFIGURATION SEE TABLE 1

PART MARKING AS FOLLOWS: DATE CODE
 APCD YYWW
 SJS8161XX

SEE TABLE 1 FOR FULL PART NUMBERS

TABLE 1 - PART# SCHEME		
APCD PART#	KEY	COLOR
SJS816100	A	RED
SJS816110	B	WHITE
SJS816120	C	BLUE

DIMENSIONS ANSI Y14.5M UNITS: INCHES Pro/E FILE	TOLERANCES .XX ±0.01 .XXX ±0.005 ANGLES ±10°	PROJECTION 	Amphenol Pcd SPECIFICATION DRAWING ENGR S. STONE 01/27/06			TITLE IN-LINE JUNCTION TRIPLE WIRE, SIZE 16 PLUG		
			ORIGINAL 	THIS DOCUMENT CONTAINS PROPRIETARY INFORMATION WHICH IS THE CONFIDENTIAL PROPERTY OF AMPHENOL PCD INC., PEABODY, MA CHKD <i>Chip 8/29/07</i> APPD <i>JT 8/29/07</i>		SIZE B	DWG NO. SJS816100	REV B

X-ON Electronics

Largest Supplier of Electrical and Electronic Components

Click to view similar products for [Standard Circular Connector](#) category:

Click to view products by [Amphenol](#) manufacturer:

Other Similar products are found below :

[5M2530B10P](#) [600259N006](#) [600273N007](#) [6134-336-13149](#) [6134-337-11149](#) [6134-337-2390](#) [6134-341-17149](#) [6280-4SG-516](#) [6280-7SG-3DC](#)
[6290](#) [6291A](#) [66200A-10](#) [680-SMG](#) [681-PMG](#) [CXS3102A14S2P](#) [CXS3102A181S](#) [7251-6SG-300](#) [7271-6SG-300](#) [7282-3PG-300-CH3](#) [75-](#)
[474014-05S](#) [75-474618-01S](#) [75-474618-04S](#) [799539-000](#) [MI8-SE](#) [805-005-07NF11-19PC](#) [805-005-07NF15-7PA](#) [8280-4PG-516](#) [8280-7PG-](#)
[519](#) [8282-5PG-519](#) [836783-1](#) [MP-4102-25P-C](#) [862256-1](#) [864019-2](#) [866857-1](#) [867865-1](#) [PT01SP-14-18P](#) [PT08P-14-5S](#) [PTSF06SE-14-12S](#)
[120-1833-000](#) [QCM019PC2DC012B](#) [1-2069279-1](#) [121583-0217](#) [121667-0020](#) [129591AU](#) [1000B BULK](#) [RD10A16-19-P6CS051/1](#)
[RD10A20-31-P8CS051/1](#) [RD16A14-12-S6CS051/2](#) [1301240290](#) [1301240347](#) [1301860202](#)