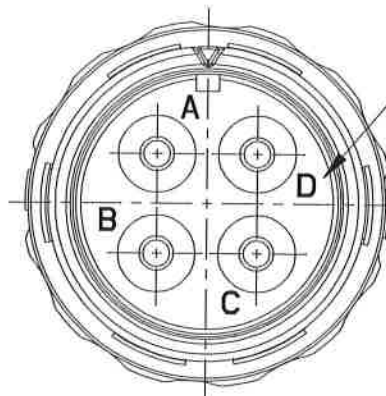


SJS840410P

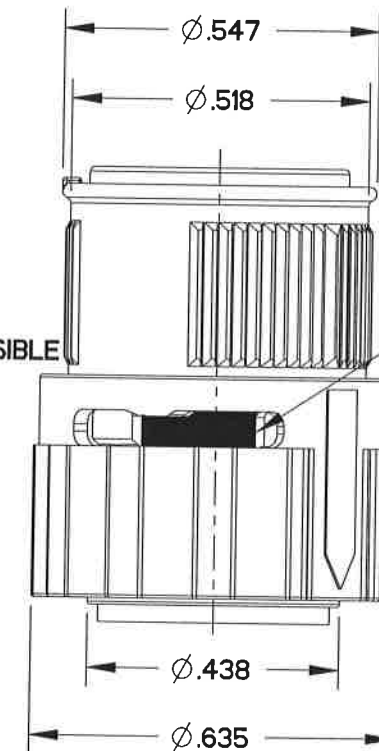
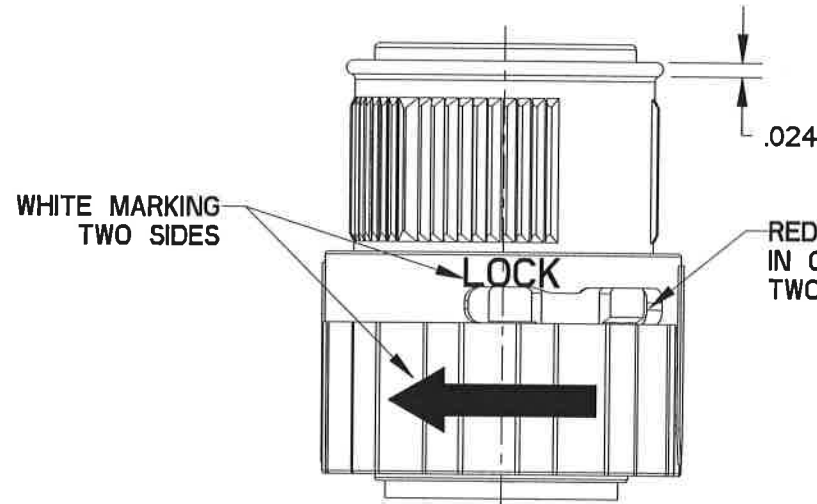
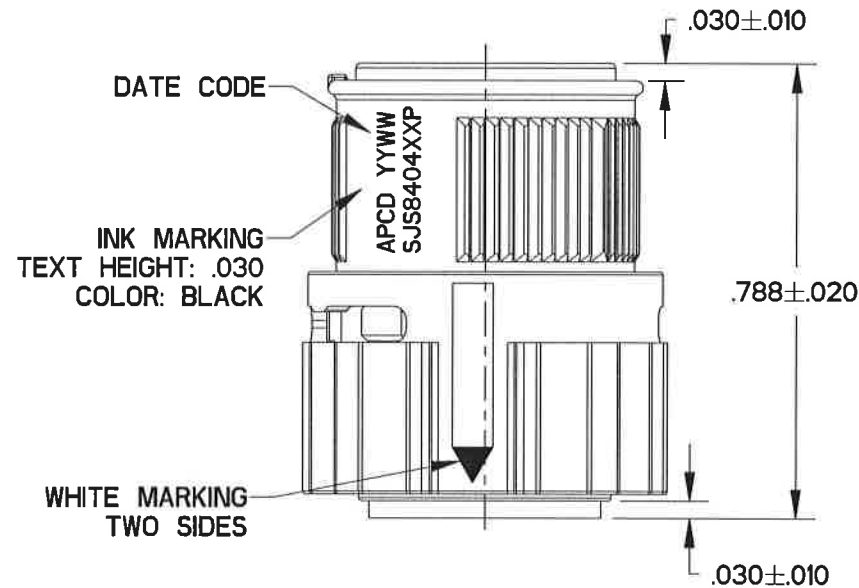
TABLE I - PART NO. SCHEME

APCD P/N	CONTACTS SUPPLIED	KEY CONFIGURATION	MATING RECEPTACLE	PART MARKING
SJS840410P	NONE	KEY A	SJS840400P/401P	SJS840410P
SJS840411P	(4) M39029/57-358		SJS804760P/761P/762P SJS804790P/791P	
SJS840440P	NONE	KEY B	SJS840450P/451P	SJS840440P
SJS840441P	(4) M39029/57-358			

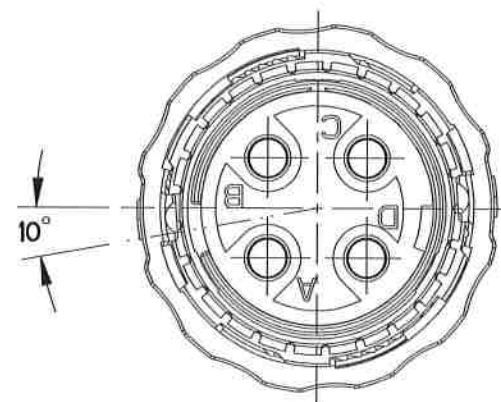
REV	ECN	APP'D
-	7815	<i>8/28/16</i>



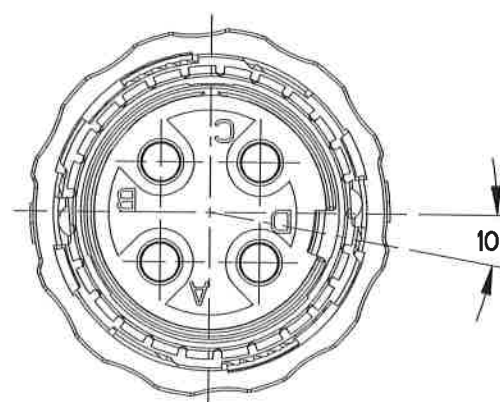
GROMMET MARKING
TEXT HEIGHT: .040
COLOR: CONTRASTING



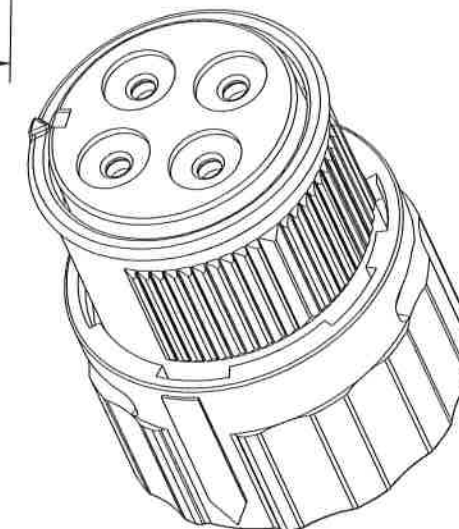
RED MARKING VISIBLE
IN OPEN POSITION
TWO SIDES



KEY B



KEY A



NOTES:

- MATERIAL:
OUTER HOUSING: POLYETHERIMIDE.
INNER HOUSING: POLYETHERIMIDE.
COUPLING NUT: PA66.
CONTACT RETAINER: STAINLESS STEEL.
EMI SPRING: BERYLLIUM COPPER
GROMMET: SILICONE RUBBER PER A-A-59588
- FINISH:
OUTER HOUSING: NICKEL, 200 MICROINCHES MINIMUM
OVER COPPER, 120 MICROINCHES MINIMUM
EMI SPRING: NICKEL, 100 MICROINCHES MINIMUM
- ACCEPTS M39029/57-358 SOCKET CONTACTS
- ESTIMATED WEIGHT: 3.5g
- SUPPLIED WITH DUST CAP.

DIMENSIONS	TOLERANCES	PROJECTION	TITLE	
ANSI Y14.5M UNITS: INCHES Pro/E FILE	.XX ±0.01 .XXX ±0.005 ANGLES ±2.0°		Amphenol Pcd SPECIFICATION DRAWING ENGR ANDREW.WANG May-09-16 CHKD <i>M. Wang</i> 8/26/16 APPD <i>Andrew Wang</i> 8/28/16	
ORIGINAL	THIS DOCUMENT CONTAINS PROPRIETARY INFORMATION WHICH IS THE CONFIDENTIAL PROPERTY OF AMPHENOL PCD INC., BEVERLY, MA		SIZE B	DWG NO. SJS840410P REV -
			CODE: 58982	SCALE: 3:1 SHEET 1 OF 1

SJS840410P

SJS840410P

X-ON Electronics

Largest Supplier of Electrical and Electronic Components

Click to view similar products for [Standard Circular Connector](#) category:

Click to view products by [Amphenol](#) manufacturer:

Other Similar products are found below :

[5M2530B10P](#) [600259N006](#) [600273N007](#) [6134-336-13149](#) [6134-337-11149](#) [6134-337-2390](#) [6134-341-17149](#) [6280-4SG-516](#) [6280-7SG-3DC](#)
[6290](#) [6291A](#) [66200A-10](#) [680-SMG](#) [681-PMG](#) [CXS3102A14S2P](#) [CXS3102A181S](#) [7251-6SG-300](#) [7271-6SG-300](#) [7282-3PG-300-CH3](#) [75-](#)
[474014-05S](#) [75-474618-01S](#) [75-474618-04P](#) [75-474618-04S](#) [799539-000](#) [MI8-SE](#) [805-005-07NF11-19PC](#) [805-005-07NF15-7PA](#) [8280-4PG-](#)
[516](#) [8280-7PG-519](#) [8282-5PG-519](#) [836783-1](#) [MP-4102-25P-C](#) [862256-1](#) [864019-2](#) [866857-1](#) [867865-1](#) [PT01SP-14-18P](#) [PT08P-14-5S](#)
[PTSF06SE-14-12S](#) [120-1833-000](#) [QCM019PC2DC012B](#) [1-2069279-1](#) [121583-0217](#) [121667-0020](#) [129591AU](#) [1000B BULK](#) [RD10A16-19-](#)
[P6CS051/1](#) [RD10A20-31-P8CS051/1](#) [RD16A14-12-S6CS051/2](#) [1301240290](#) [1301240347](#)