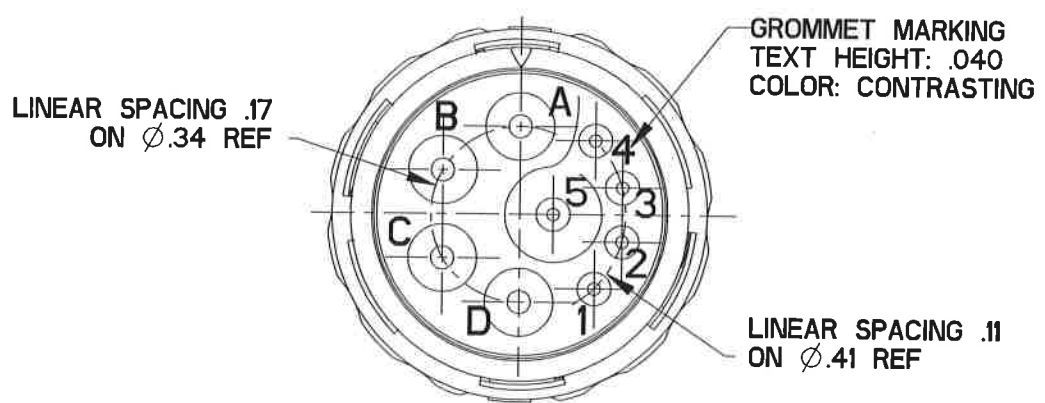


TABLE I - PART NUMBER SCHEME		
APCD P/N	CONTACTS SUPPLIED	PART MARKING
SJS860910P	NONE	SJS860910P
SJS860911P	(5) M39029/57-354 (4) M39029/57-358	
SJS860917P	(5) M39029/57-354 (3) M39029/57-358 (1) COAX M39029/78-432	

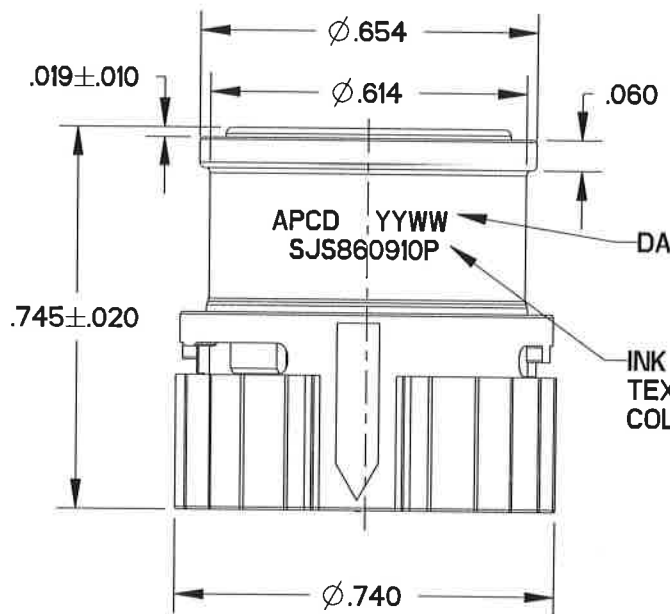
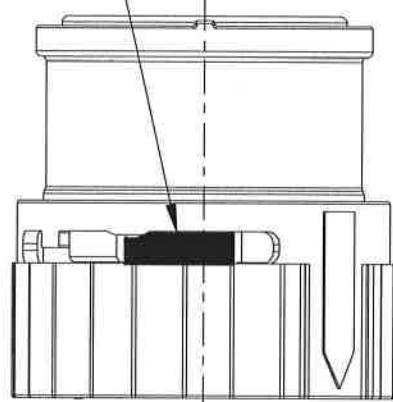
REV	ECN	APP'D
-	7636	JT 10/21/15
A	7893	JT 12/22/16

A

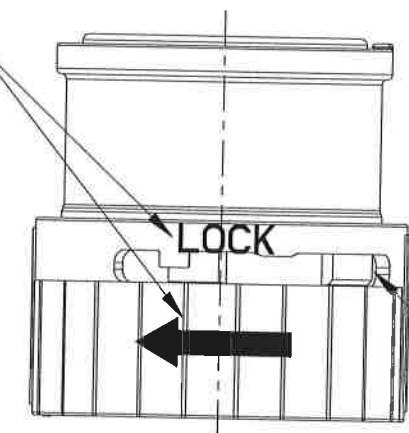
SJS860910P



RED MARKING VISIBLE IN OPEN POSITION TWO SIDES

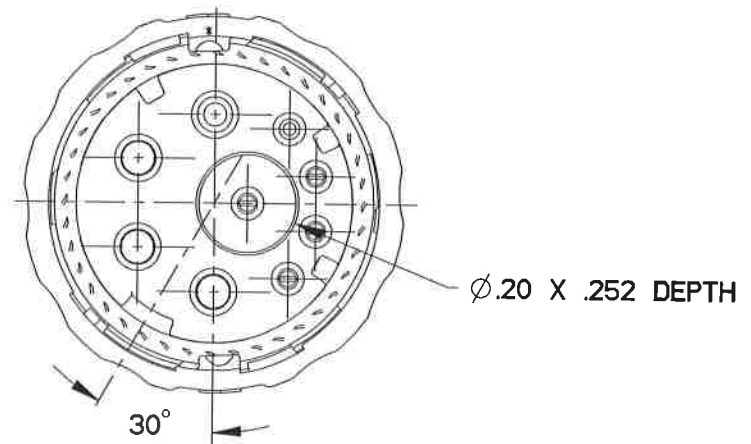


WHITE MARKING TWO SIDES



RED MARKING NOT VISIBLE IN CLOSED POSITION TWO SIDES

INK MARKING
TEXT HEIGHT: .040
COLOR: BLACK



NOTES:

- MATERIALS:
HOUSING: POLYETHERIMIDE
CONTACT RETAINER: STAINLESS STEEL
GROMMET: SILICONE RUBBER PER A-A-59588
COUPLING NUT: PA66
EMI SPRING: BERYLLIUM COPPER
- FINISH:
HOUSING: NICKEL 200 MICROINCHES MINIMUM
OVER COPPER, 120 MICROINCHES MINIMUM
EMI SPRING: NICKEL, 100 MICROINCHES MINIMUM.
- PART ACCEPTS SOCKET CONTACTS PER M39029/57-354 & M39029/57-358
- PART MATES WITH SJS860900P/901P & SJS0AA730P/731P/737P
- WEIGHT: 3.5 GRAMS
- SUPPLIED WITH DUST CAP

DIMENSIONS	TOLERANCES	PROJECTION	Amphenol Pcd SPECIFICATION DRAWING		TITLE INLINE PLUG SHELL SIZE 10 SJS PEGASUS 4 POS SIZE 16 & 5 POS SIZE 22		
ANSI Y14.5M UNITS: INCHES Pro/E FILE	.XX ±0.01 .XXX ±0.005 ANGLES ±1.0°		ENGR Rain.Wang Jul-02-15		SIZE B	DWG NO. SJS860910P	REV A
ORIGINAL	THIS DOCUMENT CONTAINS PROPRIETARY INFORMATION WHICH IS THE CONFIDENTIAL PROPERTY OF AMPHENOL PCD INC., BEVERLY, MA		CHKD 	12/22/16	CODE: 58982	SCALE: 8:3	SHEET 1 OF 1

SJS860910P

SJS860910P

X-ON Electronics

Largest Supplier of Electrical and Electronic Components

Click to view similar products for [Standard Circular Connector](#) category:

Click to view products by [Amphenol](#) manufacturer:

Other Similar products are found below :

[5M2530B10P](#) [600259N006](#) [600273N007](#) [6134-336-13149](#) [6134-337-11149](#) [6134-337-2390](#) [6134-341-17149](#) [6280-4SG-516](#) [6280-7SG-3DC](#)
[6290](#) [6291A](#) [66200A-10](#) [680-SMG](#) [681-PMG](#) [CXS3102A14S2P](#) [CXS3102A181S](#) [7251-6SG-300](#) [7271-6SG-300](#) [7282-3PG-300-CH3](#) [75-](#)
[474014-05S](#) [75-474618-01S](#) [75-474618-04P](#) [75-474618-04S](#) [799539-000](#) [MI8-SE](#) [805-005-07NF11-19PC](#) [805-005-07NF15-7PA](#) [8280-4PG-](#)
[516](#) [8280-7PG-519](#) [8282-5PG-519](#) [836783-1](#) [MP-4102-25P-C](#) [862256-1](#) [864019-2](#) [866857-1](#) [867865-1](#) [PT01SP-14-18P](#) [PT08P-14-5S](#)
[PTSF06SE-14-12S](#) [120-1833-000](#) [QCM019PC2DC012B](#) [1-2069279-1](#) [121583-0217](#) [121667-0020](#) [129591AU](#) [1000B BULK](#) [RD10A16-19-](#)
[P6CS051/1](#) [RD10A20-31-P8CS051/1](#) [RD16A14-12-S6CS051/2](#) [1301240290](#) [1301240347](#)