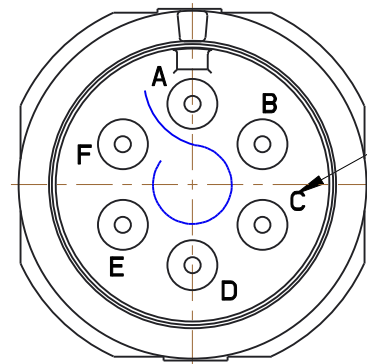
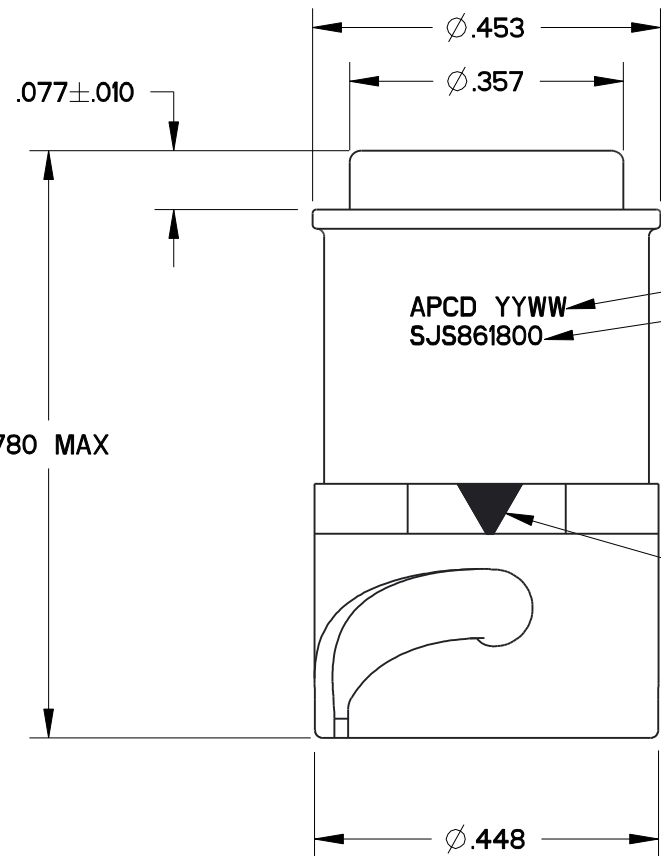
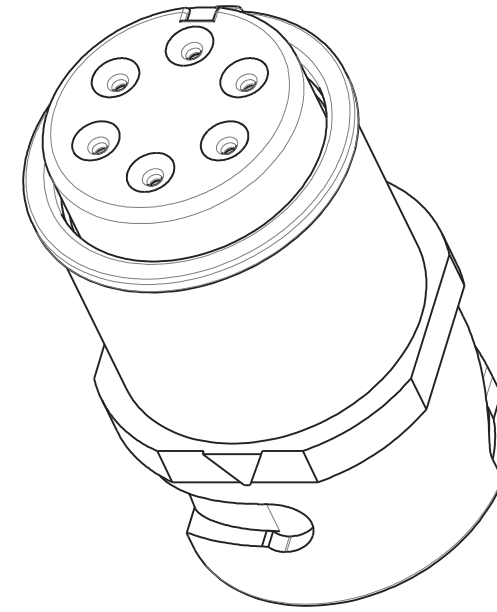


REV	ECN	APP'D
-		



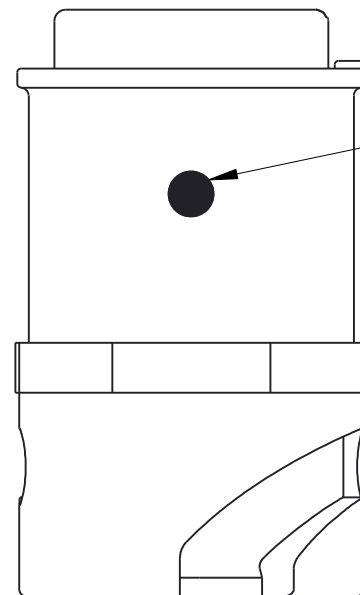
GROMMET MARKING
.04 HIGH CHARACTERS
COLOR: CONTRASTING



APCD YYWW
SJS861800

DATE CODE
PART MARKING
HEIGHT: .03
COLOR WHITE

WHITE MARKING
TWO SIDES



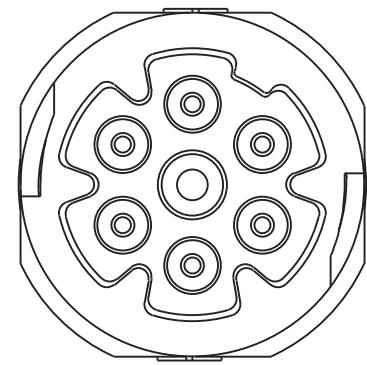
WHITE DOT

NOTES:

- MATERIALS:
HOUSING: PA6/6, COLOR: BLACK.
CONTACT RETAINER: STAINLESS STEEL.
GROMMET&FACE SEAL: SILICONE RUBBER PER A-A-59588, COLOR: RED
- MATING CONTACTS: SEE TABLE 1.
- PART MATES WITH SJS861700/701.
- EST. WEIGHT: 2.4 GRAMS.
- SUPPLIED WITH DUST CAP.

TABLE I - PART NUMBER SCHEME

APCD P/N	CONTACTS SUPPLIED	PART MARKING
SJS861800	NONE	SJS861800
SJS861801	(6) M39029/58-360	



DIMENSIONS ANSI Y14.5M UNITS: INCHES Pro/E FILE	TOLERANCES .XX ±0.01 .XXX ±0.005 ANGLES ±2.0°	PROJECTION 	Amphenol Pcd SPECIFICATION DRAWING		
			ENGR SEAN.ZENG Apr-18-13	TITLE SJS, RECEPTACLE 6 POSITION, SIZE 22	
ORIGINAL	THIS DOCUMENT CONTAINS PROPRIETARY INFORMATION WHICH IS THE CONFIDENTIAL PROPERTY OF AMPHENOL PCD INC., BEVERLY, MA		SIZE B	DWG NO. SJS861800_CE	REV -
			CODE: 58982	SCALE: 4:1	SHEET 1 OF 1

X-ON Electronics

Largest Supplier of Electrical and Electronic Components

Click to view similar products for [Standard Circular Connector](#) category:

Click to view products by [Amphenol](#) manufacturer:

Other Similar products are found below :

[5M2530B10P](#) [600259N006](#) [600273N007](#) [6134-336-13149](#) [6134-337-11149](#) [6134-337-2390](#) [6134-341-17149](#) [6280-4SG-516](#) [6280-7SG-3DC](#)
[6290](#) [6291A](#) [66200A-10](#) [680-SMG](#) [681-PMG](#) [CXS3102A14S2P](#) [CXS3102A181S](#) [7251-6SG-300](#) [7271-6SG-300](#) [7282-3PG-300-CH3](#) [75-](#)
[474014-05S](#) [75-474618-01S](#) [75-474618-04P](#) [75-474618-04S](#) [799539-000](#) [MI8-SE](#) [805-005-07NF11-19PC](#) [805-005-07NF15-7PA](#) [8280-4PG-](#)
[516](#) [8280-7PG-519](#) [8282-5PG-519](#) [836783-1](#) [MP-4102-25P-C](#) [862256-1](#) [864019-2](#) [866857-1](#) [867865-1](#) [PT01SP-14-18P](#) [PT08P-14-5S](#)
[PTSF06SE-14-12S](#) [120-1833-000](#) [QCM019PC2DC012B](#) [1-2069279-1](#) [121583-0217](#) [121667-0020](#) [129591AU](#) [1000B BULK](#) [RD10A16-19-](#)
[P6CS051/1](#) [RD10A20-31-P8CS051/1](#) [RD16A14-12-S6CS051/2](#) [1301240290](#) [1301240347](#)