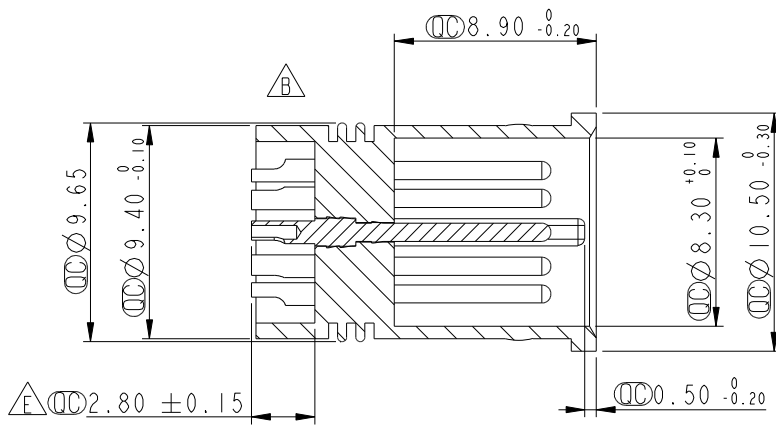
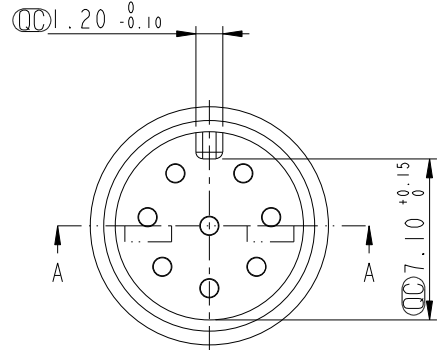
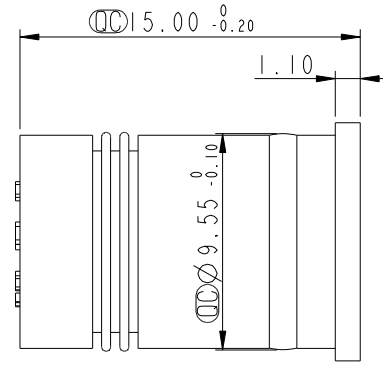
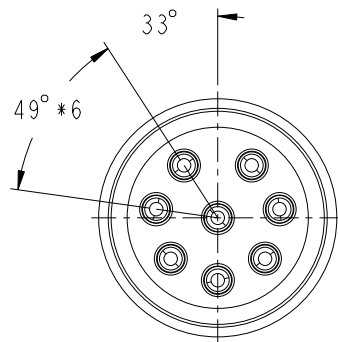
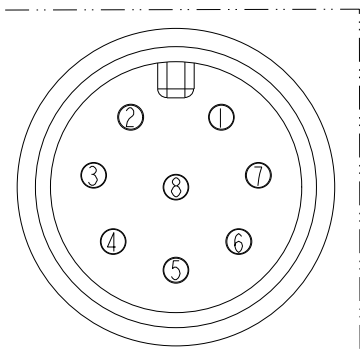


THIS DOCUMENT IS SUBJECT TO CHANGE WITHOUT NOTICE. IT IS CONFIDENTIAL AND A PROPERTY OF Amphenol LTW. DISCLOSURE TO THIRD PARTY HAS TO BE AUTHORIZED BY Amphenol LTW.

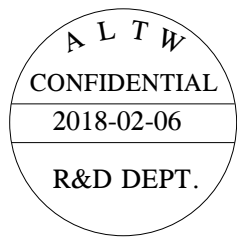
REV.	ECN NO.	DATE	SIGN	DESCRIPTION
C	LEN1670223	2016/07/14	Jinhai	Change Dimension
D	LEN1681086	2016/08/04	Mafei	Updated The Dimension.
E	LEN1810204	2018/02/06	Zhangling Wan	Updated The Dimension.



Section: A-A



Pin Assignments
Front View



Note:
 * \varnothing Important Dimension To Check.
 * Housing: Nylon+GF, Black.
 * Male Pin: Copper Alloy Gold Plated.

UNIT:mm		TITLE Solder M12 8Pin			ITEM NO SLD-A008001	DRAWN BY Zhangling Wan	DATE 2018-02-06
		TOLERANCE .X ±0.25 .XX ±0.1 .XXX ±0.05 ANGLES ±1°	SCALE 3:1	SIZE A4	SHEET 1 OF 1	DWG NO SLD-A008001	CHECKED BY Fisher Wang
		REV. E	WC-REV. A.5	\varnothing : Inspection item	CUSTOMER ALTW	APPROVED BY Kevin Hu	DATE 2018-02-06

Amphenol LTW
 安費諾亮泰企業股份有限公司

X-ON Electronics

Largest Supplier of Electrical and Electronic Components

Click to view similar products for [Circular Metric Connectors](#) category:

Click to view products by [Amphenol](#) manufacturer:

Other Similar products are found below :

[600X518037X](#) [6STD15PCR99B70A](#) [8R4000A16M020](#) [8R5000A16M005](#) [1200910002](#) [1203580030](#) [1200910008](#) [1200910011](#) [1300140094](#)
[130203-0054](#) [1300140026](#) [1300150099](#) [1-3637-600-5205](#) [1612618](#) [21036836414](#) [8R4006A16M010](#) [1R3006A20M005](#) [41-40011](#) [42-00006](#)
[42-01015](#) [4-22279-4](#) [4-22281-1](#) [4-22284-9](#) [43-00113](#) [43-01203](#) [41-40013](#) [42-00008](#) [43-00343](#) [43-01026](#) [43-01162](#) [43-01173](#) [43-10000](#)
[XS3P-M421-2](#) [600X518050X](#) [8R5006A16M020](#) [8R5006A16M005](#) [8R4000A16M010](#) [6-22279-3](#) [1605332](#) [N03FA03144](#) [1300140077](#) [43-](#)
[16213](#) [43-01338](#) [XS2RD4265](#) [XS2R-D426-1](#) [XS8A-0441](#) [859RD04-103R004](#) [860RD04-113R004](#) [860RD04-213R004](#) [1-213245-2](#)