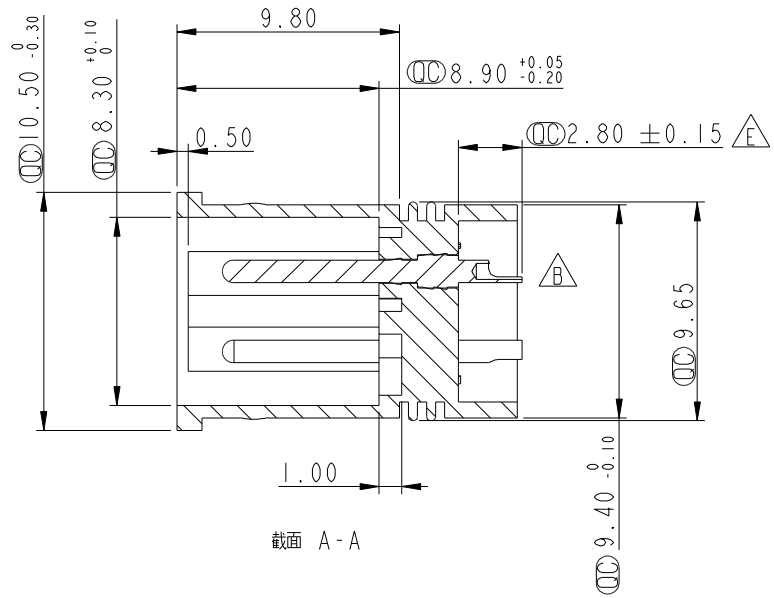
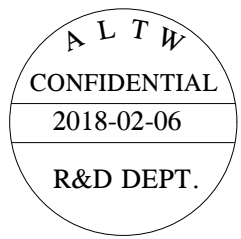
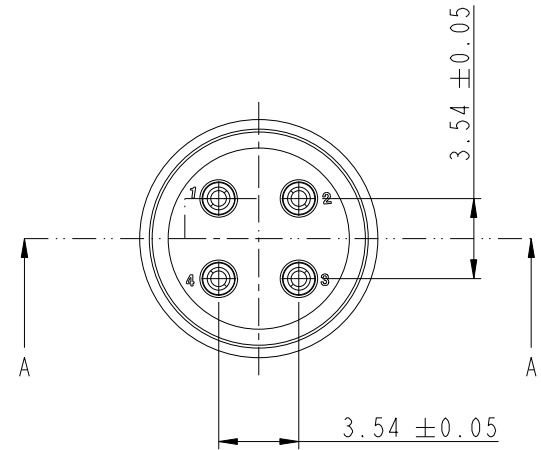
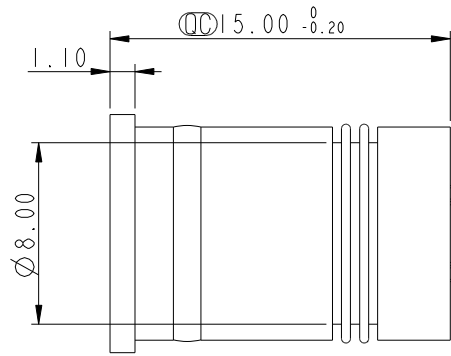
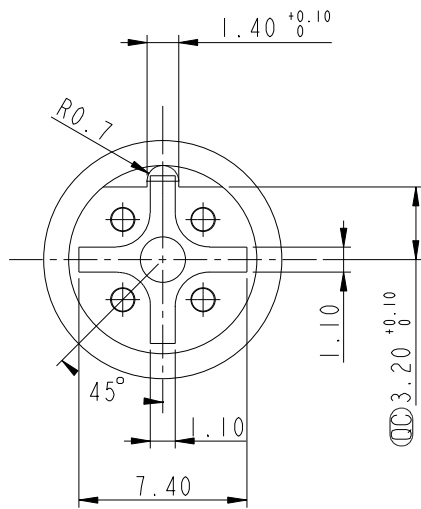


REV.	ECN NO.	DATE	SIGN	DESCRIPTION
C	LEN1650287	2016/05/11	Jinhai	Change Dimensions
D	LEN1681087	2016/08/16	Mafei	Updated The Dimension.
E	LEN1810198	2018/02/06	Zhanglijing Wan	Updated The Dimension.



Note:
 * ⌀ Important Dimension To Check.
 * Housing: Nylon+GF, Black.
 * Male Pin: Copper Alloy Gold Plated.

UNIT: mm	 	TITLE Solder M12 B Code 4Pin			ITEM NO SLD-B004001	DRAWN BY Zhanglijing Wan	DATE 2018-02-06
		TOLERANCE .X ±0.25 .XX ±0.1 .XXX ±0.05 ANGLES ±1°	SCALE 3:1	SIZE A4	SHEET 1 OF 1	DWG NO SLD-B004001	CHECKED BY Fisher Wang
		REV. E	WC-REV. A.1	 : Inspection item	CUSTOMER ALTW	APPROVED BY Kevin Hu	DATE 2018-02-06

Amphenol LTW
 安費諾亮泰企業股份有限公司

THIS DOCUMENT IS SUBJECT TO CHANGE WITHOUT NOTICE. IT IS CONFIDENTIAL AND A PROPERTY OF AMPHENOL LTW. DISCLOSURE TO THIRD PARTY HAS TO BE AUTHORIZED BY AMPHENOL LTW.

X-ON Electronics

Largest Supplier of Electrical and Electronic Components

Click to view similar products for [Circular Metric Connectors](#) category:

Click to view products by [Amphenol](#) manufacturer:

Other Similar products are found below :

[600X518037X](#) [6STD15PCR99B70A](#) [8R4000A16M020](#) [8R5000A16M005](#) [1200910002](#) [1203580030](#) [1200910008](#) [1200910011](#) [1300140094](#)
[130203-0054](#) [1300140026](#) [1300150099](#) [RF-12S1N8A90DU](#) [1-3637-600-5205](#) [1612618](#) [21036836414](#) [8R4006A16M010](#) [1R3006A20M005](#)
[RF-12P1N8A90DU](#) [41-40011](#) [42-00006](#) [42-01015](#) [4-22279-4](#) [4-22281-1](#) [4-22284-9](#) [43-00113](#) [43-01088](#) [43-01203](#) [41-40013](#) [42-00008](#) [43-](#)
[00343](#) [43-01026](#) [43-01162](#) [43-01173](#) [43-10000](#) [XS3P-M421-2](#) [600X518050X](#) [SACC-DSI-FS-5P-PG9-L180 SC](#) [8R5006A16M020](#)
[8R4000A16M010](#) [6-22279-3](#) [1605332](#) [N03FA03144](#) [1300140077](#) [43-16213](#) [43-01338](#) [XS2RD4265](#) [XS2R-D426-1](#) [XS8A-0441](#) [859RD04-](#)
[103R004](#)