

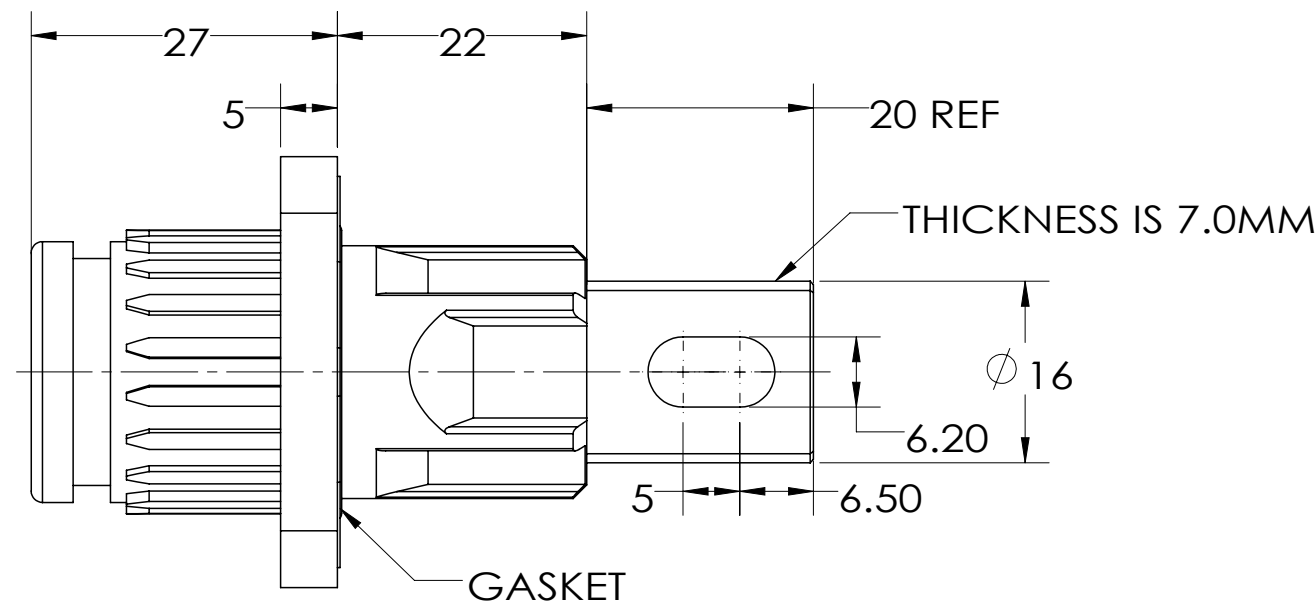
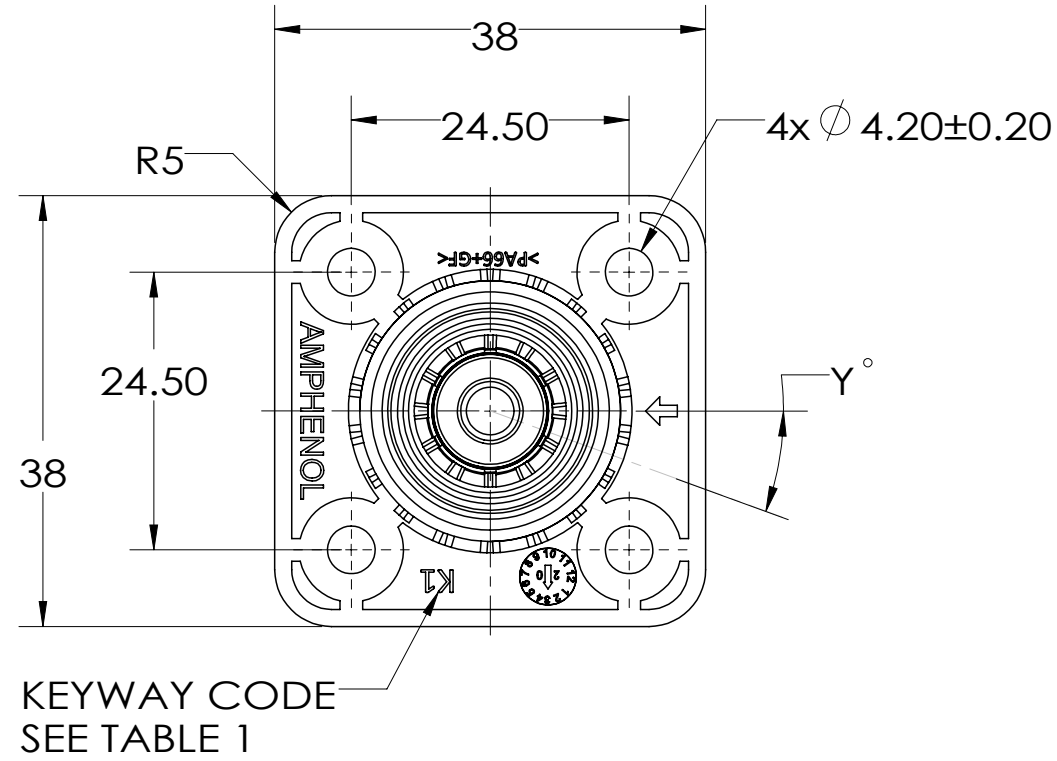
GENERAL TOLERANCE

DIM.RANGE	0 - 3	>3-6	>6-30	>30-120	>120-400
TOLERANCE	±0.1	±0.1	±0.2	±0.3	±0.5

CUSTOMER DRAWING



REVISION		
REV.	DESCRIPTION	DATE
A	INITIAL RELEASE	2020-08-25
B	ADD CODE NUMBER AND KEYWAY	2020/12/22
C	UPDATE SPECIFICATION	2021/1/5

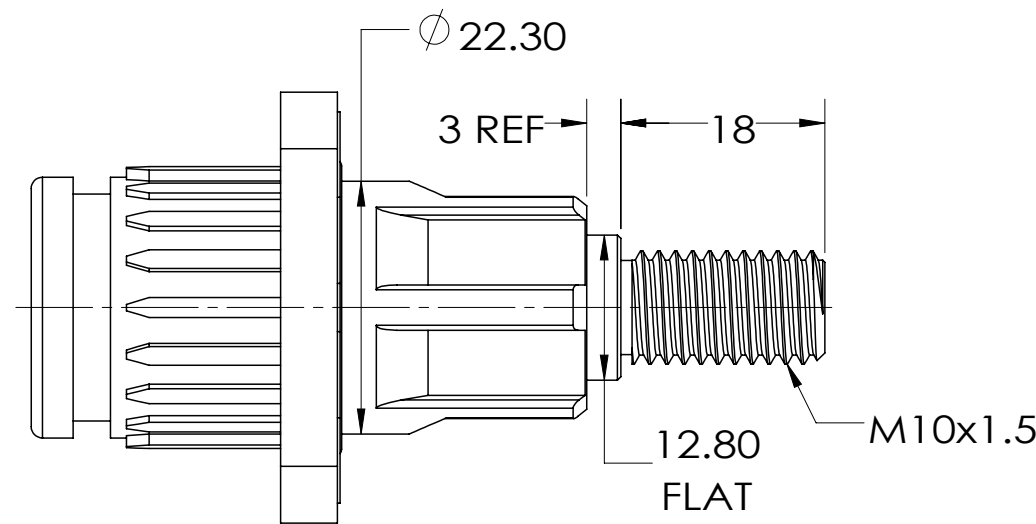
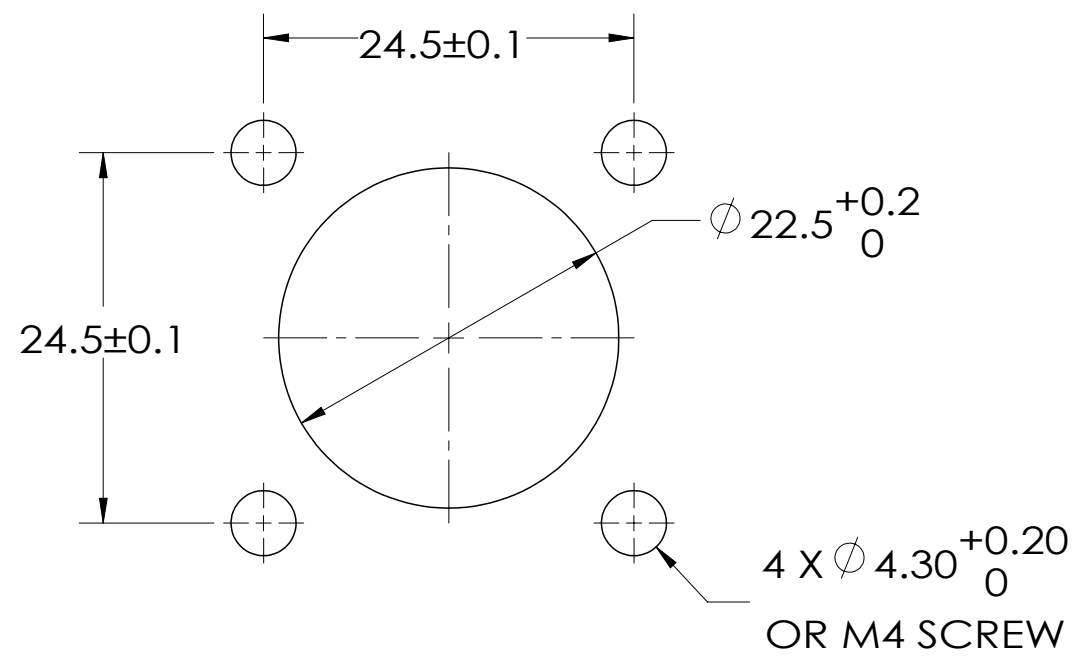


PART NUMBER: C10-765128- ( ) ( ) ( ) ( )

COLOR →  
PIN TYPE → KEYWAY →  
SEALING →

CODE NUMBER: SLPHIRC( ) P( ) ( ) ( )

PIN TYPE → KEYWAY →  
SEALING → COLOR →



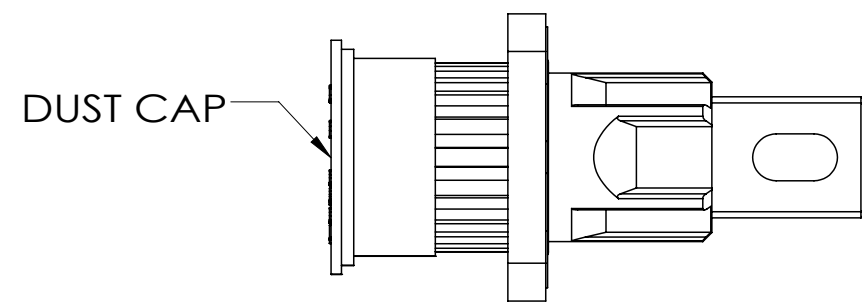
ITEM	OPTION	PART NUMBER	CODE NUMBER
COLOR	ORANGE	0	O
	BLACK	1	B
	RED	2	R
PIN TYPE	BUSBAR	1	B
	SCREW	2	T
SEALING	IP67(MATED)	0	S
	UNSEALING	1	N
KEYWAY (Y°)	20°	1	1
	30°	2	2
	45°	3	3

TABLE 1

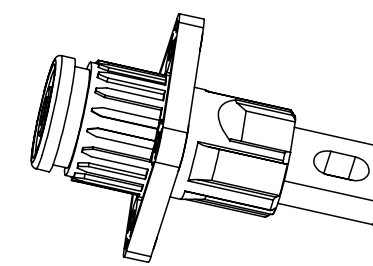
KEYWAY(Y°)	KEYWAY CODE
20°	K1
30°	K2
45°	K3

SPECIFICATIONS

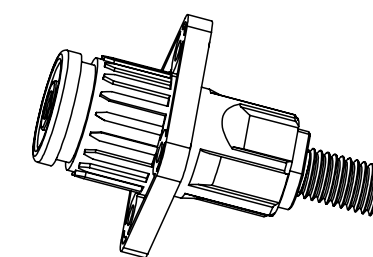
CURRENT RATING	300A
VOLTAGE RATING	1500V DC
OPERATING TEMPERATURE (AMBIENT)	-40°C~125°C
CONTACT RESISTANCE	0.5mΩ MAX
PROTECTION CLASS	IP67(MATED)



DUST CAP ASSEMBLY VIEW



BUSBAR TYPE



SCREW TYPE

3. DUST CAP SHOULD BE REMOVED BEFORE PLUG MATING IN.

2. IF CHOOSE UNSEALING TYPE, THERE WILL BE NO GASKET.

1. THE REFERENCED PRODUCT SHALL BE COMPLIANT TO RoHS DIRECTIVE.

NOTES:

THIS DOCUMENT CONTAINS PROPRIETARY INFORMATION AND SUCH INFORMATION MAY NOT BE DISCLOSED TO OTHERS FOR ANY PURPOSE OR USED FOR MANUFACTURING PURPOSES WITHOUT WRITTEN PERMISSION FROM THE AMPHENOL CORP.

UNLESS OTHERWISE SPECIFIED		APPROVALS		DATE
LINEAR DIMENSIONS ARE IN: MILLIMETERS		PREPARED BY:	Yuexiang Zhang	Aug-26-20
TOLERANCES: ANGLES= ±2° DEFAULT LINEAR TOLERANCES SEE TABLE		ENGINEER IN CHARGE:	Seven Xie	
DIM. & TOL. PER ASME Y14.5M-1994; DRM PER MIL-DTL-31000; OTHER AMPHENOL STANDARDS: 9-3800		DESIGN MANAGER:	Rob Weng	
LEGENDS: =FLAG NOTE CALL OUT REFERENCE		PRODUCT GROUP:	C&I	
THIRD ANGLE PROJECTION		AIPG DIVISION:		
		MATERIAL SPEC	PROCESS SPEC	
		N/A	N/A	

AMPHENOL INDUSTRIAL OPERATIONS

Amphenol Technology (Zhuhai) Co., Ltd  
No.63, Xinghan Road, Sanzao Town, Jinwan, Zhuhai, PRC

10.3MM SURLOK PLUS RECEPTACLE 1500V TYPE

SIZE	CAGE CODE	DOCUMENT NUMBER	REV
C	77820	10-765128	C
SCALE: 2:1		REF: 10-730191	SHEET 1 OF 1

## X-ON Electronics

Largest Supplier of Electrical and Electronic Components

*Click to view similar products for [Heavy Duty Power Connectors](#) category:*

*Click to view products by [Amphenol](#) manufacturer:*

Other Similar products are found below :

[6646058-2](#) [6646137-1](#) [6646138-1](#) [6646940-1](#) [6651091-1](#) [6651525-1](#) [6651529-1](#) [696475-1](#) [702-32-01109](#) [73080255059](#) [73080965046](#)  
[7310205040001](#) [765-16-0080B](#) [765-18-0080D](#) [902-77-02113](#) [PS00/A0620/6300](#) [AN0024023](#) [154-42B7WM250](#) [MS3117-14AC](#) [1643543-1](#)  
[1766966-1](#) [1791340000](#) [NLDFT-3-BL-L-S120-M40A](#) [NLDFT-N-W-L-C240-M40B](#) [1926015-1](#) [NLS-3-BL-C240-M40B](#) [NLS-N-W-C240-](#)  
[M40B](#) [NPS-3-BL-T6](#) [2-1589900-8](#) [9300480317](#) [294-0091-01100](#) [296-0040-01100](#) [1-6609148-0](#) [A32595-0049](#) [1766249-1](#) [19000005132](#)  
[1926016-1](#) [1-966831-8](#) [AN0024202](#) [AN0264023](#) [279-0841-10100A](#) [281-0334-00100A](#) [RMSB4](#) [419-2083-301](#) [LCDX4/0-14B-X](#) [075-8519-](#)  
[001](#) [078238-1613](#) [07.470.3256.0](#) [09000005288](#) [09140240311](#)