

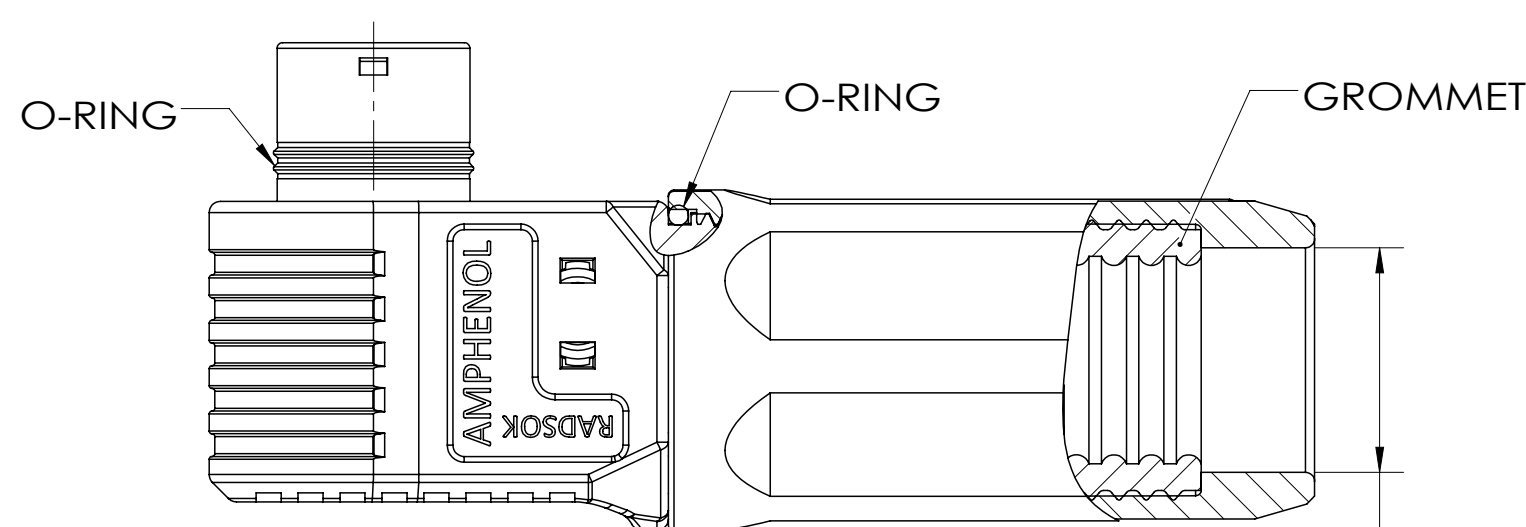
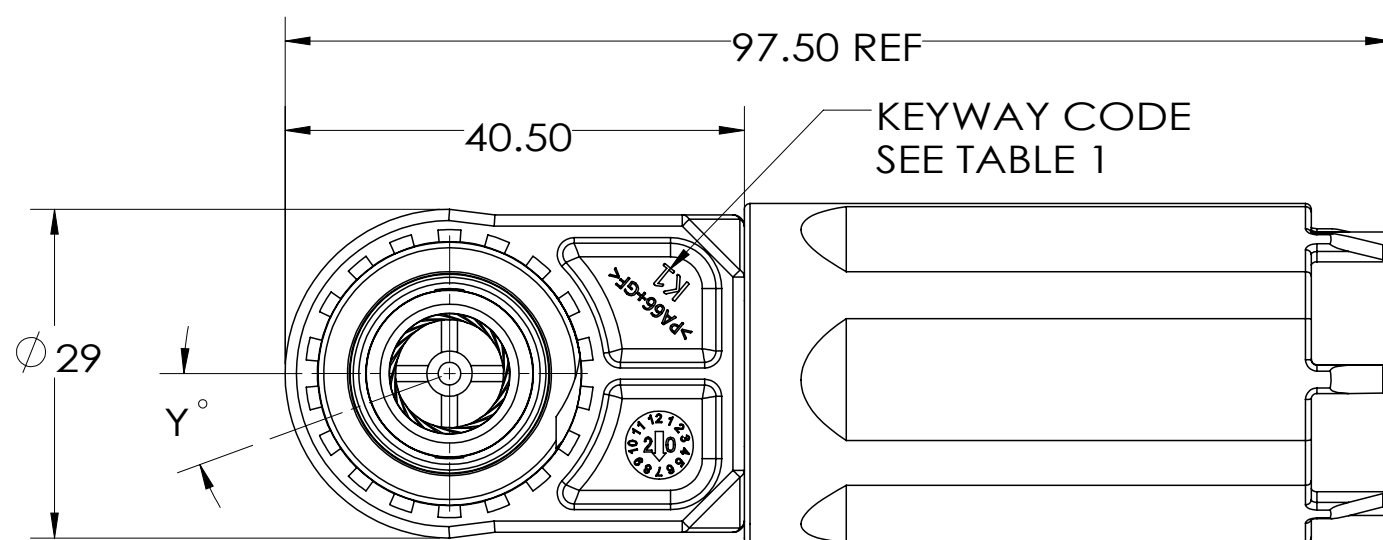
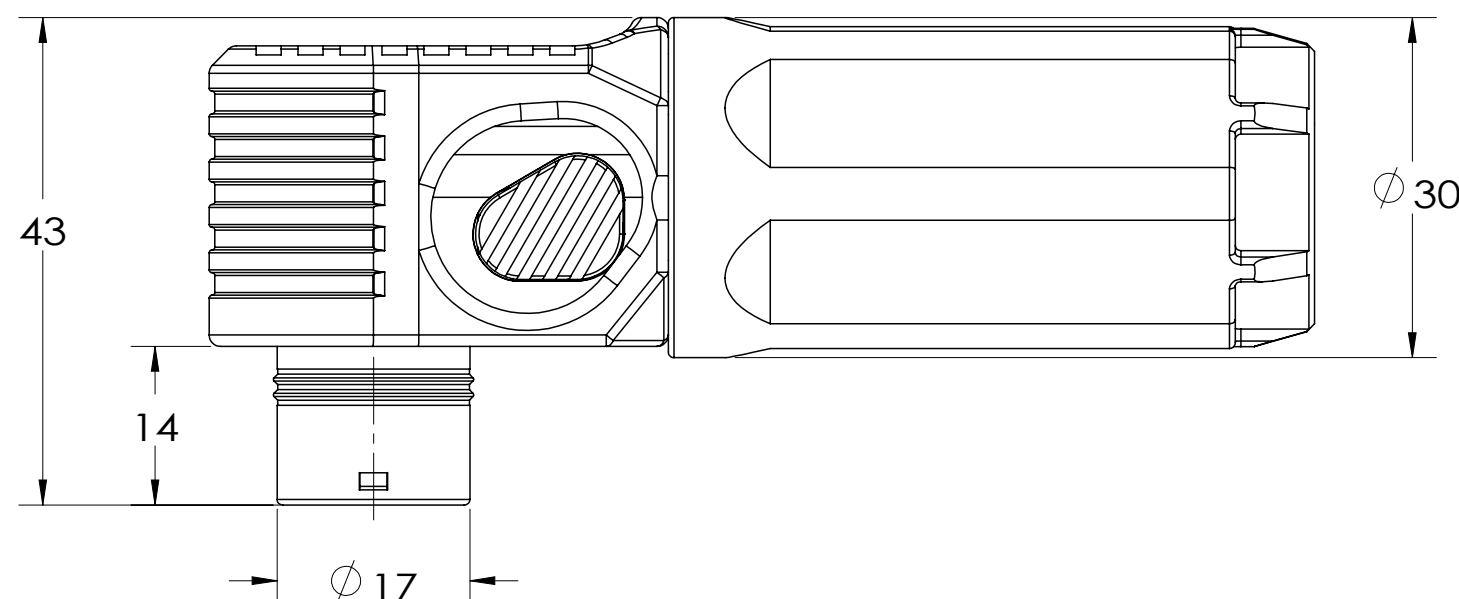
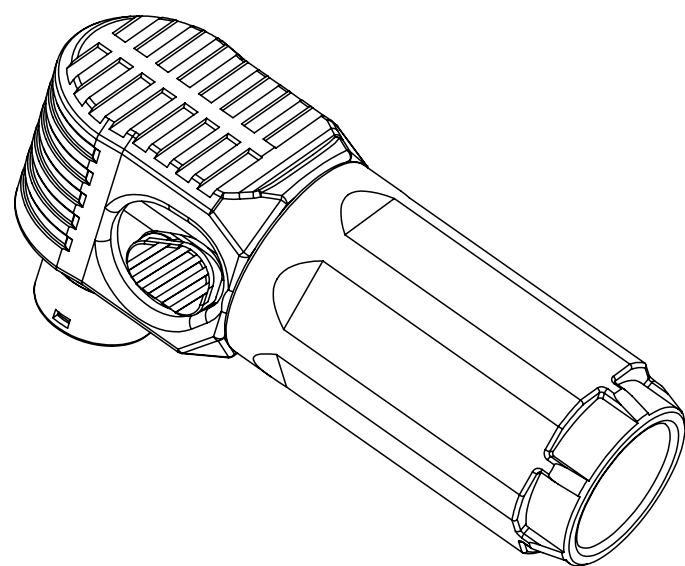
GENERAL TOLERANCE

DIM.RANGE	0 - 3	>3-6	>6-30	>30-120	>120-400
TOLERANCE	±0.1	±0.1	±0.2	±0.3	±0.5

CUSTOMER DRAWING



REVISION		
REV.	DESCRIPTION	DATE
A	INITIAL RELEASE	2020-08-25
B	ADD CODE NUMBER AND KEYWAY	2020/12/22
C	UPDATE SPECIFICATION	2021/1/5
D	UPDATE CABLE SPEC	2021/3/25



RECOMMENDED CABLE O.D RANGE:
 Ø 18.2 ± 0.3MM FOR 3/0 AWG
 Ø 15.5 ± 0.3MM FOR 2/0 AWG

PART NUMBER: C10-765127-(())(())
 COLOR KEYWAY
 WIRE SIZE SEALING

CODE NUMBER: SLPHPC()B()(())
 WIRE SIZE KEYWAY
 SEALING COLOR

ITEM	DESCRIPTION	PART NUMBER	CODE NUMBER
COLOR	ORANGE	0	O
	BLACK	1	B
	RED	2	R
WIRE SIZE	3/0 AWG	9	95
	2/0 AWG	7	70
SEALING	IP67(MATED)	0	S
	UNSEALING	1	N
KEYWAY Y°	20°	1	1
	30°	2	2
	45°	3	3

KEYWAY(Y°)	KEYWAY CODE
20°	K1
30°	K2
45°	K3

CURRENT RATING	300A MAX FOR 3/0 AWG 250A MAX FOR 2/0 AWG
VOLTAGE RATING	1500V DC
OPERATING TEMPERATURE (AMBIENT)	-40°C~125°C
CONTACT RESISTANCE	0.5mΩ MAX
PROTECTION CLASS	IP67(MATED)

2. IF CHOOSE UNSEALING TYPE, THERE WILL BE NO O-RINGS AND GROMMET.

1. THE REFERENCED PRODUCT SHALL COMPLIANT TO ROHS DIRECTIVE.

NOTES:
 THIS DOCUMENT CONTAINS PROPRIETARY INFORMATION AND SUCH INFORMATION MAY NOT BE DISCLOSED TO OTHERS FOR ANY PURPOSE OR USED FOR MANUFACTURING PURPOSES WITHOUT WRITTEN PERMISSION FROM THE AMPHENOL CORP.

UNLESS OTHERWISE SPECIFIED		APPROVALS		DATE
LINEAR DIMENSIONS ARE IN: MILLIMETERS		PREPARED BY:	YUEXIANG ZHANG	Aug-25-20
TOLERANCES: ANGLES= ±2° DEFAULT LINEAR TOLERANCES SEE TABLE		ENGINEER IN CHANGE:	SEVEN XIE	
DIM. & TOL. PER ASME Y14.5M-1994; DRM PER MIL-DTL-31000; OTHER AMPHENOL STANDARDS: 9-3800		DESIGN MANAGER:	ROB WENG	
LEGENDS: =FLAG NOTE CALL OUT REFERENCE		PRODUCT GROUP:	C&I	
THIRD ANGLE PROJECTION		AIPG DIVISION:		
		MATERIAL SPEC	PROCESS SPEC	
		N/A	N/A	

AMPHENOL INDUSTRIAL OPERATIONS			
Amphenol Technology (Zhuhai) Co., Ltd No.63, Xingnan Road, Sanzao Town, Jinwan, Zhuhai, PRC			
10.3MM SURLOK PLUS PLUG RIGHT ANGLE 1500V TYPE			
SIZE	CAGE CODE	DOCUMENT NUMBER	REV
C	77820	10-765127	D
SCALE: 2:1		REF: 10-761122-(-)	SHEET 1 OF 1

X-ON Electronics

Largest Supplier of Electrical and Electronic Components

Click to view similar products for [Heavy Duty Power Connectors](#) category:

Click to view products by [Amphenol](#) manufacturer:

Other Similar products are found below :

[6646058-2](#) [6646137-1](#) [6646138-1](#) [6646940-1](#) [6651091-1](#) [6651525-1](#) [6651529-1](#) [696475-1](#) [702-32-01109](#) [73080255059](#) [73080965046](#)
[7310205040001](#) [765-16-0080B](#) [765-18-0080D](#) [902-77-02113](#) [PS00/A0620/6300](#) [AN0024023](#) [154-42B7WM250](#) [MS3117-14AC](#) [1643543-1](#)
[1766966-1](#) [1791340000](#) [NLDFT-3-BL-L-S120-M40A](#) [NLDFT-N-W-L-C240-M40B](#) [1926015-1](#) [NLS-3-BL-C240-M40B](#) [NLS-N-W-C240-](#)
[M40B](#) [NPS-3-BL-T6](#) [2-1589900-8](#) [9300480317](#) [294-0091-01100](#) [296-0040-01100](#) [1-6609148-0](#) [A32595-0049](#) [1766249-1](#) [19000005132](#)
[1926016-1](#) [1-966831-8](#) [AN0024202](#) [AN0264023](#) [279-0841-10100A](#) [281-0334-00100A](#) [RMSB4](#) [419-2083-301](#) [LCDX4/0-14B-X](#) [075-8519-](#)
[001](#) [078238-1613](#) [07.470.3256.0](#) [09000005288](#) [09140240311](#)