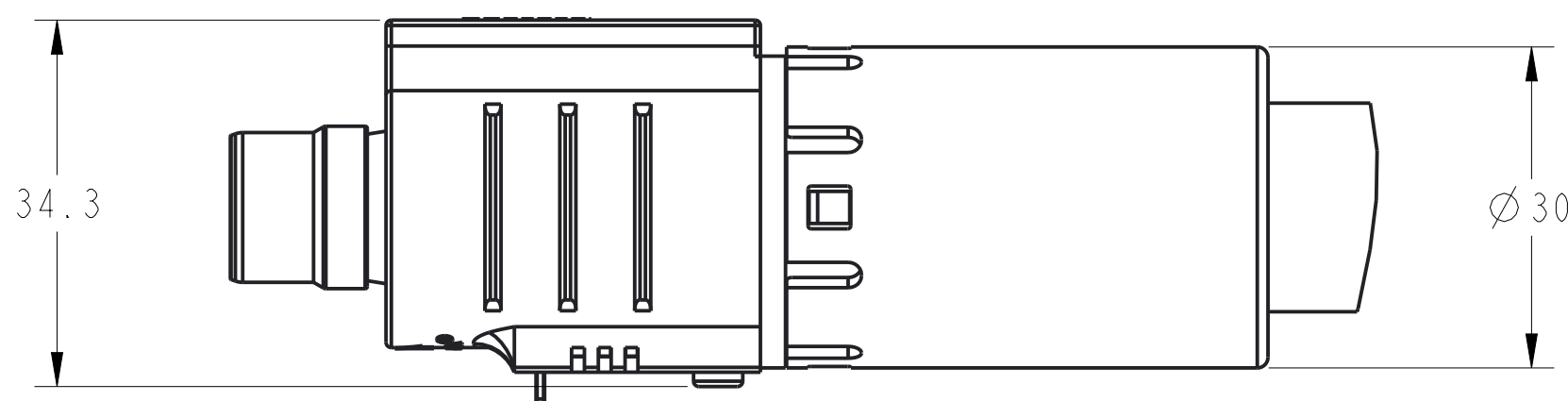
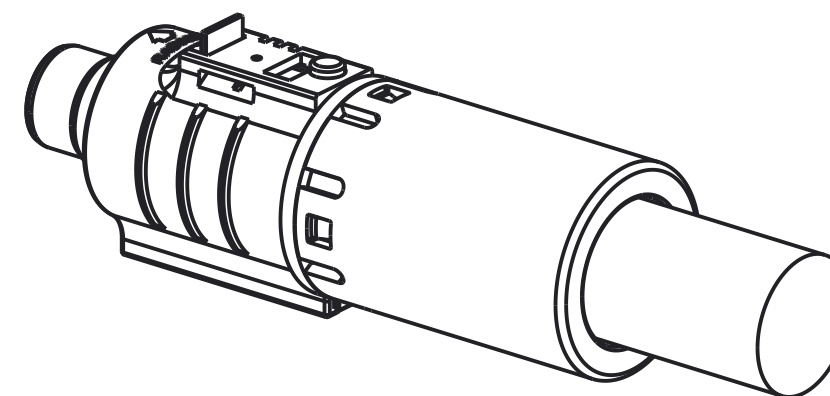
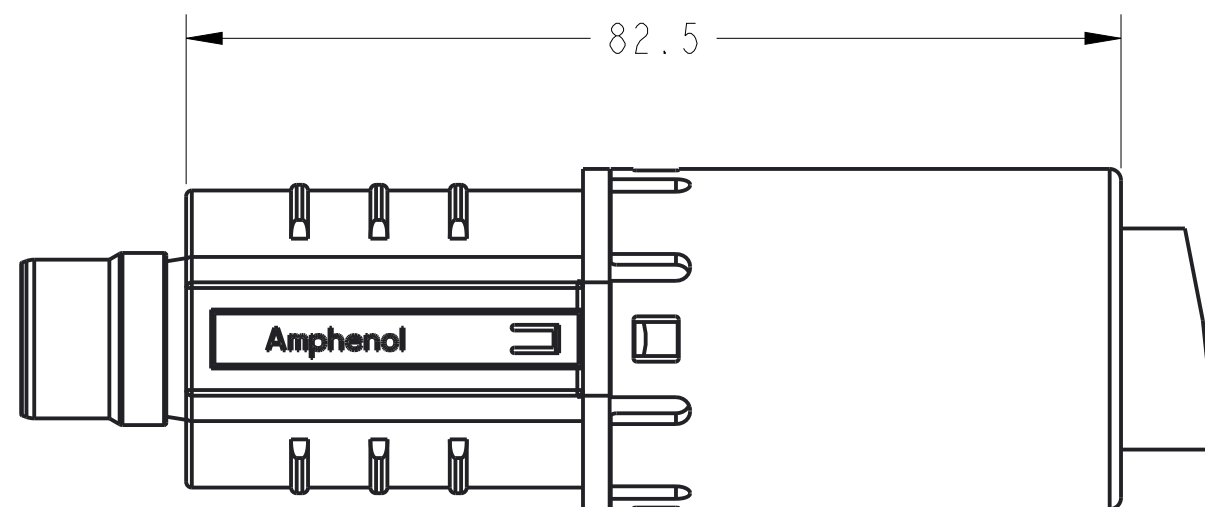
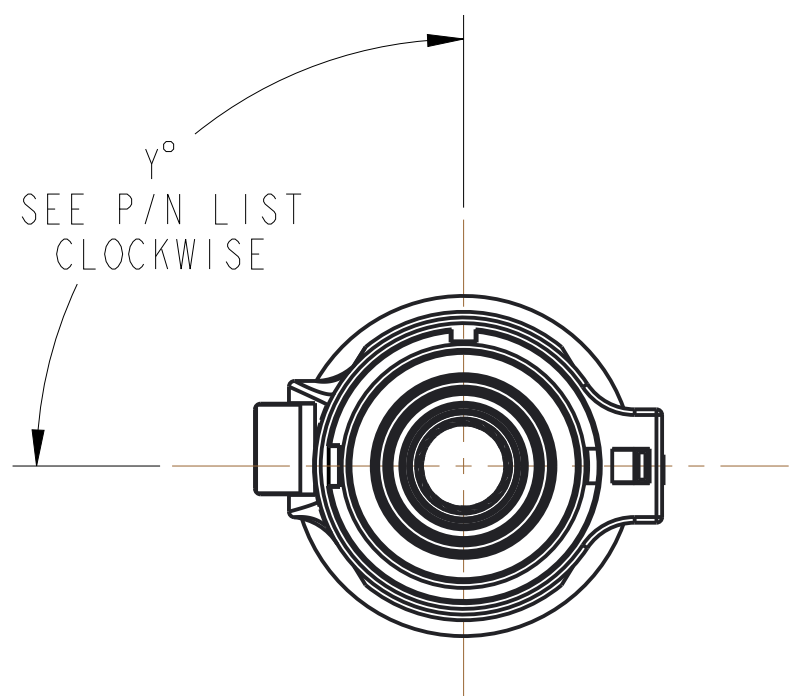


REV. A	SHEET 1 OF 1	DOCUMENT NO. C10-738727-()
REVISIONS		
REV	DESCRIPTION	DATE
A	PREMININARY REVISION	2016-08-03

GENERAL TOLERANCE

DIM. RANGE	0.5 ~ 3	> 3 ~ 6	> 6 ~ 30	> 30 ~ 120	> 120 ~ 400
TOLERANCE	±0.1	±0.1	±0.2	±0.3	±0.5

CUSTOMER DRAWING



MFG PART NUMBER: C10-738727-() () () ()

BASE NUMBER

COLOR OF BUTTON, SEE TABLE

WIRE SIZE, SEE TABLE

SEALING, SEE TABLE

KEYWAY, SEE TABLE

CODE NUMBER REFERENCE: SLPIPB() B () () () E H

BASE NUMBER

WIRE SIZE, SEE TABLE

WITH BACKSHELL

SEALING, SEE TABLE

COLOR OF BUTTON, SEE TABLE

KEYWAY, SEE TABLE

EMI

HVIL



SPECIFICATIONS

CURRENT RATING	250 Amps MAX (C10-738727-X7XX) 200 Amps MAX (C10-738727-X5XX) 150 Amps MAX (C10-738727-X3XX)
OPERATING VOLTAGE	1000V DC/AC
OPERATING TEMPERATURE	-40°C-125°C
PROTECTION CLASS	IP67 (MATED)

ITEM	DESCRIPTION	CODE NUMBER	MFG NUMBER
COLOR OF BUTTON	ORANGE	1	0
	BLACK	2	B
	RED	3	R
WIRE SIZE	70 MM^2	7	70
	50 MM^2	5	50
	35 MM^2	3	35
SEALING	IP 67	0	S
	NO SEALING	1	N
KEYWAY (Y°)	90°	0	0
	270°	1	1
	60°	2	2
	120°	3	3
	150°	4	4

1. THE REFERENCED PRODUCT IS IN COMPLIANCE WITH THE MAXIMUM CONCENTRATION VALUES(MCVS) AS SET BY ROHS 2.0 DIRECTIVE 2011/65/EU AND ANNEX II AMENDMENT DIRECTIVE (EU)2015/863.

NOTES:

THIS DOCUMENT CONTAINS PROPRIETARY INFORMATION AND SUCH INFORMATION MAY NOT BE DISCLOSED TO OTHERS FOR ANY PURPOSE OR USED FOR MANUFACTURING PURPOSES WITHOUT WRITTEN PERMISSION FROM THE AMPHENOL CORP.

N/A	PRO/ENGINEER INFORMATION
NEXT ASSEMBLY	Pro/e Model Used:
METRIC DOCUMENT	10-738727.ASSEM
	Drawing Name:
	C10-738727.ABROAD

UNLESS OTHERWISE SPECIFIED	SPECIFICATIONS	POS	QTY	PART NUMBER	DESCRIPTION	NOTE
LINER DIMENSIONS ARE IN: MILLIMETERS TOLERANCES: ANGLES= ±2° DEFAULT LINEAR TOLERANCES SEE TABLE DIM. & TOL. PER ASME Y14.5M-1994; DRM PER MIL-DTL-31000; OTHER AMPHENOL STANDARDS: 9-9318	MATERIAL SPEC. N/A	APPROVALS		DATE	PARTS LIST	
LEGENDS: △=FLAG NOTE CALL OUT REFERENCE ONLY	PROCESS SPEC. N/A	PREPARED BY EVANS JIANG	ENGINEER IN CHARGE ROB WENG	OCT-03-16	AMPHENOL INDUSTRIAL OPERATIONS Amphenol Technology(Zhuhai)Co.,Ltd No.63, Xingnan Road, Sanzao Town, Jinwan, Zhuhai, PRC	
		DESIGN MANAGER DERIC LI	DESIGN ACTIVITY GROUP C&I		8.0MM SURLOK PLUS WITH EMI, INLINE PLUG	
		THIRD ANGLE PROJECTION			SIZE C	CAGE CODE 77820
					DOCUMENT NO. C10-738727-()	REV. A
					SCALE: 1.0	SHEET 1 OF 1

X-ON Electronics

Largest Supplier of Electrical and Electronic Components

Click to view similar products for [Heavy Duty Power Connectors](#) category:

Click to view products by [Amphenol](#) manufacturer:

Other Similar products are found below :

[6646058-2](#) [6646137-1](#) [6646138-1](#) [6646940-1](#) [6651091-1](#) [6651525-1](#) [6651529-1](#) [696475-1](#) [702-32-01109](#) [73000005059](#) [73080254296](#)
[73080965046](#) [7310205040001](#) [765-15-0080A](#) [765-16-0080B](#) [765-18-0080D](#) [PS00/A0620/6300](#) [129-1J](#) [E6374G1](#) [e6389g2](#) [157-43GW8](#)
[MS3117-14AC](#) [1643543-1](#) [1766966-1](#) [1791340000](#) [NLDFT-3-BL-L-S120-M40A](#) [NLDFT-N-W-L-C240-M40B](#) [1926015-1](#) [NLS-N-W-C240-](#)
[M40B](#) [2-1589900-8](#) [2199314-1](#) [KA8102](#) [9300480317](#) [294-0091-01100](#) [296-0040-01100](#) [1648582-1](#) [A32595-0049](#) [1766249-1](#) [1766280-1](#)
[1766818-1](#) [AN0264023](#) [279-0841-10100A](#) [30-9717](#) [RMSB4](#) [4729](#) [492H414-9-01](#) [BSB5](#) [419-2083-301](#) [LCDX4/0-14B-X](#) [075-8519-001](#)