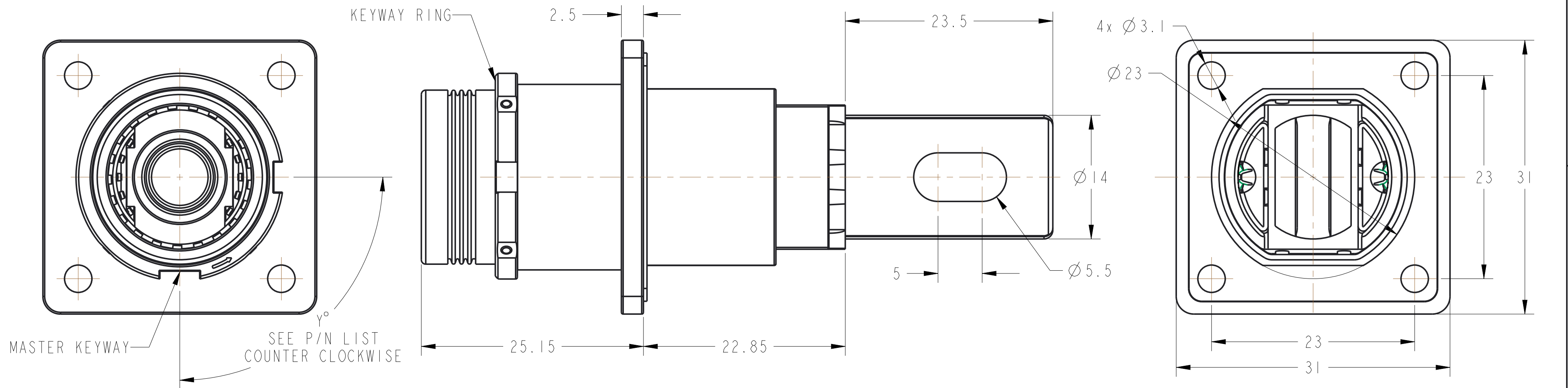


GENERAL TOLERANCE

DIM. RANGE	0.5 ~ 3	> 3 ~ 6	> 6 ~ 30	> 30 ~ 120	> 120 ~ 400
TOLERANCE	±0.1	±0.1	±0.2	±0.3	±0.5

CUSTOMER DRAWING

REVISIONS		
REV	DESCRIPTION	DATE
A	PREMININARY REVISION	2016-07-06



MFG PART NUMBER: C10-738726-() () () ()

BASE NUMBER

COLOR OF FINGER PROOF HEAD, SEE TABLE

PIN TYPE, SEE TABLE

SEALING, SEE TABLE

KEYWAY, SEE TABLE

CODE NUMBER REFERENCE: SLPIRB()P() () () E H

BASE NUMBER

PIN TYPE, SEE TABLE

SEALING, SEE TABLE

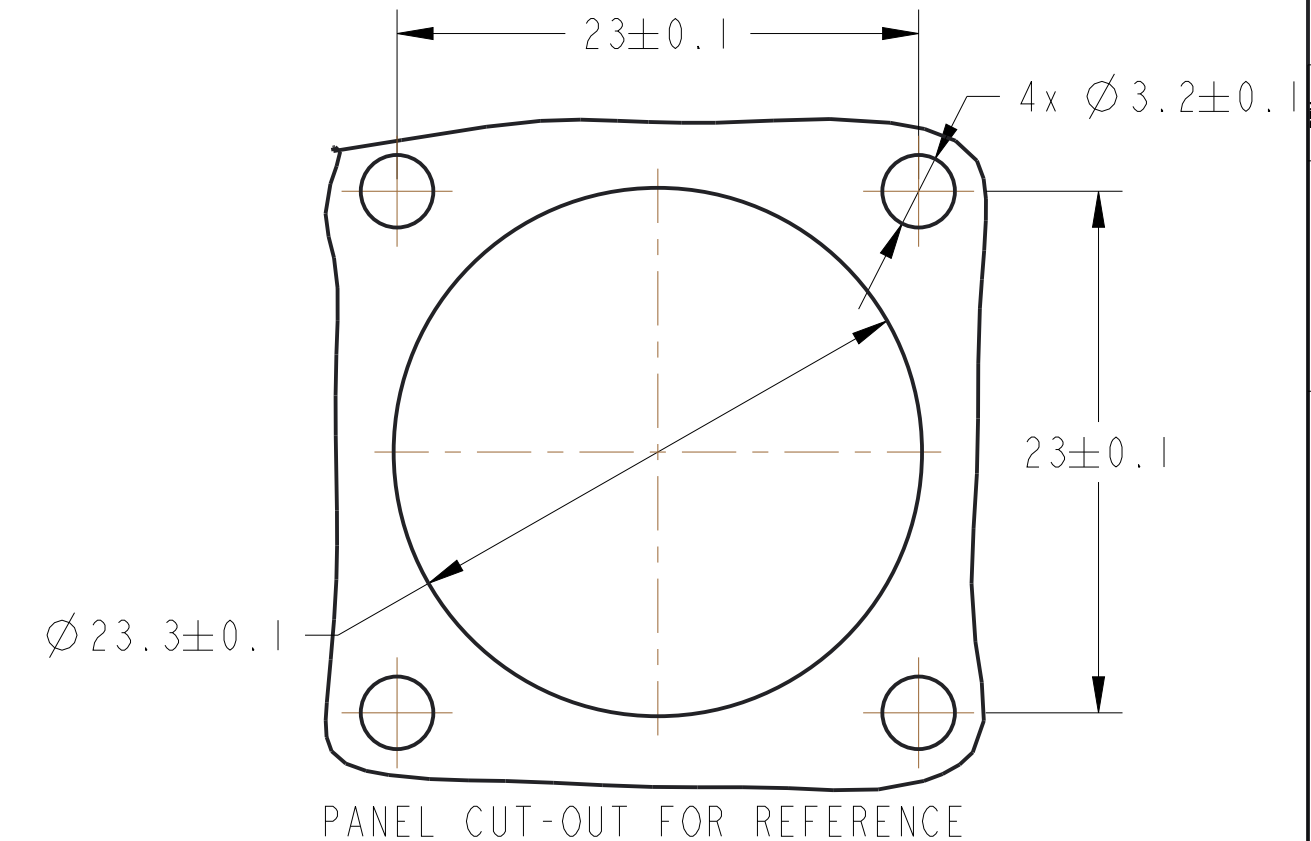
COLOR OF FINGER PROOF HEAD, SEE TABLE

KEYWAY, SEE TABLE

EMI

HVIL

ITEM	DESCRIPTION	CODE NUMBER	MFG NUMBER
COLOR OF FINGER PROOF HEAD	ORANGE	1	O
	BLACK	2	B
	RED	3	R
PIN TYPE	BUSBAR	1	B
	SEALING	IP 67	0
SEALING	NO SEALING	1	N
	KEYWAY (Y°)	90°	0
KEYWAY (Y°)	270°	1	1
	60°	2	2
	120°	3	3
	150°	4	4



SPECIFICATIONS

CURRENT RATING	250 Amps MAX
OPERATING VOLTAGE	1000V DC/AC
OPERATING TEMPERATURE	-40°C-125°C
PROTECTION CLASS	IP67 (MATED)



NOTES:
 1. THE REFERENCED PRODUCT IS IN COMPLIANCE WITH THE MAXIMUM CONCENTRATION VALUES(MCVS) AS SET BY ROHS 2.0 DIRECTIVE 2011/65/EU AND ANNEX II AMENDMENT DIRECTIVE (EU)2015/863.

THIS DOCUMENT CONTAINS PROPRIETARY INFORMATION AND SUCH INFORMATION MAY NOT BE DISCLOSED TO OTHERS FOR ANY PURPOSE OR USED FOR MANUFACTURING PURPOSES WITHOUT WRITTEN PERMISSION FROM THE AMPHENOL CORP.

N/A	PRO/ENGINEER INFORMATION
NEXT ASSEMBLY	Pro/e Model Used:
METRIC DOCUMENT	Drawing Name:
	C10-738726_A.BROAD

UNLESS OTHERWISE SPECIFIED	SPECIFICATIONS	POS	QTY	PART NUMBER	DESCRIPTION	NOTE
LINEAR DIMENSIONS ARE IN: MILLIMETERS	MATERIAL SPEC. N/A	APPROVALS		DATE	PARTS LIST	
TOLERANCES: ANGLES= ±2° DEFAULT LINEAR TOLERANCES SEE TABLE	PROCESS SPEC. N/A	PREPARED BY	GRACE YANG	JUL-06-17	AMPHENOL INDUSTRIAL OPERATIONS	
DIM. & TOL. PER ASME Y14.5M-1994; DRW PER MIL-DTL-31000; OTHER AMPHENOL STANDARDS: 9-9318		ENGINEER IN CHARGE	EVANS JIANG		Amphenol Technology(Zhuhai)Co.,Ltd	
LEGENDS: △=FLAG NOTE CALL OUT REFERENCE ONLY		DESIGN MANAGER	ROB WENG		No.63, Xinghan Road, Sanzao Town, Jinwan, Zhuhai, PRC	
		DESIGN ACTIVITY GROUP	C&I		8.0MM SURLOK PLUS WITH EMI, RECEPTACLE	
		THIRD ANGLE PROJECTION		SIZE C	CAGE CODE 77820	DOCUMENT NO. C10-738726-()
				SCALE: 3.0	REF. N/A	SHEET 1 OF 1

DOCUMENT NO. C10-738726-() SHEET 1 OF 1 REV. A

DOCUMENT NO. C10-738726-() SHEET 1 OF 1 REV. A

X-ON Electronics

Largest Supplier of Electrical and Electronic Components

Click to view similar products for [Heavy Duty Power Connectors](#) category:

Click to view products by [Amphenol](#) manufacturer:

Other Similar products are found below :

[647757-1](#) [6643411-1](#) [6646058-2](#) [6646137-1](#) [6646138-1](#) [6646479-1](#) [6646608-1](#) [6646786-1](#) [6646940-1](#) [6651091-1](#) [6651525-1](#) [6651529-1](#)
[6651788-1](#) [696475-1](#) [73000005059](#) [73000005642](#) [765-15-0080A](#) [765-16-0080B](#) [829992-1](#) [902-77-02113](#) [129-1J](#) [AN0024023](#) [E6374G1](#)
[e6389g2](#) [157-43GW8](#) [MS3117-14AC](#) [1643543-1](#) [1650540-1](#) [1651811-2](#) [1766260-1](#) [1766282-1](#) [1766966-1](#) [1791340000](#) [NLDFT-3-BL-L-](#)
[S120-M40A](#) [NLDFT-N-W-L-C240-M40B](#) [NLS-2-R-C240-M40B](#) [NLS-N-W-C240-M40B](#) [NPS-3-BL-T6](#) [1986615-1](#) [2-1589900-8](#) [2199314-1](#)
[KA8102](#) [9300480317](#) [SBS50BRN#6](#) [29131](#) [29652](#) [1646905-1](#) [1648320-1](#) [1648582-1](#) [1650195-2](#)