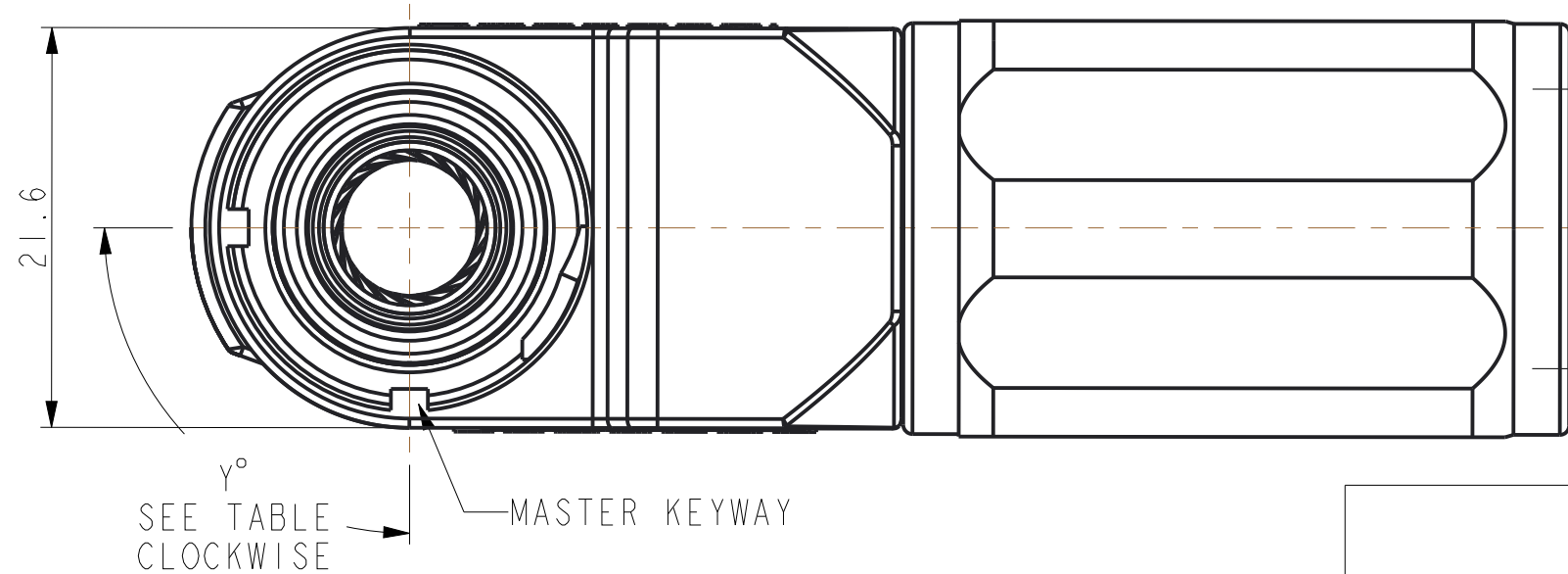
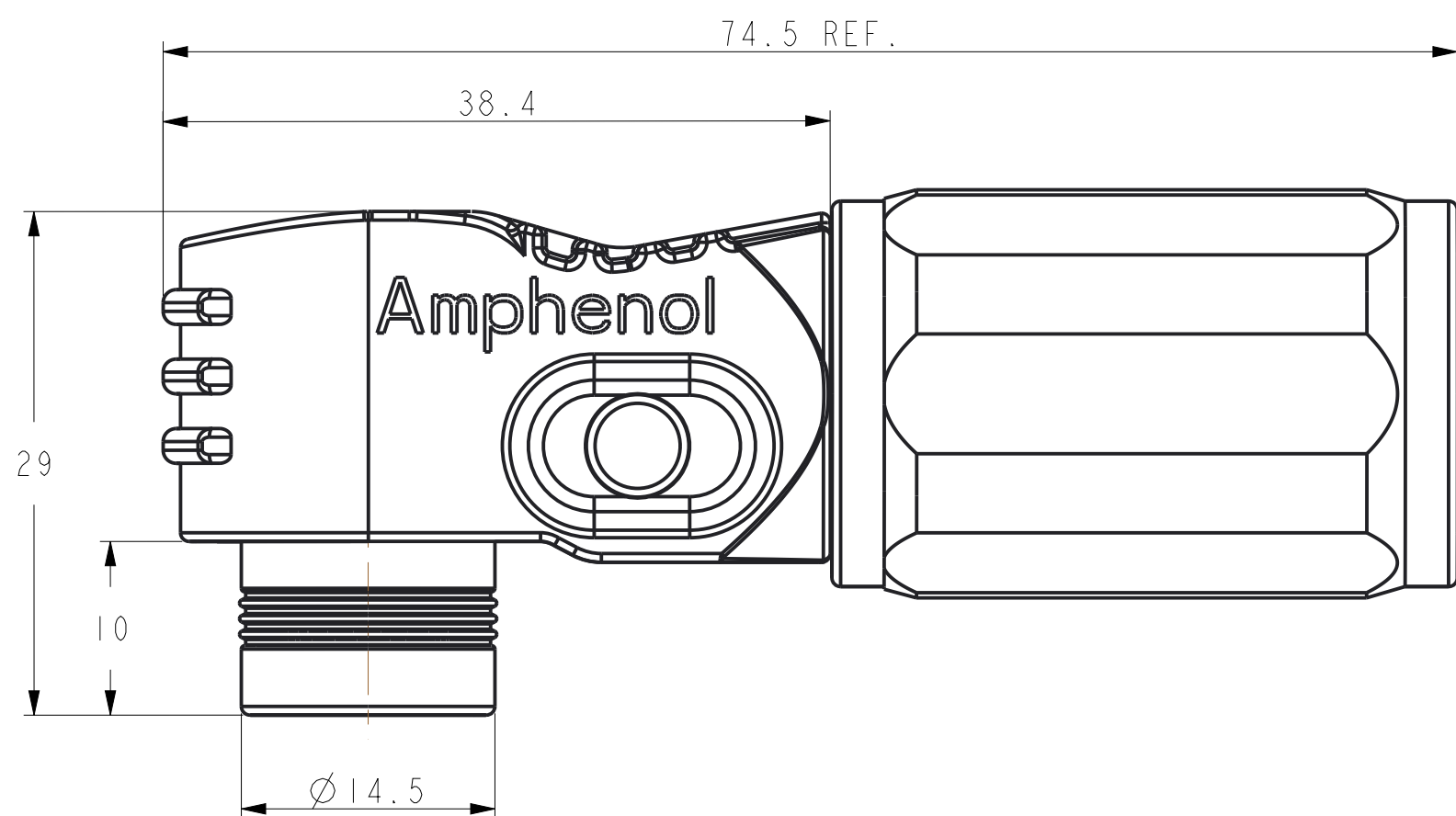


REV. I	SHEET 1 OF 1	DOCUMENT NO. C10-730188-()
REVISIONS		
REV	DESCRIPTION	DATE
E	ADD KEYWAY	2016-04-25
F	ADD RIBS ON THE TOP SIDE	2016-11-09
G	UPDATED CURRENT & TEMP. RATING ADD CABLE RANGE	2016-11-12
H	ADD 25SQMM OPTION	2017-03-10
I	ADD CABLE RANGE	2017-04-26

GENERAL TOLERANCE					
DIM. RANGE	0.5 - 3	> 3 - 6	> 6 - 30	> 30 - 120	> 120 - 400
TOLERANCE	±0.1	±0.1	±0.2	±0.3	±0.5

# CUSTOMER DRAWING



RECOMMENDED CABLE RANGE  
 10.2±0.2MM FOR 25MM2  
 11.5±0.3MM FOR 35MM2  
 13.6±0.3MM FOR 50MM2

MFG PART NUMBER: C10-730188-() () () ()

BASE NUMBER
COLOR, SEE TABLE
WIRE RANGE, SEE TABLE
SEALING, SEE TABLE
KEYWAY, SEE TABLE

CODE NUMBER REFERENCE: SLPPB () B () () ()

BASE NUMBER
WIRE RANGE, SEE TABLE
WITH BACKSHELL
SEALING, SEE TABLE
COLOR, SEE TABLE
KEYWAY, SEE TABLE

SPECIFICATIONS	
CURRENT RATING	120A MAX FOR 25MM2 150A MAX FOR 35MM2 200A MAX FOR 50MM2
OPERATING VOLTAGE	1000V DC
OPERATING TEMPERATURE	-40°C - 125°C
CONTACT RESISTANCE	0.3 mΩ

ITEM	DESCRIPTION	CODE NUMBER	MFG NUMBER
COLOR	ORANGE	O	0
	BLACK	B	1
	RED	R	2
WIRE RANGE	50 MM2 CRIMPING	50	0
	35 MM2 CRIMPING	35	3
	25 MM2 CRIMPING	25	2
SEALING	IP67(MATED)	S	0
	NO SEALING	N	1
KEYWAY (Y°)	NO KEYWAY	BLANK	BLANK
	90°	0	0
	180°	1	1
	60°	2	2
	120°	3	3
	150°	4	4

- NOTES:
1. THE REFERENCED PRODUCT IS IN COMPLIANCE WITH THE MAXIMUM CONCENTRATION VALUES (MCVS) AS SET BY RoHS 2.0 DIRECTIVE 2011/65/EU AND ANNEX II AMENDMENT DIRECTIVE (EU) 2015/863.
  2. IF CHOOSE NO SEALING TYPE, THERE WILL BE NO O-RINGS AND GROMMET.
  3. 25MM2 AND 35MM2 WIRE CRIMP PLUG USE THE SAME CRIMP DIE AS 50MM2, SUPPLIED WITH A PRE-ASSEMBLED CRIMP REDUCER.

THIS DOCUMENT CONTAINS PROPRIETARY INFORMATION AND SUCH INFORMATION MAY NOT BE DISCLOSED TO OTHERS FOR ANY PURPOSE OR USED FOR MANUFACTURING PURPOSES WITHOUT WRITTEN PERMISSION FROM THE AMPHENOL CORP.

N/A	PRO/ENGINEER INFORMATION
NEXT ASSEMBLY	Pro/e Model Used:
METRIC DOCUMENT	Drawing Name:
	10-730188-000.ASSEM
	10-730188.CUS

UNLESS OTHERWISE SPECIFIED	SPECIFICATIONS	POS	QTY	PART NUMBER	DESCRIPTION	NOTE
LINEAR DIMENSIONS ARE IN: MILLIMETERS	MATERIAL SPEC.	APPROVALS		DATE	PARTS LIST	
TOLERANCES: ANGLES= ±2°	N/A	PREPARED BY	ALAN ZHANG	Nov-09-16	AMPHENOL INDUSTRIAL OPERATIONS	
DEFAULT LINEAR TOLERANCES SEE TABLE		ENGINEER IN CHARGE	SEVEN XIE		Amphenol Technology(Zhuhai)Co.,Ltd	
DIM. & TOL. PER ASME Y14.5M-1994; DRG PER MIL-DTL-31000; OTHER AMPHENOL STANDARDS: 9-9318	PROCESS SPEC.	DESIGN MANAGER	ROB WENG		No.63, Xinghan Road, Sanzao Town, Jinwan, Zhuhai, PRC	
LEGENDS: △ = FLAG NOTE CALL OUT REFERENCE ONLY	N/A	DESIGN ACTIVITY GROUP	C&I		8.0MM SURLOK PLUS RIGHTANGLE PLUG	
		THIRD ANGLE PROJECTION		SIZE	CAGE CODE	DOCUMENT NO.
				C	77820	C10-730188-()
				SCALE: 1,0	REF.	SHEET 1 OF 1

DOCUMENT NO. C10-730188-() SHEET 1 OF 1 REV. 1

REV. 1 SHEET 1 OF 1 DOCUMENT NO. C10-730188-()

## X-ON Electronics

Largest Supplier of Electrical and Electronic Components

*Click to view similar products for [Heavy Duty Power Connectors](#) category:*

*Click to view products by [Amphenol](#) manufacturer:*

Other Similar products are found below :

[6646058-2](#) [6646137-1](#) [6646138-1](#) [6646940-1](#) [6651091-1](#) [6651525-1](#) [6651529-1](#) [696475-1](#) [702-32-01109](#) [73080255059](#) [73080965046](#)  
[7310205040001](#) [765-16-0080B](#) [765-18-0080D](#) [902-77-02113](#) [PS00/A0620/6300](#) [AN0024023](#) [154-42B7WM250](#) [MS3117-14AC](#) [1643543-1](#)  
[1766966-1](#) [1791340000](#) [NLDFT-3-BL-L-S120-M40A](#) [NLDFT-N-W-L-C240-M40B](#) [1926015-1](#) [NLS-3-BL-C240-M40B](#) [NLS-N-W-C240-](#)  
[M40B](#) [NPS-3-BL-T6](#) [2-1589900-8](#) [9300480317](#) [294-0091-01100](#) [296-0040-01100](#) [1-6609148-0](#) [A32595-0049](#) [1766249-1](#) [19000005132](#)  
[1926016-1](#) [1-966831-8](#) [AN0024202](#) [AN0264023](#) [279-0841-10100A](#) [281-0334-00100A](#) [RMSB4](#) [419-2083-301](#) [LCDX4/0-14B-X](#) [075-8519-](#)  
[001](#) [078238-1613](#) [07.470.3256.0](#) [09000005288](#) [09140240311](#)