

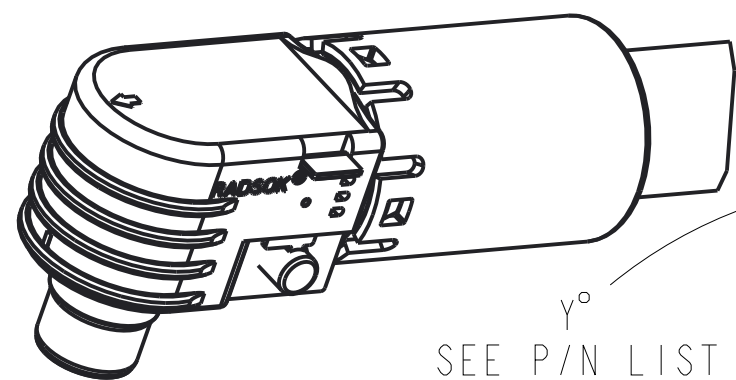
GENERAL TOLERANCE

DIM. RANGE	0.5 ~ 3	> 3 ~ 6	> 6 ~ 30	> 30 ~ 120	> 120 ~ 400
TOLERANCE	±0.1	±0.1	±0.2	±0.3	±0.5

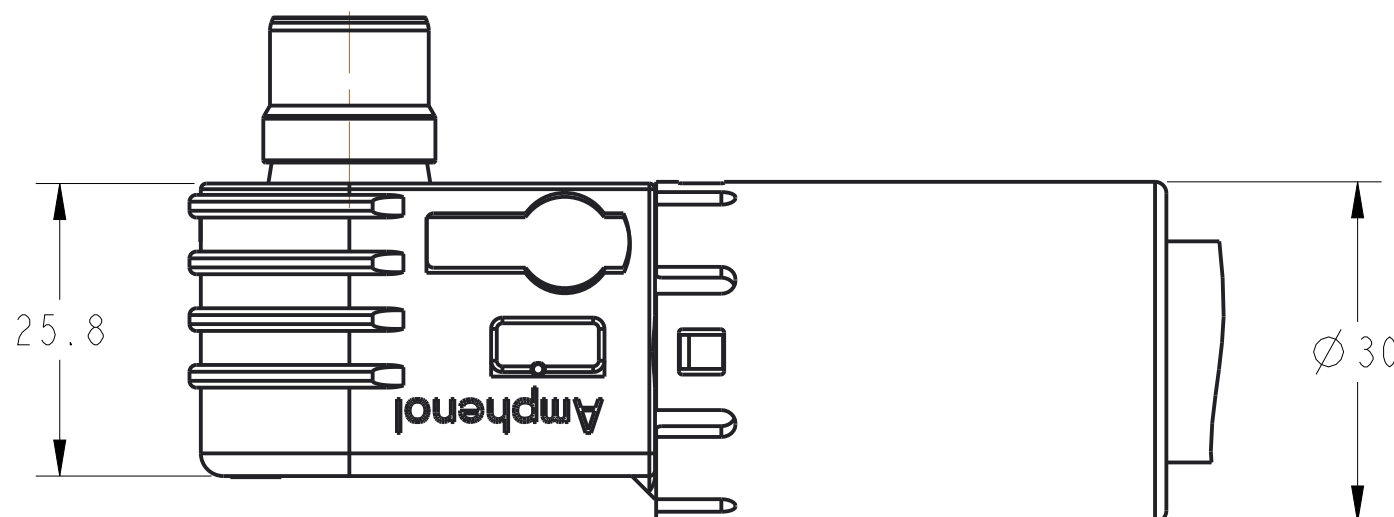
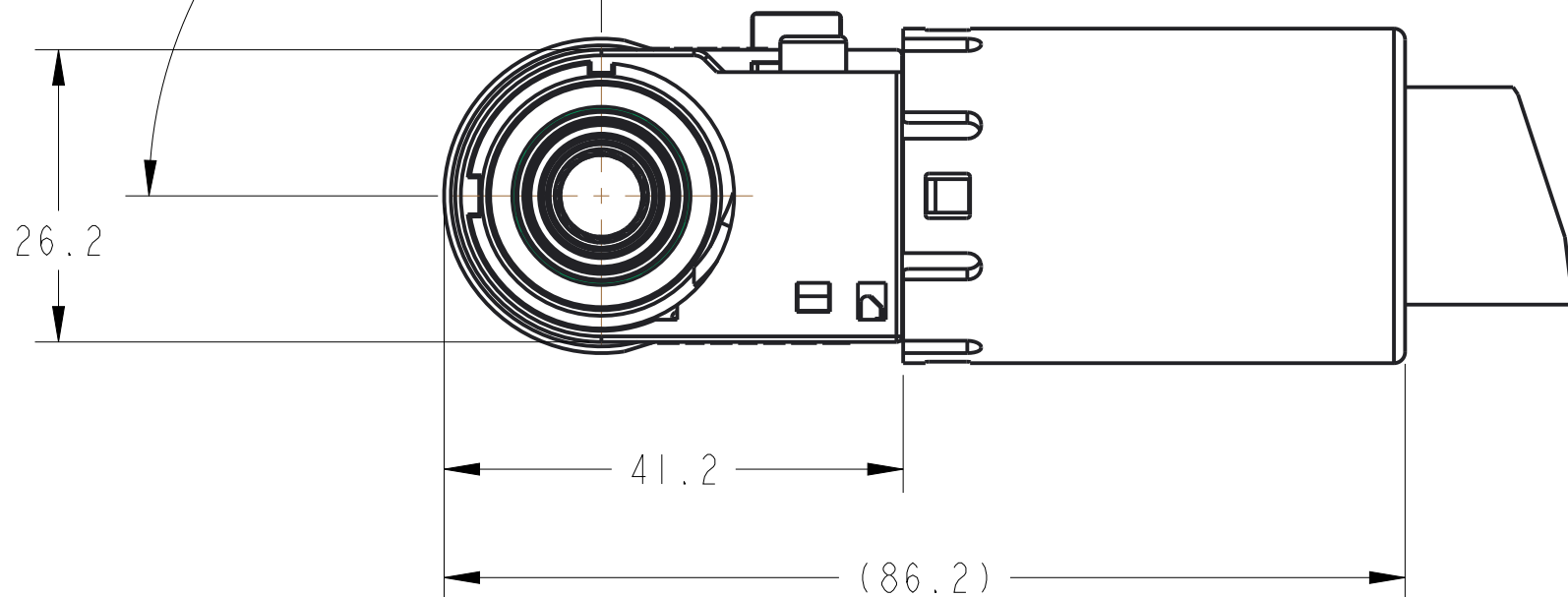
CUSTOMER DRAWING

REVISIONS		
REV	DESCRIPTION	DATE
A	PREMININARY REVISION	2016-07-06

DOCUMENT NO. C10-738728-()
 SHEET 1 OF 1
 REV. A



Y°
SEE P/N LIST
CLOCKWISE



MFG PART NUMBER: C10-738728-() () () ()

BASE NUMBER

COLOR OF BUTTON, SEE TABLE

WIRE SIZE, SEE TABLE

SEALING, SEE TABLE

KEYWAY, SEE TABLE

CODE NUMBER REFERENCE: SLPPB() B () () () E H

BASE NUMBER

WIRE SIZE, SEE TABLE

WITH BACKSHELL

SEALING, SEE TABLE

COLOR OF BUTTON, SEE TABLE

KEYWAY, SEE TABLE

EMI

HVIL

ITEM	DESCRIPTION	CODE NUMBER	MFG NUMBER
COLOR OF BUTTON	ORANGE	1	O
	BLACK	2	B
	RED	3	R
WIRE SIZE	70 MM^2	7	70
	50 MM^2	5	50
	35 MM^2	3	35
SEALING	IP 67	0	S
	NO SEALING	1	N
KEYWAY (Y°)	90°	0	0
	270°	1	1
	60°	2	2
	120°	3	3
	150°	4	4

SPECIFICATIONS

CURRENT RATING	250 Amps MAX (C10-738728-X7XX) 200 Amps MAX (C10-738728-X5XX) 150 Amps MAX (C10-738728-X3XX)
OPERATING VOLTAGE	1000V DC/AC
OPERATING TEMPERATURE	-40°C-125°C
PROTECTION CLASS	IP67 (MATED)

NOTES:
1. THE REFERENCED PRODUCT IS IN COMPLIANCE WITH THE MAXIMUM CONCENTRATION VALUES(MCVS) AS SET BY ROHS 2.0 DIRECTIVE 2011/65/EU AND ANNEX II AMENDMENT DIRECTIVE (EU)2015/863.

THIS DOCUMENT CONTAINS PROPRIETARY INFORMATION AND SUCH INFORMATION MAY NOT BE DISCLOSED TO OTHERS FOR ANY PURPOSE OR USED FOR MANUFACTURING PURPOSES WITHOUT WRITTEN PERMISSION FROM THE AMPHENOL CORP.

N/A	PRO/ENGINEER INFORMATION
NEXT ASSEMBLY	Pro/e Model Used:
METRIC DOCUMENT	C10-738728.PLUG.ASSEM
	Drawing Name:
	C10-738728-ABROAD

UNLESS OTHERWISE SPECIFIED	SPECIFICATIONS	POS	QTY	PART NUMBER	DESCRIPTION	NOTE
LINEAR DIMENSIONS ARE IN: MILLIMETERS TOLERANCES: ANGLES= ±2° DEFAULT LINEAR TOLERANCES SEE TABLE	MATERIAL SPEC. N/A	APPROVALS	DATE	PARTS LIST		
DIM. & TOL. PER ASME Y14.5M-1994; DRM PER MIL-DTL-31000; OTHER AMPHENOL STANDARDS: 9-9318	PROCESS SPEC. N/A	PREPARED BY: GRACE YANG	JUL-06-17	AMPHENOL INDUSTRIAL OPERATIONS Amphenol Technology(Zhuhai)Co.,Ltd No.63, Xinghan Road, Sanzao Town, Jinwan, Zhuhai, PRC		
LEGENDS: △=FLAG NOTE CALL OUT REFERENCE ONLY		ENGINEER IN CHARGE: EVANS JIANG		8.0MM SURLOK PLUS WITH EMI, PLUG		
		DESIGN MANAGER: ROB WENG		SIZE: C	CAGE CODE: 77820	DOCUMENT NO.: C10-738728-()
		DESIGN ACTIVITY GROUP: C&I		SCALE: 1.5	REF: N/A	SHEET 1 OF 1
		THIRD ANGLE PROJECTION				REV. A

REV. A
 SHEET 1 OF 1
 DOCUMENT NO. C10-738728-()

FORMAT: C-L-E-Rev-B

X-ON Electronics

Largest Supplier of Electrical and Electronic Components

Click to view similar products for [Heavy Duty Power Connectors](#) category:

Click to view products by [Amphenol](#) manufacturer:

Other Similar products are found below :

[647757-1](#) [6643411-1](#) [6646058-2](#) [6646137-1](#) [6646138-1](#) [6646479-1](#) [6646608-1](#) [6646786-1](#) [6646940-1](#) [6651091-1](#) [6651525-1](#) [6651529-1](#)
[6651788-1](#) [696475-1](#) [73000005059](#) [73000005642](#) [765-15-0080A](#) [765-16-0080B](#) [829992-1](#) [902-77-02113](#) [129-1J](#) [AN0024023](#) [E6374G1](#)
[e6389g2](#) [157-43GW8](#) [MS3117-14AC](#) [1643543-1](#) [1650540-1](#) [1651811-2](#) [1766260-1](#) [1766282-1](#) [1766966-1](#) [1791340000](#) [NLDFT-3-BL-L-](#)
[S120-M40A](#) [NLDFT-N-W-L-C240-M40B](#) [NLS-2-R-C240-M40B](#) [NLS-N-W-C240-M40B](#) [NPS-3-BL-T6](#) [1986615-1](#) [2-1589900-8](#) [2199314-1](#)
[KA8102](#) [9300480317](#) [SBS50BRN#6](#) [29131](#) [29652](#) [1646905-1](#) [1648320-1](#) [1648582-1](#) [1650195-2](#)